



Bush-Whacker®

TOUGH ON GRASS, EASY ON YOUR WALLET



2021

OPERATOR'S MANUAL & PARTS BOOK

SSM-72

BRUSH CUTTER SKID STEER ATTACHMENT

Welcome

Thank you for selecting the Bush-Whacker SSM-72 Rotary Mower. Your machine has been carefully inspected by both the factory and the dealership prior to being received by you to ensure that it is ready for operation.

This manual explains the proper operation of your machine. It is very important that you read and understand these instructions before operating or maintaining the machine. Failure to do so could result in personal injury or even death to you or passersby. Consult your Bush-Whacker dealership if you do not understand the instructions in this manual or need additional information.

Hall Manufacturing, Inc. reserves the right to make changes at any time without notice or obligation. Additional copies of the manuals are available from your local Bush-Whacker dealer.

Hall Manufacturing, Inc.
3706 E. Washington Ave., P.O. Box Drawer 5638
North Little Rock, AR 72119
(501)945-7550

Table of Contents

Introductory Page	2
Safety Section	4-11
General Safety Instructions and Warnings.....	4
Decals Placement.....	5
Operations.....	6-7
Attaching/Detaching Cutter.....	8
Rollover.....	8-9
Rotating Blades.....	9
Hydraulics.....	10-11
Maintenance.....	12-14
General Maintenance.....	12
At Least Twice Daily.....	12-13
Daily.....	13-14
Every 1,000 Hours or Annually.	14
Pre-Start Checklist.....	15
Mowing Instructions.....	16
Parts book.....	17-23
Warranty Information.....	25-26
Warranty Registration Card.....	27

General Safety Instructions and Warnings



Attention

Important Safety Information

Read and Study this safety information BEFORE operating this equipment.



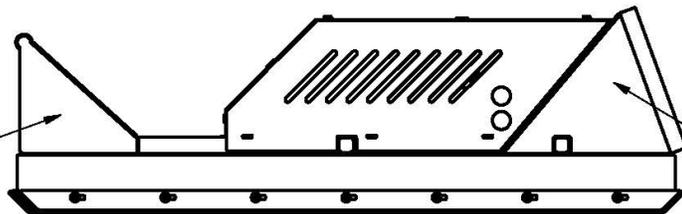
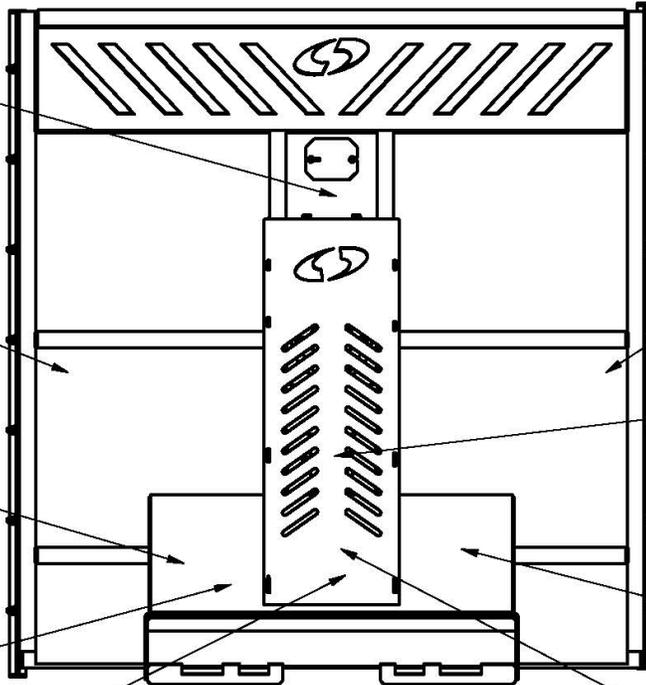
The use of common sense and reasonable safety precautions are a must in the operation of this equipment. Think Safety – Accident prevention is dependent upon the personnel involved in the operation, transport, and maintenance of the equipment. To minimize the chance of accidents, serious injury, or even death; Safety Precautions Must Be Followed! **FAILURE TO FOLLOW SAFETY INSTRUCTIONS AND FAILURE TO USE COMMON SENSE COULD RESULT IN SERIOUS INJURY AND/OR DEATH TO THE OPERATOR, BYSTANDERS, PASSERSBY, OR ANIMALS IN THE AREA.**



Safety Decals Information

- Always keep the area around safety decals clean and free of debris so that they can be easily seen and read.
- When installing new components to the equipment, it is necessary to obtain new safety decals from your Bush-Whacker dealer and adhere them promptly and properly.
- Always keep safety decals clean, using soap and water. Do not use abrasive cleaners because they could cause damage to the decals.
- If the safety signs get damaged, or are missing, contact your local Bush-Whacker dealer to order replacements for them.
- In order to replace the safety decals, the equipment must be clean and dry. Then remove the adhesive backing and place it on the equipment.

Safety Decals



SSM-72 Master Decal Sheet - 6270

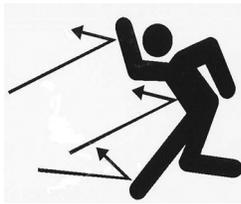
Safety Warnings

Operations

NEVER operate a rotary mower with a person or animal in the area. The blades may throw objects for great distances and can strike a person, passerby, or animal causing serious injury or death.



Stop operation of the machine for a passerby or if someone appears to be approaching the area. Objects can be thrown for hundreds of yards at great speed.

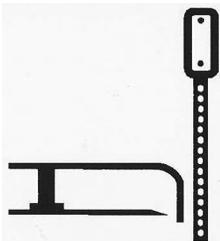


ALWAYS inspect the deflector shields and/or chain guards daily to ensure that they are in proper working order and that no chains are missing. If the deflector shields or chain guards are not operating correctly, chain links are missing, or the complete deflector shields or chain guards assembly is missing, do not operate the mower. **NEVER OPERATE THE MOWER WITHOUT CHAIN GUARDS OR DEFLECTORS IN PROPER**

Rocks, gravel, wire, rope, bricks, or similar objects are potential hazards for rotary mowers operation. These items can cause damage to the machine; but more importantly, they can be ejected from underneath the mower at very high speeds, resulting in property damage, injury or even death. Always inspect the mowing area prior to the operation of any rotary mower. If any of these objects or similar objects are found, remove them immediately before operation.



EXTREMELY IMPORTANT—Make sure all hydraulic shields are in place and tightened before operating the mower. If one works loose, stop mowing and tighten immediately. **NEVER OPERATE THE MOWER WITHOUT ALL HYDRAULIC SHIELDS PROPERLY INSTALLED. OPERATION WITHOUT SAFETY SHIELDS MAY CAUSE SERIOUS INJURY OR DEATH.**



Avoid hitting hard solid objects such as large rocks, concrete culverts, guard rails, etc. This could cause serious damage to the machine. Broken machine parts or pieces of the object can be thrown at very high speeds. This could result in serious injury or death to persons at a considerable distance from the rotary mower.

NEVER ALLOW ANYONE TO RIDE ON THE MOWER OR THE SKID-STEER. This equipment, if not operated properly, could be potentially dangerous; therefore, **NEVER ALLOW A CHILD TO OPERATE A ROTARY MOWER.**



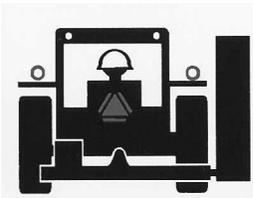
Safety Warnings

Operations



Thoroughly examine the rotary mower each day before operating. Tighten loose bolts, nuts, and hydraulic fittings. Replace all damaged or broken parts, including hydraulic hoses. If rotary mowers are not kept in proper working order, they could be damaged and this could result in serious injury.

NEVER engage in repair work under the mower deck or any other part of the mower that is raised off the ground until the mower is safely and securely supported in the raised position. Inadequate support can result in the mower falling, which could result in serious injury or death.



Use **proper signage** around working area. This will help the operator have a safe place to work, and help passers by to take appropriate precautions.

Use the proper **reflective devices** on the equipment to help prevent accidents.

Make sure that all rules of the road are followed, and Slow Moving Vehicle (SMV) rules are also observed



Always inspect the area before mowing for potential mower hazards. Remove or avoid all foreign objects such as wire, cable, metal objects, and all other foreign material. **Failure to do so could result in serious injury to the operator or passerby from foreign material being thrown from the mower.**

Safety Warnings

Attaching/Detaching Cutter

If operating along roadway, keep equipment within the **lane closest to the work area**. Never operate equipment against the flow of traffic, which could possibly result in a head-on collision causing serious injury or death.



Never use equipment around railroad tracks without direct railway supervision. Inexperience in railway operations may cause loss of communications, loss of signals, rail and tie damage or derailment.



NEVER cross railway tracks anywhere other than at normal traffic crossings. Unauthorized machinery on railways are in extreme danger of being struck by locomotives and railway machinery resulting in damaged equipment, serious injury or death.

Before approaching any rotary mower or before dismantling the machine, always make sure of the following:

The transmission is in the parking gear, and the parking brake is set to keep the machine from moving while unattended.

The skid-steer auxiliary hydraulic flow is off.

The engine has stopped, the key is out of the ignition, and all moving parts (both skid-steer and mower) have completely stopped. **The rotating parts of the rotary mower may continue to rotate after the auxiliary hydraulics have been turned off.**



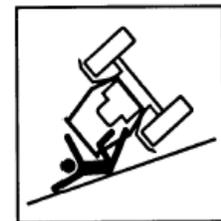
THE OPERATOR SHOULD REMAIN SEATED UNTIL ALL MOVEMENT HAS CEASED!



NEVER WORK ON THE ROTARY MOWER WITH THE POWER ON.

Rollover

Care must be taken when operating on uneven terrain, ditches, or embankments. The chances of the skid-steer and/or mower rolling over are increased. Also, the chance of objects being thrown by the blade are increased when operating under these adverse conditions.



Safety Warnings

Rollover



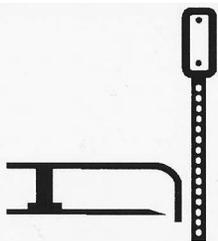
Never operate the equipment without the **Roll-Over Protective Structure (ROPS) and without a seat belt**. These items prevent injury in a roll-over accident. It is also highly recommended to wear protective equipment such as a hard hat, safety glasses, safety shoes, and ear plugs.

OPERATE CAREFULLY! It is important to slow down when turning and when going down slopes. Doing so could result in a roll over and injury, or possibly death, to the operator.



Rotating Blades

Stay away from rotating blades. **Keep hands and feet clear of rotating blades and discharge areas at all times.** Never get close to the blades until **all motion has stopped and machine is turned off.**



Never allow **rotating blades to contact solid objects** like rocks, posts, curbs or guard rails. **Only operate if all guards and deflectors are in place and in good working condition.**

Never operate equipment with loose blades. Retighten after the first 8 hours of use and after blade replacement.

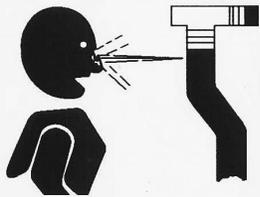


- Never operate with mower deck raised if bystanders or traffic are in the area. This helps to prevent injury or death from objects thrown by the blades.
- Stop cutting if someone comes within 300 feet. **DO NOT operate equipment with bystanders in the area!** Rotary mowers have the ability to throw debris considerable distances when blades are allowed to strike foreign objects. Operator must exercise caution or serious injury or even death could result.

Safety Warnings

Hydraulics

Relieve all pressure in the hydraulic lines by setting the mower deck on the ground, shutting the skid-steer off, and actuating lift valve handles before disconnecting hoses. This relief of pressure will reduce possibility of serious injury from spewing hydraulic fluid.



Frayed, torn, or crimped hoses may rupture and spray boiling oil onto Operator and cause serious bodily injury from scalding.



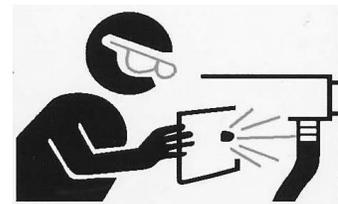
Failure to inspect and repair or replace hoses may cause worn hoses to **rupture suddenly** and **violently** resulting in **serious bodily injury** from **scalding or fire** with resulting burn injury or death.

Boiling oil may spray onto hot parts and **catch fire** causing severe burn injury or death.



Inspect hoses daily and repair or replace when needed. Stop all leaks. Repair or replace hoses as indicated to prevent unexpected failure and possible serious injury to operator or bystander.

Use paper or cardboard to check for leaks. Never use your hand. If **oil penetrates skin**, gangrene or other serious injury could occur. **If skin is penetrated by hydraulic fluid, get immediate medical attention.**



Under no circumstances should any adjustments be made to the hydraulic system on the cutter. Adjustments could result in severe injury or death!

*Hydraulic system flow rate is preset at 18 or 25 gpm and is non-adjustable

*Hydraulic relief valve set at 3000 psi and should not be adjusted

*If flow valve requires service, contact Bush-Whacker for factory authorized replacement parts

*******Under no circumstances should the hydraulic flow valve be adjusted. Changing relief valve pressure could damage equipment and result in severe injury or death*******

Safety Warnings

Hydraulics

Care must be taken to ensure that the hydraulic lines are connected correctly and the auxiliary hydraulic reverse is locked out. The cutter hydraulic system is not designed to operate in reverse. Operating the hydraulic system in reverse will not produce a satisfactory cut and can cause overheating of the skid steer machine, causing damage to the equipment and cause in severe burns.

Safety Conclusion

Now that the operator has read the information provided in this manual; he or she should now be aware of how dangerous a rotary mower can be if operated improperly. It is important that the operator of this equipment should be cautious, conscientious, and use common sense when operating this equipment in order to avoid serious injury and or death to the operator, support personnel, passersby, or animals.

**Safety
Depends on You!**

General Maintenance

Refer to skid-steer's service manual for proper skid-steer maintenance.

NEVER service the mower with the power on, except where otherwise stated.

Before working on a mower always check to see that:

- The skid-steer's transmission is in the parking gear and the parking brake is set to keep the skid-steer from moving while unattended.
- The skid-steer auxiliary hydraulic system is turned off.
- The engine is off and all moving parts (both skid-steer and mower) have completely stopped.

The rotating parts of the skid-steer and mower continue to rotate after the auxiliary hydraulics have been disengaged. The operator should remain seated until all movement has ceased.

Never engage in repair or service work under the mower deck or any other part of the mower that is raised off of the ground until the mower is safely and securely supported in the raised position.

Use extreme caution when working on a mower. Many of the parts are heavy and sharp and can cause serious injury if they are dropped or fall on the operator or bystander.

The blades are very sharp and can pivot. Use extreme caution when performing maintenance on them. Failure to do so could result in serious injury or possibly even death.

Always use genuine Bush-Whacker replacement parts, available through the network of authorized dealers. The use of non-OEM parts will void the warranty of this machine. Non-OEM parts, specifically blades and blade bolts, may not meet Hall Manufacturing Inc. specifications and could lead to serious injury or death.

At Least Twice Daily

Rotor Bar Assembly, Blades, Blade Bolts, and Nuts

- Check blades for any signs of cracking or damaged cutting surfaces. If a blade is cracked, replace the set at once. **DO NOT** operate the mower at any time with a cracked or severely damaged blade! If a blade breaks, it could cause severe injury or possibly death.
- Check if blade cutting surfaces are dull. If they are, re-sharpen or replace blades.
- Check if blade bolts and nuts are loose, cracked or damaged. **DO NOT operate the mower with any of those characteristics.** Any of these conditions could allow the blade to come loose and could cause injury or possibly death. Always keep the blade bolts and nuts tightened to 350 ft. lbs. of torque.
- **DO NOT** operate the mower with just one blade.

At Least Twice Daily

Rotor Bar Assembly, Blades, Blade Bolts, and Nuts

- Make sure rotor bar assembly is securely attached with castle nut and cotter pin to the output shaft. There should be no bearing play when rocking the blade bar.
- Always make sure to replace the blades in sets.

NOTE: When mowing at low cutting heights or on uneven terrain, the blades can come in contact with the ground frequently. When this happens, the blade tips can be pushed upwards causing the blade to bend. By pushing upwards on the blade tip, the rear of the blade (at the bolt hole) is forced downward away from the rotor bar assembly. This causes the bolt to be pulled through the bar and can cause it to shear. When the bolt shears, it will throw a blade. When operating in these conditions, the operator must check the blade bolts more frequently than normal, at least four times a day.

Always use genuine Bush-Whacker replacement blades, bolts, and nuts. Other blades may not meet Hall Manufacturing specifications and could lead to serious injury or death.

Daily

Shields

- Make sure ALL shields are in place and tightened before operating the mower. If one works loose, stop mowing and tighten immediately.
- Replace shields if there is any damage or excessive wear.

Hydraulics

- Inspect the Hydraulic Shields, making sure that they are installed and working properly. If shields become damaged or loose during operation, stop immediately and fix or replace them.
- Inspect output shaft for vines, wire, rope, etc. that may collect around the shaft and tear up the output seal. If a seal is leaking, replace it, or risk overheating and severe damage to the hydraulic motor.
- Check the mounting bolts and nuts to be sure that they are correctly secured. If left unchecked, it could cause excessive vibrating which could damage the equipment.
- Check the hydraulic hoses for damage and tightness. If a hose is leaking, replace it, or damage to the hydraulic system on the mower and the skid-steer could occur.
- Hydraulic flow manifold has no serviceable parts. If hydraulic problems occur, contact Bush-Whacker for replacement parts.

Daily

Pins, Bolts, and Nuts

- Inspect all pins, bolts, and nuts, making sure that they are all in place and secure. Look for loose fasteners and tighten to the proper torque, as required.

Skid Shoes

- Check for any wear or damage, replace if required.

Frame

- Look for any structural cracks, damage and wear.
- Keep the equipment clean. Inspect for debris caught in the machine, especially at all pinch points.

Every 1,000 Hours or Annually

It is recommended to do annual, pre-season maintenance at the end of each operating season, rather than at the beginning.

The mower should be stored in the off-season **cleaned, inspected and repaired**. This will help prevent any rust forming on the mower's surfaces and contaminants damaging the hydraulic components.

Pre-Start Check List

The pre-start check lists are provided to the operator to ensure that minor problems do not turn into major ones. Failure to perform these check lists may cause injury to both the operator and bystanders as well as extensive damage to the machine. If a problem is discovered it must be fixed immediately before continuing operation.

Before Machine is Turned On

1. Check fluid levels
2. Look for any pinched or worn hoses
3. Inspect mower discharge guards for excessive wear
4. Look for any structural cracks
5. Inspect for debris caught in the machine.
6. Inspect blades and blade bolts for excessive wear
7. Check all bolts and nuts are tightly secured
8. Make sure the hydraulic shields are securely fastened
9. Ensure the auxiliary hydraulics reverse function is locked out.

After Machine is Turned On

1. Look for hydraulic fluid leaks.
2. Check hydraulic fluid temperature (periodically)
3. Ensure that the machine and skid-steer are stable

Refer to Maintenance section in this manual for more details.

Mowing Instructions

IMPORTANT: Please refer to the safety section for important warnings concerning the operation of this equipment.

It is normal to encounter various road side terrains and obstacles during any mowing operation. This can be compensated simply by manipulating the mower to move the machine out of the way of these obstacles.

It is important to note that the skids of the mower should lightly skim the ground. Never let the mower deck drag heavily on the ground. This will cause scarring and rutting of the ground as well as damage to the machine.

When mowing roadside, always keep the discharge chute of the mower facing away from all traffic to prevent injury from thrown objects.

When mowing roadside grasses, it is important to select a suitable ground speed for the various types of grasses. Coarse, tall grasses will require a slower ground speed than fine, short grasses.

When mowing along roadsides it is important that you should not unnecessarily impede the flow of traffic. This could cause injury or even death to the operator or passers by. On narrow roads where there are not sufficient shoulders to drive on, pull over at regular intervals to let traffic pass. If this is not possible a front and rear flagman or escort is strongly recommended.

The operator should be on alert for hidden obstacles such as fence posts, guide wires, and water hydrants hidden by vegetation overgrowth anytime while operating equipment. It is important that all trash and debris be removed from the mowing site prior to mowing. Failure to do this could cause serious injury or even death.

The cutting down of small unwanted trees can be accomplished in two ways. The first way is to place the skid-steer in neutral with the brakes applied and lower the cutter slowly onto the tree. This process shatters the stump which prevents future growth. The larger pieces can be mulched up by moving the cutter over the debris path.

The second way to mow down small saplings is to simply raise the cutter and mow while the skid-steer is moving slowly. This method might require the operator to mow in reverse to clean up any uncut debris. It is important to remember that passers by should not be within 300 feet of the mower during operation.

Vines and large patches of bushes can be cut using the strategy similar to that of cutting saplings. Raise the cutter above the mass of vines and bushes and lower it into the mass. It is important to watch for possible debris hidden within the vines and bushes. This procedure should be repeated until the desired amount of vegetation has been removed.

PARTSBOOK

This part of the manual contains part numbers and illustrations based on the latest information available at the time of print.

Hall Manufacturing, Inc. reserves the right to make changes at any time without notice or obligation. Additional copies of the manuals are available from your local Bush-Whacker dealer.

Hall Manufacturing, Inc.
3706 East Washington
P.O. Box Drawer 5638
North Little Rock, AR 72119
(501) 945-7550

Always use genuine Bush-Whacker replacement parts, available through the network of authorized dealers.

Explanation of the terms in the Partsbook

Ref. No.—Refers to the numbered parts in illustration

Part No.—Refers to the part number of the part. This is what you use when ordering new parts as well as description and quantity.

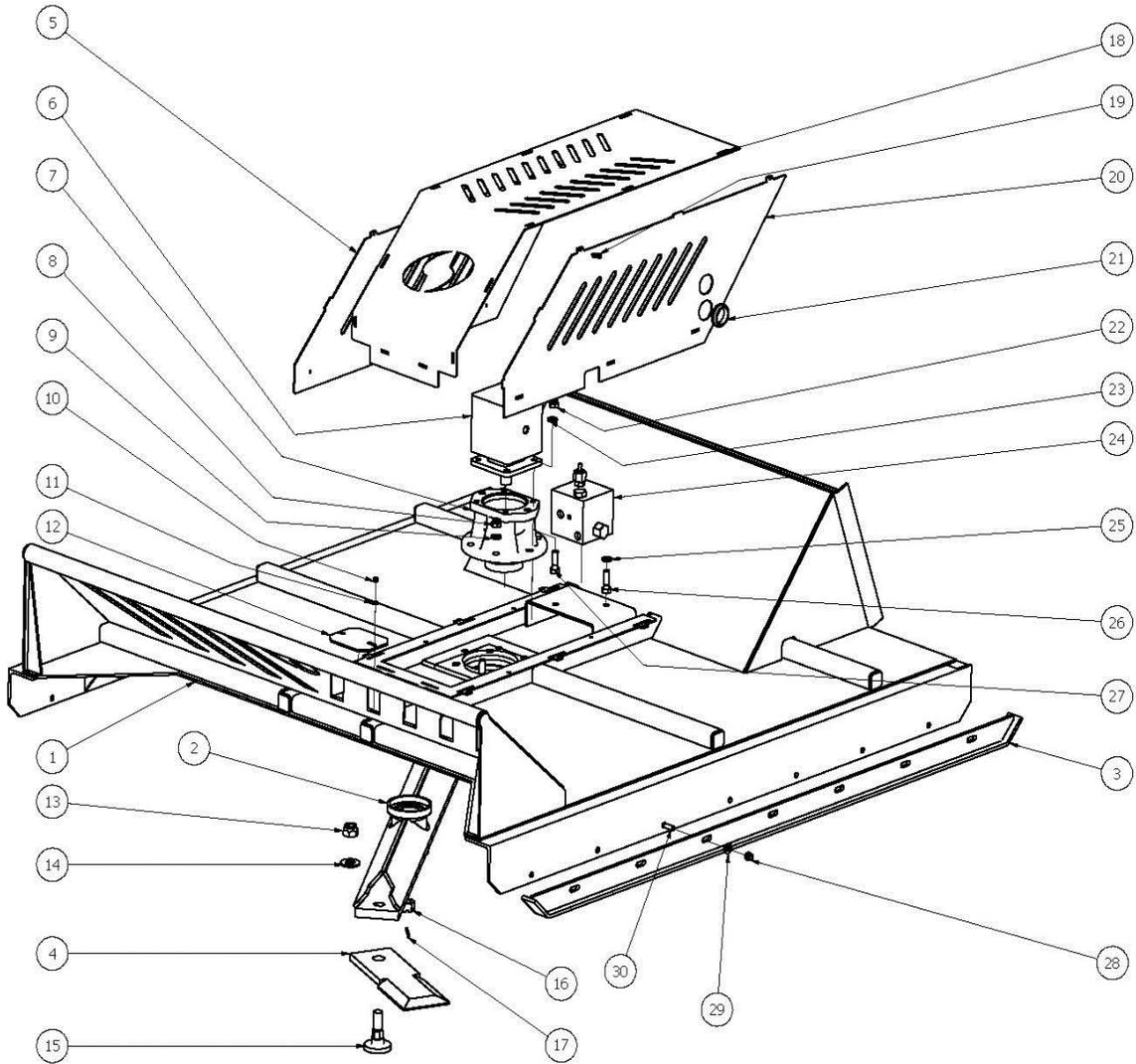
Description—Gives the description of the part

Qty—Quantity listed for each component on the illustration, not the total quantity of that part used on the entire machine.

SSM-72 ASSEMBLY BREAKDOWN

Ref. No.	Description	Page Number
1	Safety Decals	5
2	Deck Assembly	18
3	Overhung Load Adapter	20
4	Hydraulic System	22

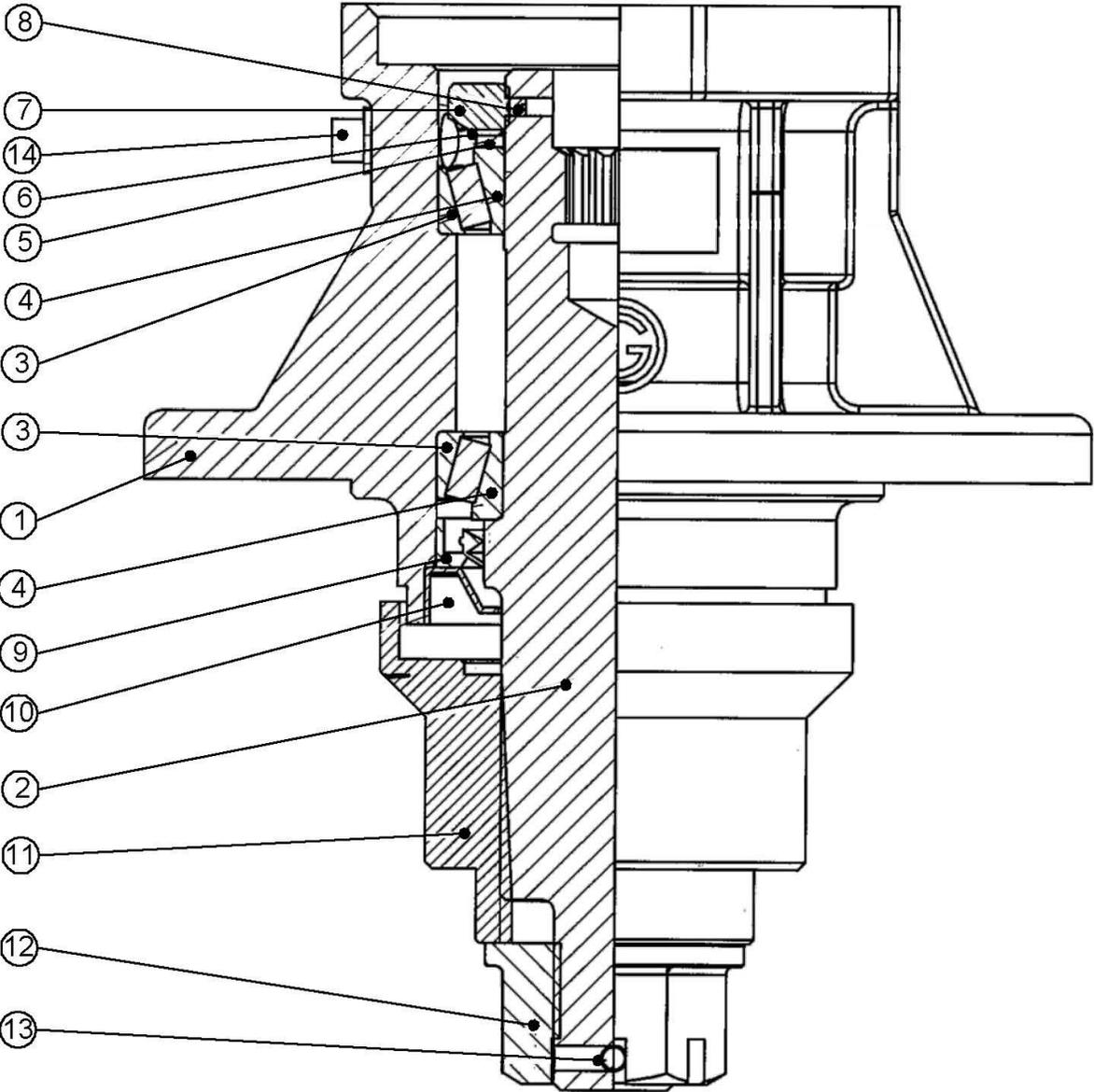
Deck Assembly



Deck Assembly Parts List

Ref. No.	Part No.	Description	Qty	Remarks
1	6170	Deck Assembly	1	
2	6599	Blade Bar Assembly	1	
3	6172	Skid Shoe Assembly	2	
4	4329	Blade	2	
5	6170-32	Guard Right	1	
6a	6606	Hydraulic Motor - 22gpm	1	
6b	6607	Hydraulic Motor - 17gpm	1	
6c	6508	Hydraulic Motor - 33gpm	1	
7	6290	Overhung Load Adapter	1	p. 20
8	6622	Hex Nut TopLock	6	
9	5164	Lock Washer	6	
10	2513	Hex Nut Nylock	2	
11	3415	Flat Washer	2	
12	3083	Blade Inspection Plate	1	
13	2105C	Hex Nut TopLock	2	
14	5803	Lock Washer	2	
15	3095	Blade Bolt	2	
16	6302	Castle Nut	1	
17	6303	Cotter Pin	1	
18	6170-33	Guard Top	1	
19	6285	Lynch Pin	12	
20	6170-32L	Guard Left	1	
21	6612	Grommet	2	
22	6613	Hex Nut TopLock	4	
23	2733	Lock Washer	6	
24a	6255	Hydraulic Manifold - 17gpm	1	
24b	6291	Hydraulic Manifold - 22gpm	1	
24c	6509	Hydraulic Manifold - 33gpm	1	
25	2733	Lock Washer	6	
26	4256	Hex Bolt	2	
27	6614	Hex Bolt	4	
28	2336	Hex Nut Nylock	14	
29	2337	Flat Washer	14	
30	2335	Hex Bolt	14	

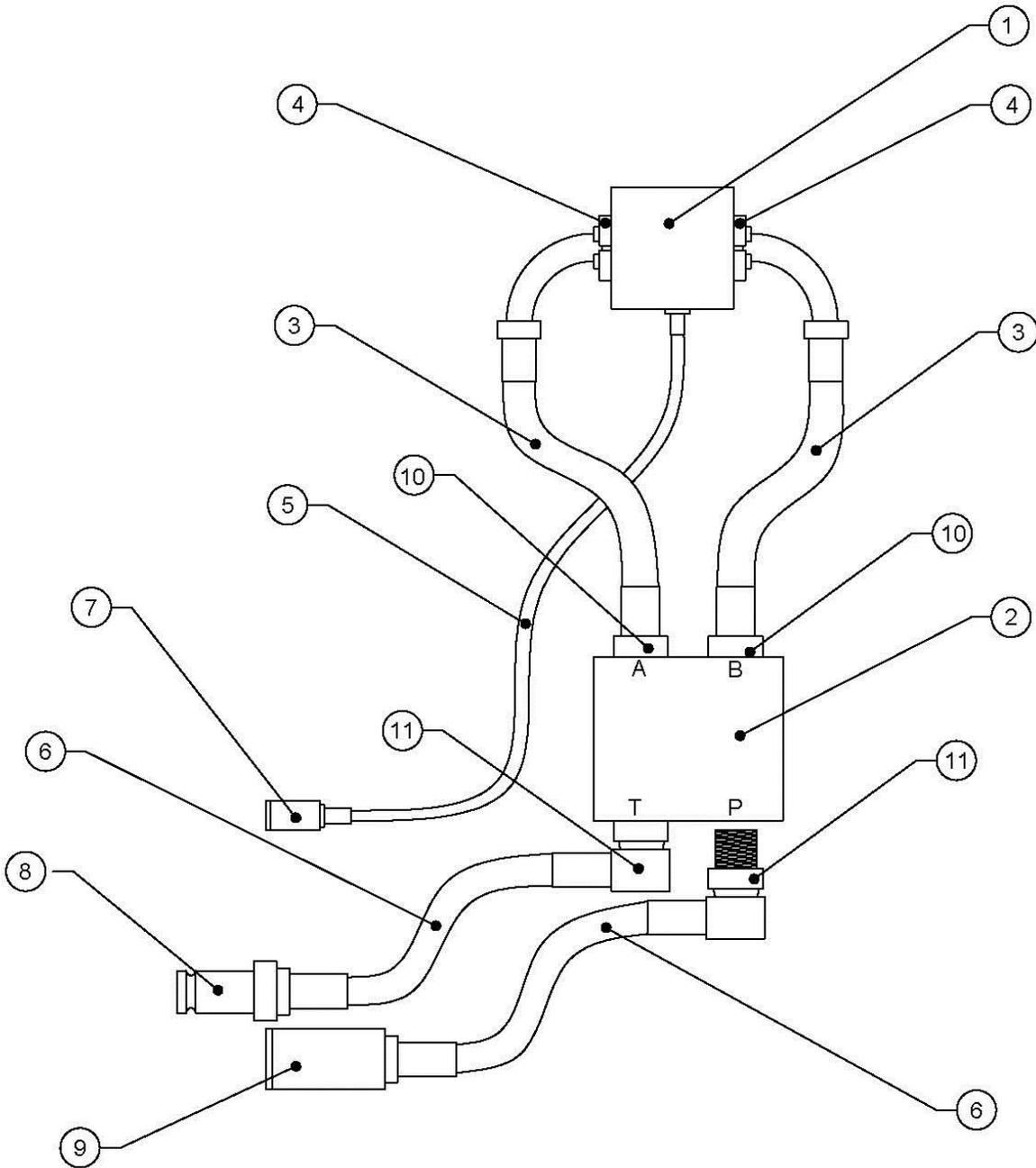
Overhung Load Adapter



Overhung Load Adapter Parts List

Ref. No.	Part No.	Description	Qty	Remarks
	6290	Complete Overhung Adapter Assembly	1	
1	6293	Housing	1	
2	6294	Shaft	1	
3	6295	Bearing Cup	2	
4	6296	Bearing Cone	2	
5	6297	Washer with tang	1	
6	6298	Lock washer	1	
7	6299	Lock nut	1	
8	5956	Set screw	2	
9	6300	Lip seal output	1	
10	6301	Seal protector	1	
11	6292	Blade Hub	1	REF. ONLY Part of Rotor bar assembly 6599
12	6302	Castle nut	1	
13	6303	Cotter pin	1	
14	4173	Plug	2	

Hydraulic System



Hydraulic System Parts List

Ref. No.	Part No.	Description	Qty	Remarks
1a	6606	Hydraulic Motor - 22gpm	1	
1b	6607	Hydraulic Motor - 17gpm	1	
1c	6508	Hydraulic Motor - 33gpm	1	
2a	6255	Hydraulic Manifold - 17gpm	1	
2b	6291	Hydraulic Manifold - 22gpm	1	
2c	6509	Hydraulic Manifold - 33gpm	1	
3a	6619	Hydraulic Hose	2	17gpm/22gpm
3b	6505	Hydraulic Hose	2	33gpm
4a	4154	Flange Kit	2	17gpm/22gpm
4b	4268	Flange Kit	2	33gpm
5	6617	Hydraulic Hose	1	
6a	6618	Hydraulic Hose	2	17gpm/22gpm
6b	6506	Hydraulic Hose	2	33gpm
7	6616	Hydraulic Quick Connect	1	
8a	6601	Hydraulic Quick Connect	1	17gpm/22gpm
8b	6316	Hydraulic Quick Connect	1	33gpm
9a	6602	Hydraulic Quick Connect	1	17gpm/22gpm
9b	6317	Hydraulic Quick Connect	1	33gpm
10	6481	Hydraulic Fitting	2	33gpm Only
11	6504	Hydraulic Fitting	2	33gpm Only

Notes

HALL MANUFACTURING WARRANTY POLICY FOR BUSH-WHACKER ROTARY MOWERS

NEW EQUIPMENT WARRANTY

Subject to limitations and exclusions set forth herein, Hall Manufacturing Inc. warrants that if any component or part of a machine manufactured by Hall Manufacturing, excluding any mechanical gearbox or mechanical gearbox component used by Hall Manufacturing, proves to be defective in material or workmanship within one (1) year from the delivery date of the original sale to the end user, Hall Manufacturing will, at its option, either repair or replace the defective part without charge. In addition, Hall Manufacturing warrants that if any mechanical gearbox or mechanical gearbox component used by Hall Manufacturing on any Bush-Whacker rotary mower proves to be defective in material or workmanship within three (3) years from the delivery date of the original sale, Hall Manufacturing will, at its option, either repair or replace the defective mechanical gearbox or gearbox part without charge, except for rotary mowers sold directly to a state or related governmental agencies for which the mechanical gearbox or mechanical gearbox component warranty period is limited to one (1) year from the delivery date of the original sale. No payment will be made in lieu of repair of the machine.

LIMITATIONS AND EXCLUSIONS

If the equipment is used for rental the warranty period is ninety (90) days from the date of sale to the renter. This includes all mechanical gearboxes and their components.

This limited warranty covers defects in materials and workmanship in the parts manufactured or used by Hall Manufacturing excluding:

Damage resulting from accident, abuse, misuse, neglect or other than normal and ordinary use of the equipment.

Damage resulting from failure to use the product in accordance with the manufacturer's instructions.

Refer to the appropriate owner's manual for the Bush-Whacker mower model you purchased.

Hall Manufacturing shall be released from all obligations and liabilities under this warranty if:

The equipment had been operated with any accessory, equipment, component or part not manufactured by Hall Manufacturing or approved for use by Hall Manufacturing.

The equipment has been repaired, altered or modified without Hall Manufacturing's approval or if the equipment shall have been operated subsequent to its involvement in an accident or breakdown unless the Owner furnishes reasonable evidence that such repair, alteration, modification or operation subsequent to its involvement in an accident or breakdown was not a cause of the defect.

The Owner does not return, at Owner expense, the defective accessory, equipment component or machine to, or notify, an authorized Bush-Whacker dealer. The Owner shall be responsible for submission of reasonable evidence of proof of Date Discovery of said defect.

REPLACEMENT PARTS WARRANTY AND PARTS REPLACED BY WARRANTY

Hall Manufacturing further warrants that if any genuine Bush-Whacker part or component utilized by an authorized Bush-Whacker dealer proves to be defective in material or workmanship, within thirty (30) days of such utilization, Hall Manufacturing will, at its option, repair or replace the defective part without charge. Owner shall be responsible for all freight charges including labor to and from the place where the warranty work is performed.

WHAT YOU MUST DO TO ENFORCE THIS WARRANTY

Warranty services must be performed or approved by an authorized Bush-Whacker Dealer. The Owner must, at the Owner's expense, deliver, mail or ship the defective product together with the original Bill of Sale to any Authorized Dealer in the Owner's area.

Owner must pay any postage, shipping charges, insurance costs, freight and other expenses to and from the place where the warranty work is performed. If required to return equipment or any component or part to an authorized Bush-Whacker Dealer, Owner shall be obligated to pay any premium payable for overtime labor if overtime is incurred as a result or a request by the Owner.

UNAPPROVED SERVICE OR MODIFICATION

All obligations of Hall Manufacturing under this warranty shall be terminated if:

Service is performed by someone other than a Dealer authorized by Hall Manufacturing

Equipment is modified or altered in ways not approved by Hall Manufacturing.

ACCIDENTS AND NORMAL MAINTENANCE

This warranty covers only defective materials and workmanship. It does not cover depreciation or damage caused by normal wear, accident, improper maintenance, improper protection in storage or improper use. The cost of normal maintenance and replacement of service items such as: cutting parts, drive line cross kits and clutch pads, skid shoes, gearbox and drive line shields, tires, bearings, seals, chains, etc. shall be paid for by the Owner.

DISCLAIMER OF IMPLIED WARRANTIES & CONSEQUENTIAL DAMAGES

Hall Manufacturing's obligation under this limited warranty, to the extent allowed by law, is in lieu of all warranties, Implied or expressed, **INCLUDING IMPLIED WARRANTIES OF MERCHANTABILITY AND FITNESS FOR A PARTICULAR PURPOSE** and any liability for incidental and consequential damages with respect to the sale or use of the equipment warranted. Such incidental and consequential damages shall include but not limited to: transportation charges loss of income; rental of substitute equipment, and expenses due to loss, damage, detention or delay in the delivery of equipment or parts resulting from acts beyond the control of Hall Manufacturing.

IMPROVEMENTS OR CHANGES

Hall Manufacturing reserves the right to make improvements of changes in design and specification at any time without incurring any obligation to owners of units previously sold.

WARRANTY CLAIMS PROCEDURE

Warranty claims must be delivered to Hall Manufacturing within thirty (30) days after the warranty service work was performed.

Hall Manufacturing will approved or deny claim within thirty (30) days of receiving a claim.

Hall Manufacturing will issue credit for all genuine Bush-Whacker parts or components as well as all approved Dealership employee labor time at a rate of \$30.00 per hour within thirty (30) days of the claim approval.

Defective parts must be held for inspection for ninety (90) days after the work is performed. Hall Manufacturing may request that parts be returned to the Hall Manufacturing factory for inspection.

ACKNOWLEDGEMENT REQUIRED

Hall Manufacturing shall have no obligation under this warranty unless the Owner Registration Card, included with your Operators Manual, is signed by Owner and Dealer or Dealer's Agent and is delivered along with a copy of the original Bill of Sale from the Dealer to Hall Manufacturing within sixty (60) days from the date of sale.

COMPLETE THE WARRANTY REGISTRATION CARD

(ON THE FOLLOWING PAGE)

PLACE IN AN ENVELOPE ALONG WITH THE ORIGINAL BILL OF SALE

MAIL TO:

**HALL MANUFACTURING, INC.
P. O. BOX 5638
NORTH LITTLE ROCK, AR 72119**



WARRANTY REGISTRATION

** Return to Hall Manufacturing within sixty (60) days of purchase

Date of Purchase _____ Purchaser _____

Address _____ City _____ State _____

Product _____ Model# _____ Serial# _____

Dealer _____
Address _____
City _____ State _____

Signature of Original Buyer

Signature of Dealer or Dealer's Agent

* Please include a copy of the original bill of sale

Notes

Notes