



# **Bush-Whacker®**

**TOUGH ON GRASS, EASY ON YOUR WALLET**



**2020**  
**PARTS BOOK**  
**HD-240**



## PARTSBOOK

This part of the manual contains part numbers and illustrations based on the latest information available at the time of print.

Hall Manufacturing, Inc. reserves the right to make changes at any time without notice or obligation. Additional copies of the manuals are available from your local Bush-Whacker dealer.

Hall Manufacturing, Inc.  
3706 E. Washington Ave., P.O. Box Drawer 5638  
North Little Rock, AR 72119  
(501)945-7550

**Always use genuine Bush-Whacker replacement parts,  
available through the network of authorized dealers.**

### Explanation of the terms in the Partsbook

Ref. No.—Refers to the numbered parts in an illustration

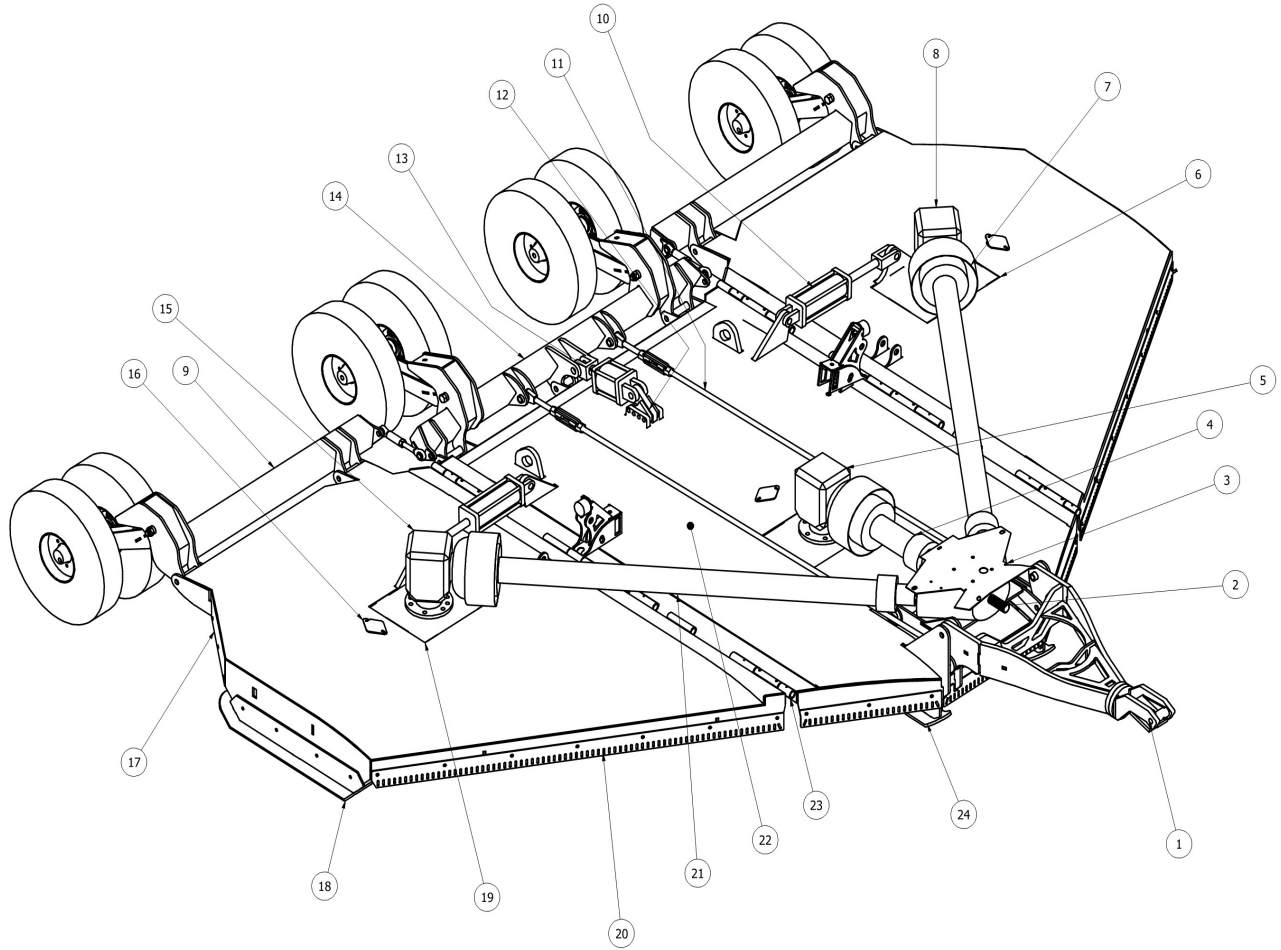
Part No.—Refers to the part number of the part. This is what you use when ordering new parts, as well as description and quantity.

Description—Gives the description of the part

Qty—Quantity listed for each component on the illustration, not the total quantity of that part used on the entire machine.

Remarks—any comments (refers to detail pages of parts, etc.)

# HD-240 Assembly Breakdown

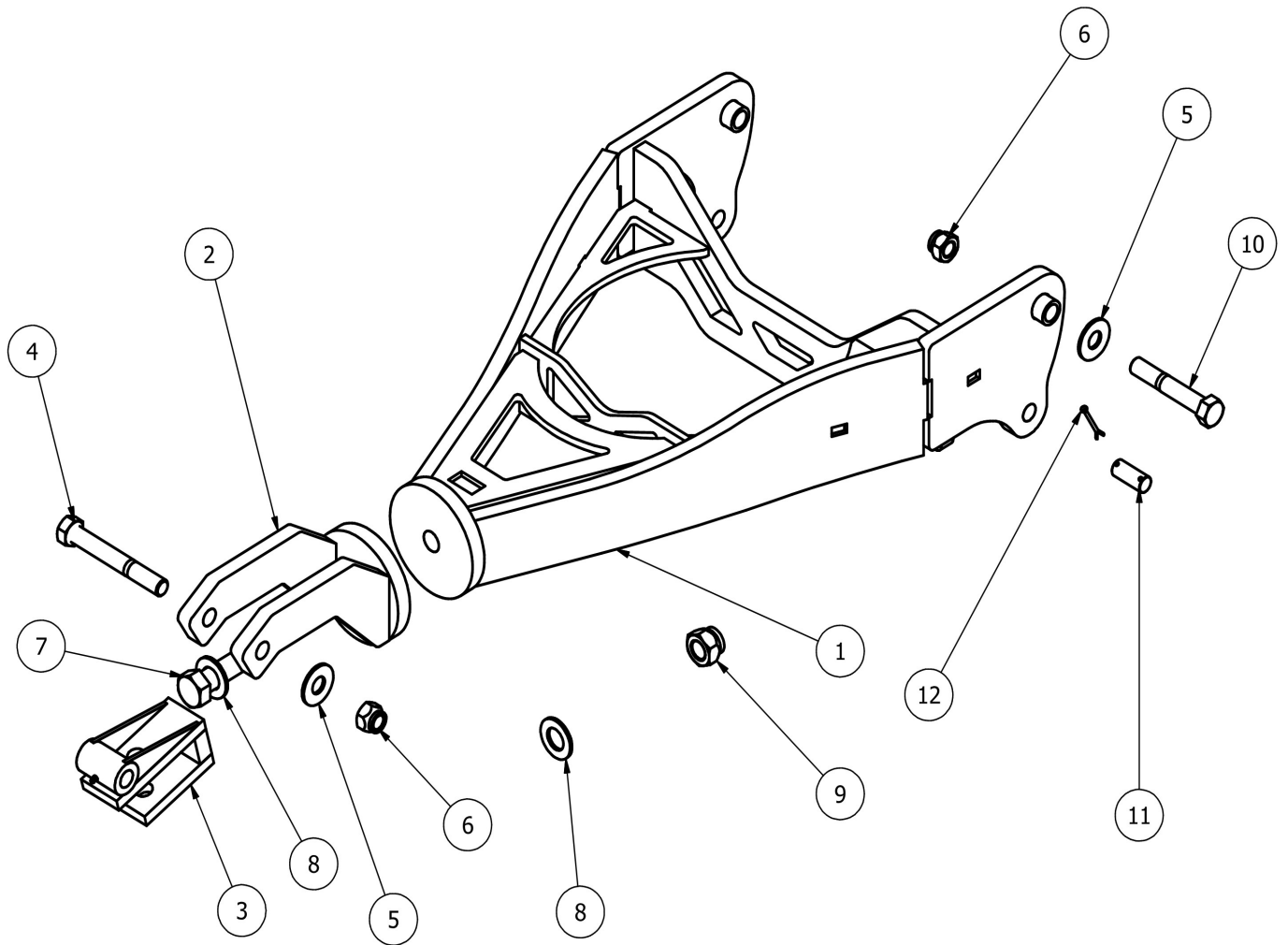




## HD-240 Assembly Breakdown

Ref. No.	Description	Page Number
1	Tongue Assembly	6
2	Divider Box	12-13
3	Divider Box Shield	37
4	Center Driveline Assembly	14-15
5	Left and Center Gearbox	16-17
6	Left Wing Assembly (Part #6331)	N/A
7	Gearbox Shield Assembly	36
8	Wing Pivot and Axle Arm Assembly	25
9	Wing Lift Cylinder	29
10	Level Rod Assembly	23
11	Center Lift Cylinder Mounting Point	28
12	Center Lift Cylinder	27
13	Center Pivot Assembly	26
14	Right Wing Gearbox	18-19
15	Wing Access Cover (Part #6680)	N/A
16	Chain Guards	34-35
17	Wing Skid Shoe	32
18	Right Wing Assembly (Part #6332)	N/A
19	Wing Drive Shaft	10-11
20	Center Deck Assembly (Part #6330)	N/A
21	Hinge Pins (Part #6338, 6339)	N/A
22	Center Deck Skid Shoe	31
23	Hydraulics	33
24	Main Driveline	8-9
25	Blade Bar	22
26	Travel Lock	30
27	Parts Not Illustrated	38

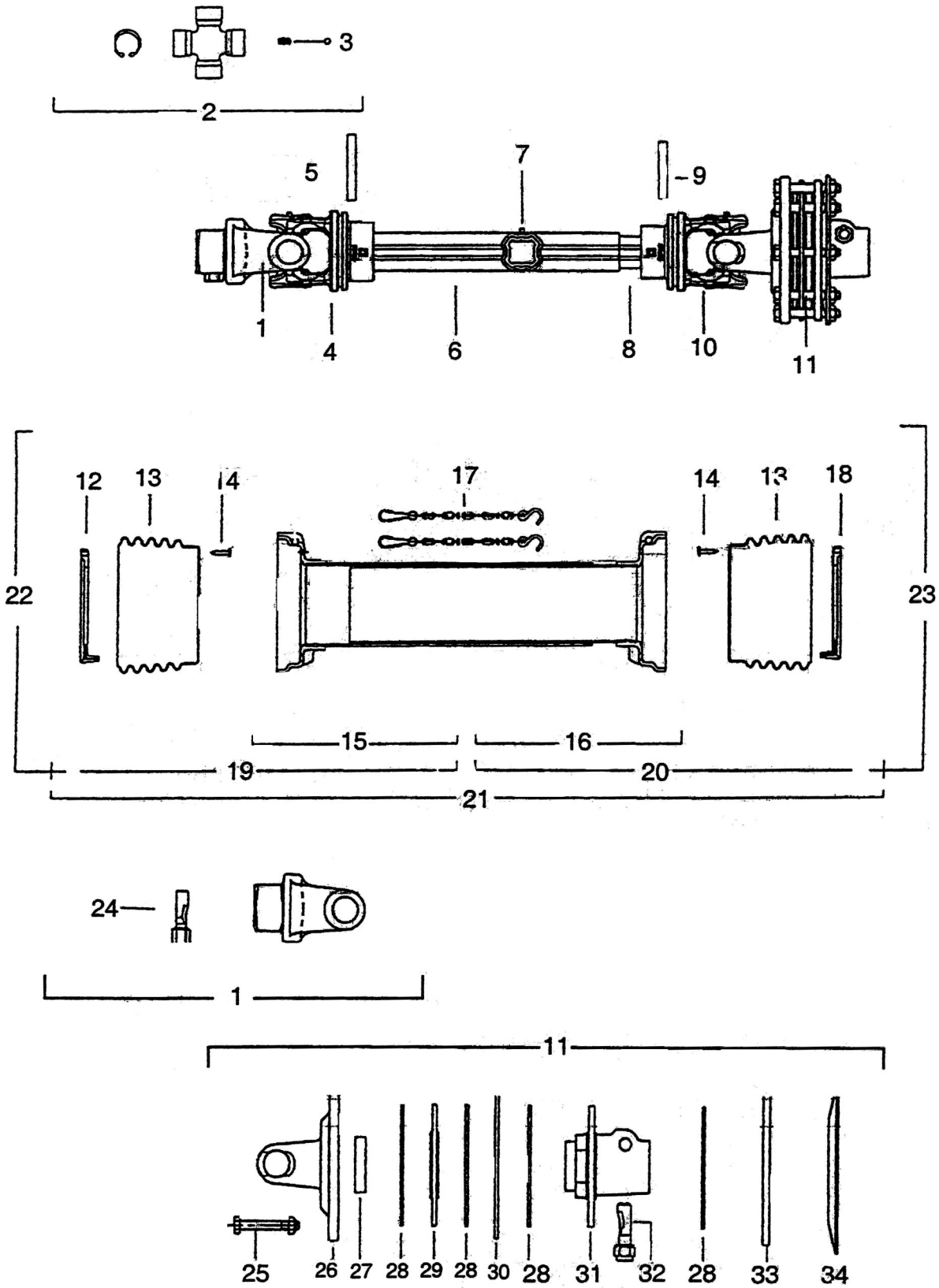
# Tongue Assembly with Swivel Clevis



## Tongue Assembly with Swivel Clevis

Ref. No.	Part No.	Description	Qty
1	6197	Tongue Assembly	1
2	4866	Swivel	1
3	4865	Clevis	1
4	2626	Bolt	1
5	3259	Washer	3
6	2638	Nut	3
7	6073	Bolt	1
8	3449	Washer	2
9	2532	Nut	1
10	5166	Bolt	2
11	2315	Level Rod Pin	2
12	2313	Cotter Pin	4

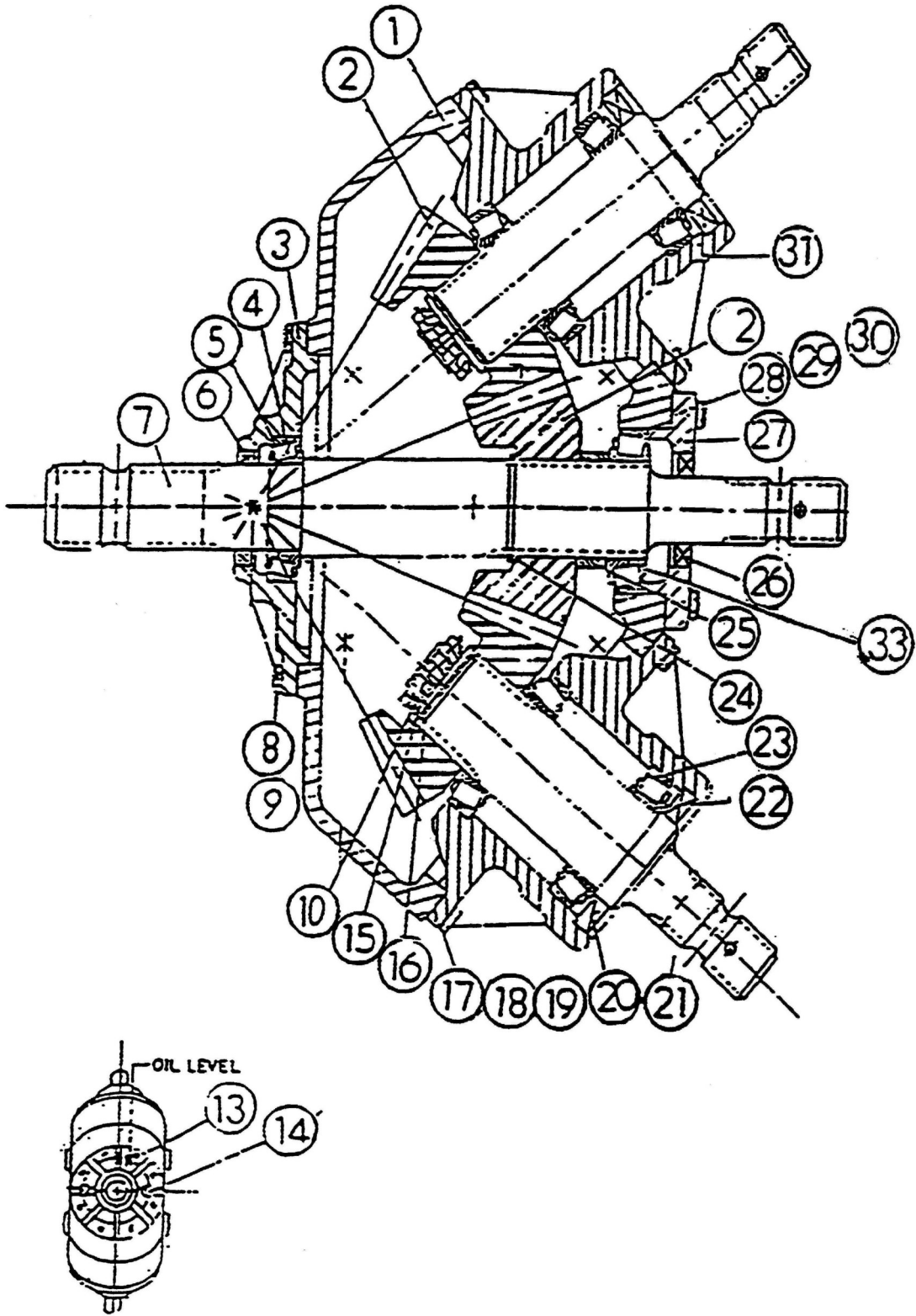
# 4074 Complete Wing Drive Shaft



## 4074 Complete Wing Drive Shaft Parts List

Ref. No.	Part No.	Description	Qty
1	4062	Quick Disconnect Yoke	1
2	3916	Cross Kit	2
3	3917	Grease Fitting	1
4	3918	Outer Tube Yoke	1
5	3919	Outer Roll Pin	1
6	4063	Outer Tube (Steel)	1
7	4008	Grease Fitting	1
8	4064	Inner Tube (Steel)	1
9	3922	Inner Roll Pin	1
10	3923	Inner Tube Yoke	1
11	4065	Complete Clutch Assembly	1
12	3927	Outer Shield Ring	1
13	3926	Shield Bell	2
14	3928	Shield Screw	6
15	4066	Outer Shield Tube	1
16	4067	Inner Shield Tube	1
17	4012	Shield Safety Chain	2
18	3932	Inner Shield Ring	1
19	4068	Outer Shield Complete	1
20	4069	Inner Shield Complete	1
21	4070	Complete Shield Assembly	1
22	4071	Outer Half Shaft Complete	1
23	4072	Inner Half Shaft Complete	1
24	3925	QD Pin Kit	1
25	4098	Bolt with Nut	8
26	4018	Flange Yoke	1
27	3962	Bushing	1
28	3963	Clutch Disk	4
29	3964	Clutch Plate	1
30	3965	Inner Plate	1
31	3966	Splined Hub	1
32	3967	Bolt with Nut	1
33	3968	Outer Plate	1
34	3969	Spring	1

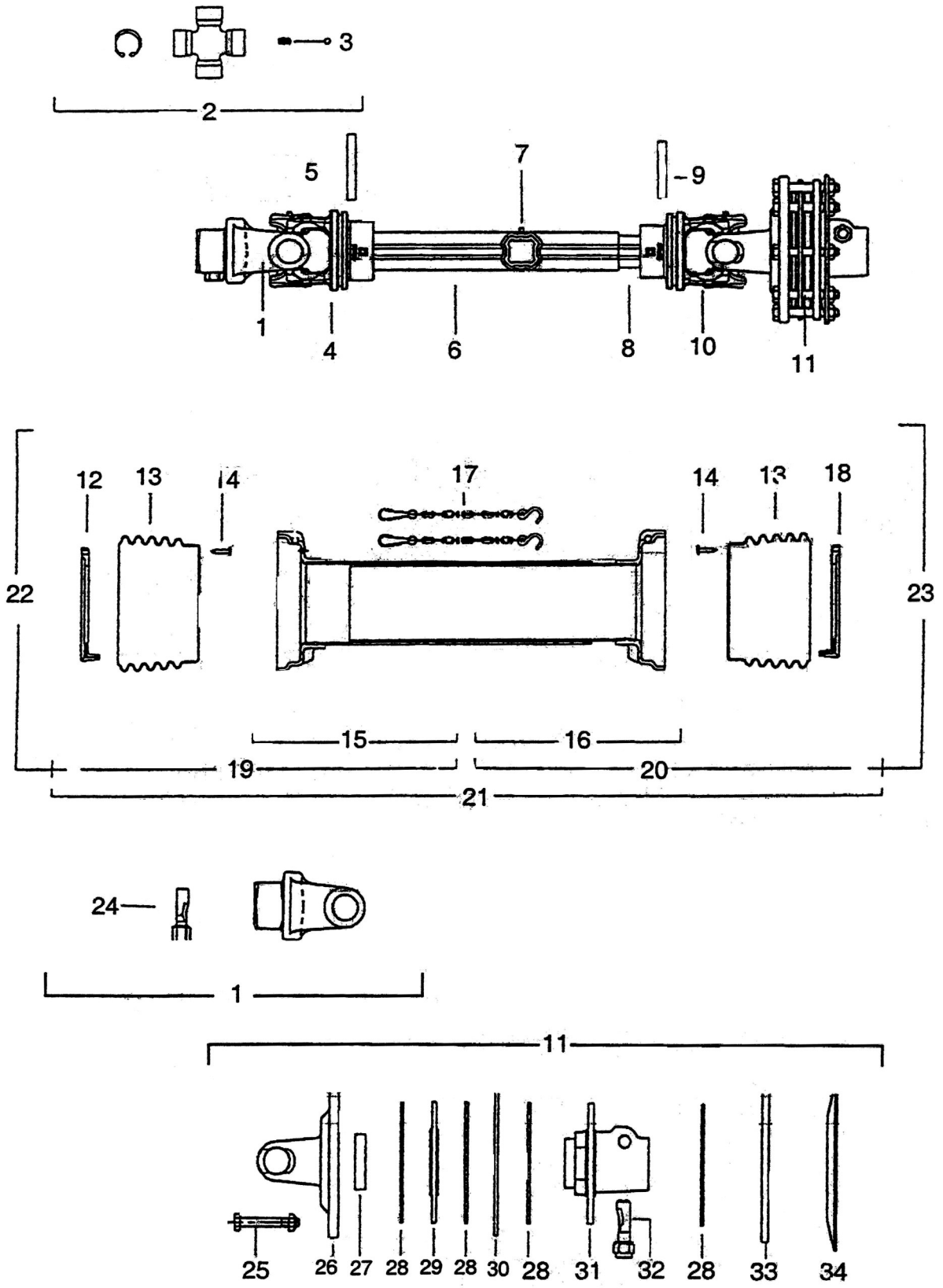
# 4452 Divider Gear Box



**4452 Divider Gear Box**  
**(See Maintenance Section for Recommended Lubrication)**  
**Parts List**

<b>Ref. No.</b>	<b>Part No.</b>	<b>Description</b>	<b>Qty</b>
1	2973	Housing	1
2	3307	Gear	3
3	2739	Cap	1
4	2715	Bearing Cone	1
5	2716	Bearing Race	1
6	2713	Seal	1
7	2975	Input Shaft	1
8	2728	Bolt	28
9	2727	Washer	28
10	2741	Lock Nut	2
13	2742	Oil Plug	1
14	2723	Vent Plug	1
15	2743	Lock Washer	2
16	2744	Washer	2
17	2721	Shim	AR
18	2722	Shim	AR
19	2745	Shim	AR
20	2746	Seal	2
21	2976	Shaft	2
22	2711	Bearing Cone	5
23	2712	Bearing Race	4
24	2719	Retaining Ring	1
25	2749	Spacer	1
26	2751	Seal	1
27	2752	Cap	1
28	2753	Shim	AR
29	2754	Shim	AR
30	2755	Shim	AR
31	2756	Cap	2
33	3149	Race	1

# 4061 Complete Center Drive Shaft

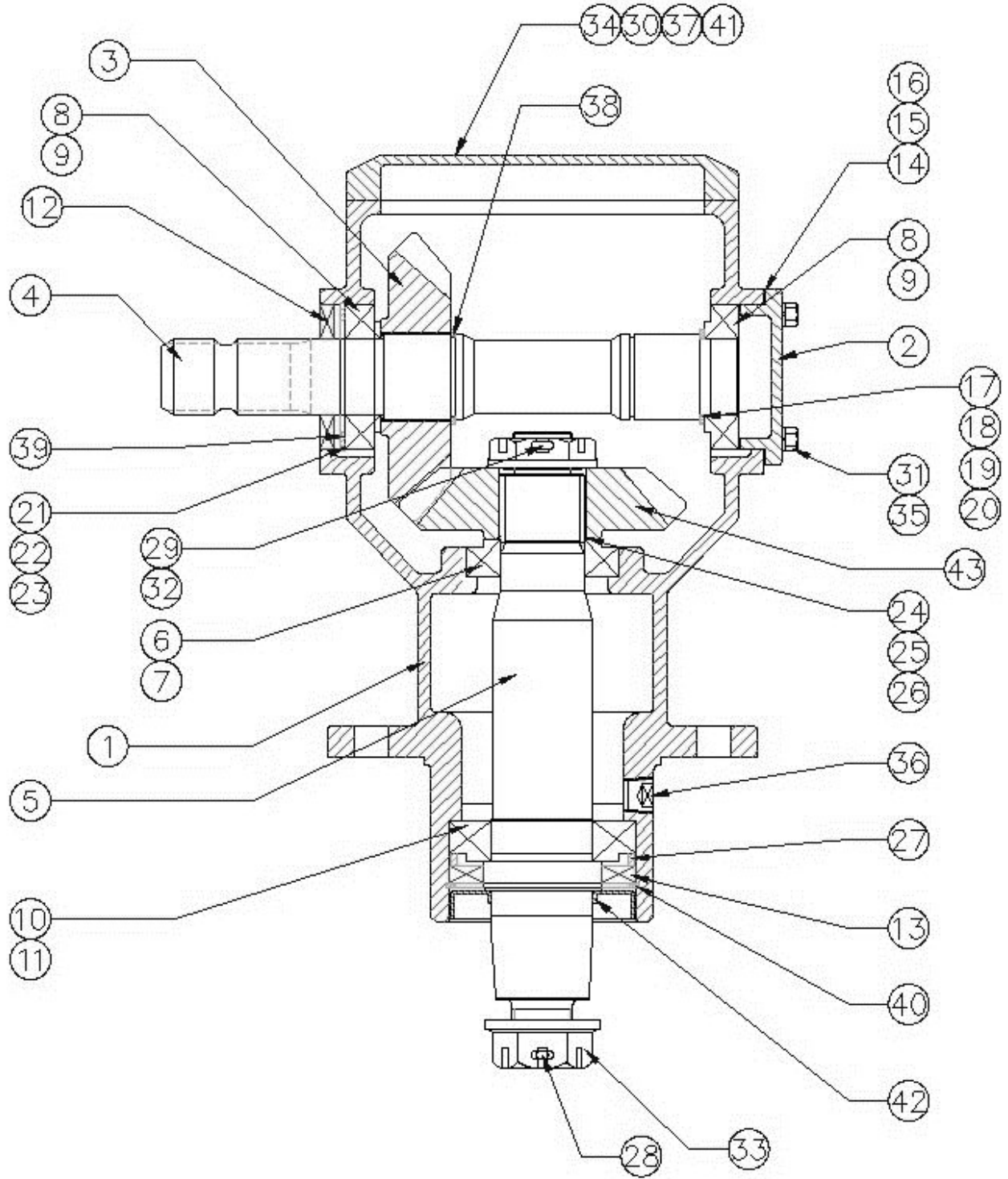




## 4061 Complete Center Drive Shaft Parts List

Ref. No.	Part No.	Description	Qty
1	4006	Quick Disconnect Yoke	1
2	3941	Cross Kit	2
3	3917	Grease Fitting	1
4	3942	Outer Tube Yoke	1
5	3919	Outer Roll Pin	1
6	4051	Outer Tube (Steel)	1
7	4008	Grease Fitting	1
8	4052	Inner Tube (Steel)	1
9	4145	Inner Roll Pin	1
10	3945	Inner Tube Yoke	1
11	4010	Complete Clutch Assembly	1
12	3927	Outer Shield Ring	1
13	3947	Shield Bell	2
14	3928	Shield Screw	6
15	4053	Outer Shield Tube	1
16	4054	Inner Shield Tube	1
17	4012	Shield Safety Chain	2
18	3932	Inner Shield Ring	1
19	4055	Outer Shield Complete	1
20	4056	Inner Shield Complete	1
21	4057	Complete Shield Assembly	1
22	4058	Outer Half Shaft Complete	1
23	4060	Inner Half Shaft Complete	1
24	3925	QD Pin Kit	1
25	4098	Bolt with Nut	8
26	4018	Flange Yoke	1
27	3962	Bushing	1
28	3963	Clutch Disk	4
29	3964	Clutch Plate	1
30	3965	Inner Plate	1
31	4146	Splined Hub	1
32	3967	Bolt with Nut	1
33	3968	Outer Plate	1
34	3969	Spring	1

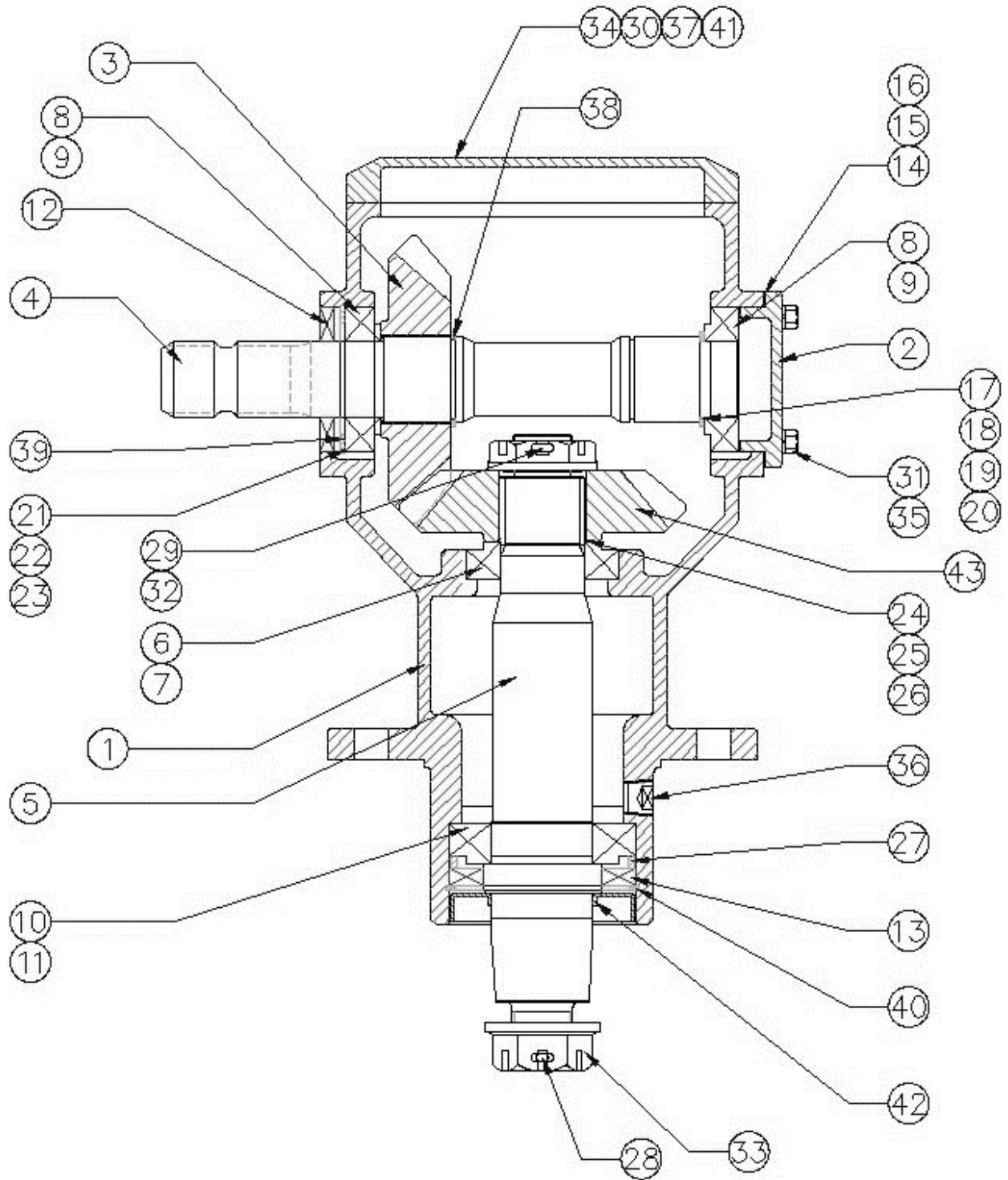
# 6374 Gear Box - Center Deck



## 6374 Gear Box - Center Deck Parts List

Ref. No.	Part No.	Description	Qty.
1	5210	Housing	1
2	5211	Blank Cap	1
3		Gear	1
4	5213	Input Shaft	1
5	5214	Output Shaft	1
6	5215	Bearing Cup	1
7	5216	Bearing Cone	1
8	5217	Bearing Cup	2
9	5218	Bearing Cone	2
10	5219	Bearing Cup	1
11	5220	Bearing Cone	1
12	5221	Input Seal	1
13	5222	Output Seal	1
14	5223	Gasket 0.02mm	A/R
15	5224	Gasket 0.03mm	A/R
16	5225	Gasket 0.05mm	A/R
17	5226	Shim 1.8mm	A/R
18	5227	Shim 2.0mm	A/R
19	5228	Shim 2.2mm	A/R
20	5229	Shim 2.5mm	A/R
21	5230	Shim 0.10mm	A/R
22	5231	Shim 0.20mm	A/R
23	5232	Shim 0.50mm	A/R
24	5233	Shim 0.10mm	A/R
25	5234	Shim 0.20mm	A/R
26	5235	Shim 0.50mm	A/R
27	5236	Output Spacer	1
28	5237	Cotter Pin	1
29	5238	Cotter Pin	1
30	5251	Inspection Cover	1
31	5240	Bolt	4
32	5241	Hex Nut	1
33	5242	Castle Nut	1
34	5239	Bolt	8
35	5244	Lock Washer	4
36	5245	Plug	1
37	5243	Lock Washer	8
38	2719	Retaining Ring	2
39	5249	Retaining Ring	1
40	5250	Retaining Ring	1
41	2723	Pressure Relief Plug	1
42	5252	Seal Protector	1
43		Gear	1

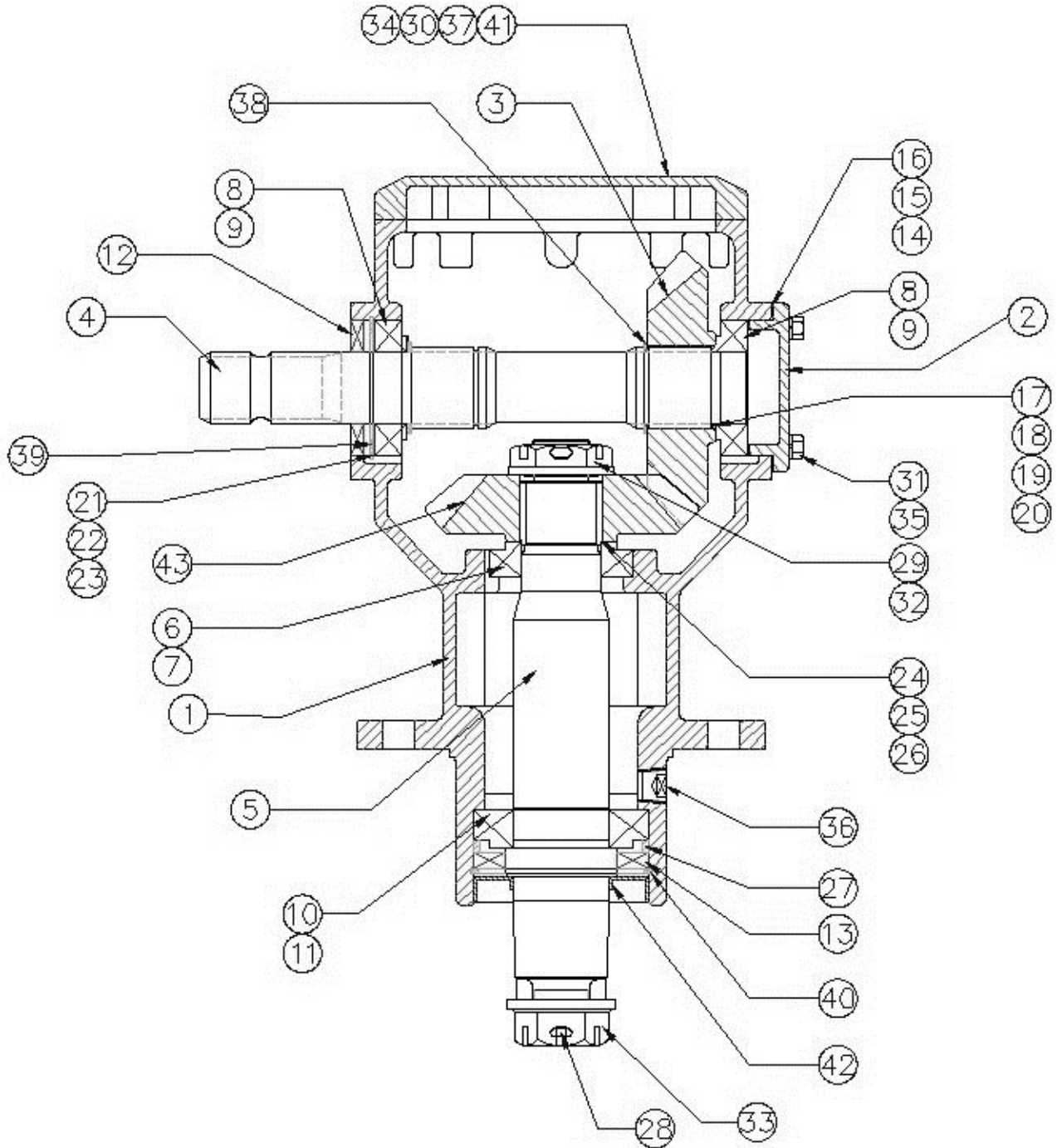
# 5177 Gear Box - Left Wing



## 5177 Gear Box - Left Wing Parts List

Ref. No.	Part No.	Description	Qty.
1	5210	HOUSING	1
2	5211	SIDE COVER PLATE	1
3	5212	GEAR	2
4	5213	INPUT SHAFT	1
5	5214	OUTPUT SHAFT	1
6	5215	BEARING CUP	1
7	5216	BEARING CONE	1
8	5217	BEARING CUP	2
9	5218	BEARING CONE	2
10	5219	BEARING CUP	1
11	5220	BEARING CONE	1
12	5221	SEAL	1
13	5222	SEAL	1
14	5223	GASKET	1-AR
15	5224	GASKET	1-AR
16	5225	GASKET	AR
17	5226	SHIM	AR
18	5227	SHIM	AR
19	5228	SHIM	1-AR
20	5229	SHIM	1-AR
21	5230	SHIM	1-AR
22	5231	SHIM	1-AR
23	5232	SHIM	1-AR
24	5233	SHIM	1-AR
25	5234	SHIM	1-AR
26	5235	SHIM	1-AR
27	5236	SPACER	1
28	5237	COTTER PIN	1
29	5238	COTTER PIN	1
30	5239	BOLT	8
31	5240	BOLT	4
32	5241	NUT	1
33	5242	NUT	1
34	5243	LOCK WASHER	8
35	5244	LOCK WASHER	4
36	5245	DRAIN PLUG	1
37	2723	VENT PLUG	1
38	2719	RETAINING RING	1
39	5249	RETAINING RING	1
40	5250	RETAINING RING	1
41	5251	INSPECTION COVER	1
42	5252	SEAL PROTECTOR	1
NS	5409	SIGHT GUAGE	1
NS	6152	O-RING	1

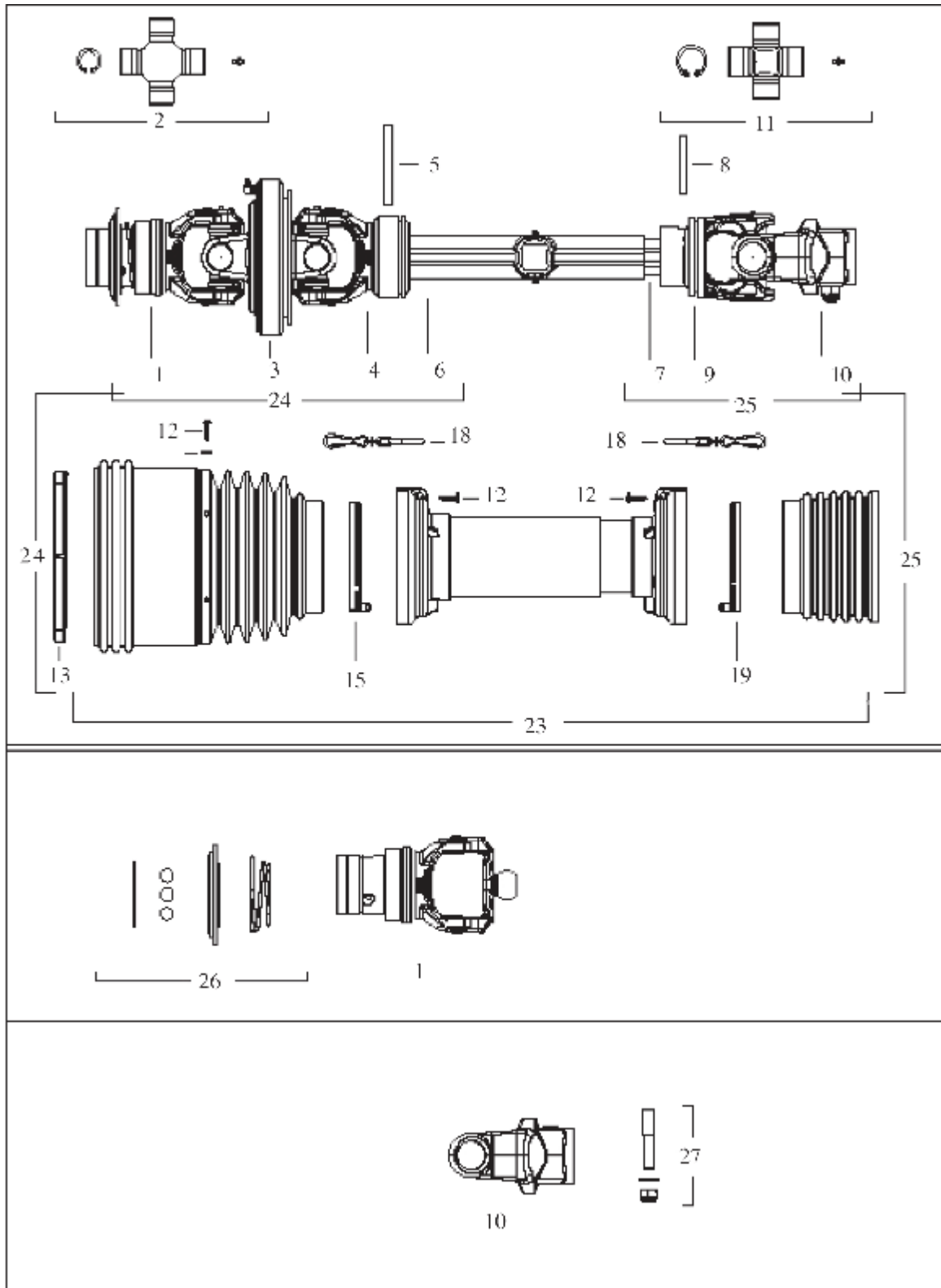
# 5170 Gear Box - Right Wing



## 5170 Gear Box - Right Wing Parts List

Ref. No.	Part No.	Description	Qty.
1	5210	HOUSING	1
2	5211	SIDE COVER PLATE	1
3	5212	GEAR	2
4	5213	INPUT SHAFT	1
5	5214	OUTPUT SHAFT	1
6	5215	BEARING CUP	1
7	5216	BEARING CONE	1
8	5217	BEARING CUP	2
9	5218	BEARING CONE	2
10	5219	BEARING CUP	1
11	5220	BEARING CONE	1
12	5221	SEAL	1
13	5222	SEAL	1
14	5223	GASKET	1-AR
15	5224	GASKET	1-AR
16	5225	GASKET	AR
17	5226	SHIM	AR
18	5227	SHIM	AR
19	5228	SHIM	1-AR
20	5229	SHIM	1-AR
21	5230	SHIM	1-AR
22	5231	SHIM	1-AR
23	5232	SHIM	1-AR
24	5233	SHIM	1-AR
25	5234	SHIM	1-AR
26	5235	SHIM	1-AR
27	5236	SPACER	1
28	5237	COTTER PIN	1
29	5238	COTTER PIN	1
30	5239	BOLT	8
31	5240	BOLT	4
32	5241	NUT	1
33	5242	NUT	1
34	5243	LOCK WASHER	8
35	5244	LOCK WASHER	4
36	5245	DRAIN PLUG	1
37	2723	VENT PLUG	1
38	2719	RETAINING RING	1
39	5249	RETAINING RING	1
40	5250	RETAINING RING	1
41	5251	INSPECTION COVER	1
42	5252	SEAL PROTECTOR	1
NS	5409	SIGHT GAUGE	1
NS	6152	O-RING	1

## 5455 Constant Velocity Drive Shaft



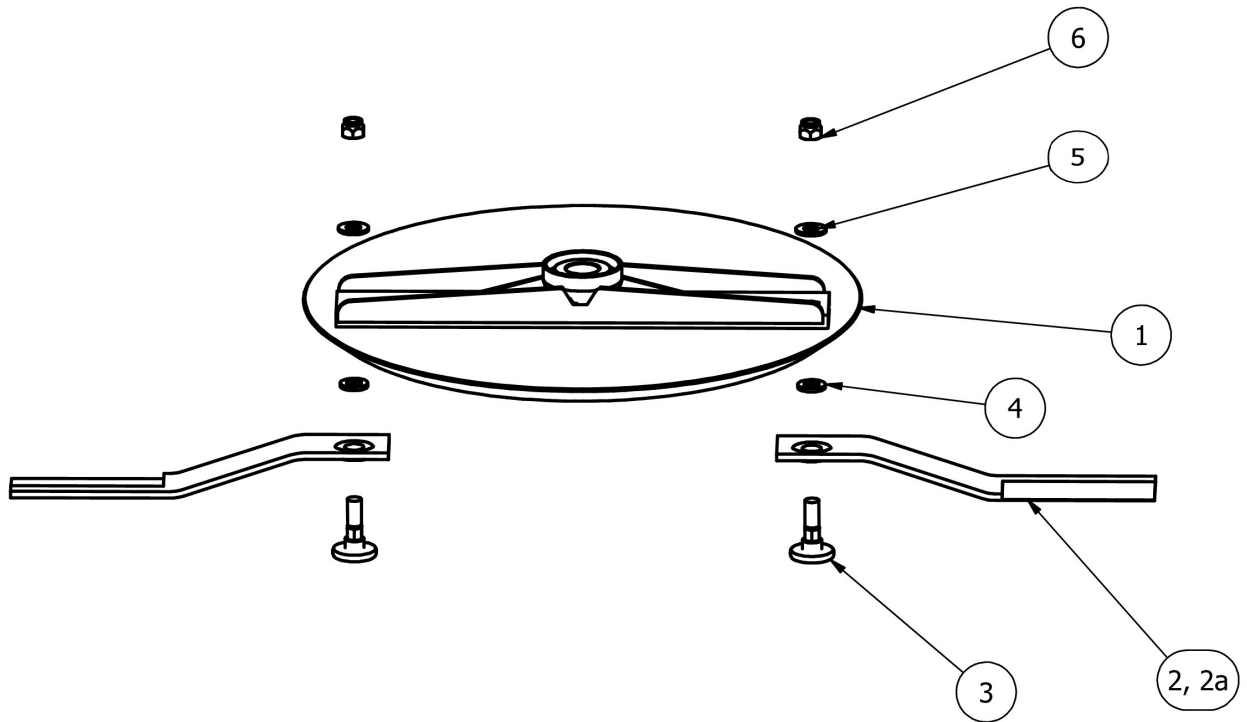


## 5455 Constant Velocity Drive Shaft Parts List

Ref. No.	Part No.	Description	Qty
1,	4917	Slide Collar CV Yoke (1-3/8", Z=21) Used on 5454 CV Drive Shaft	1
1 A	4974	Slide Collar CV Yoke (1-3/4", Z=20) Used on 5455 CV Drive Shaft	
2	4918	CV Cross Kit	1
3	4919	CV Body	1
4	4920	Outer Tube Yoke	1
5	4921	Outer Roll Pin	1
6	5489	Outer Tube (Steel)	1
7	5490	Inner Tube (Steel)	1
8	3132	Inner Roll Pin	1
9	3923	Inner Yoke	1
10	4945	Quick Disconnect Yoke (1-3/4", Z=20)	1
11	4926	Cross Kit	1
12	3928	Shield Screw	12
13	4927	Shield Cone	1
14	4946	Outer Shield Bell	1
15	4904	Shield Flange	1
16	3982	Outer Shield Tube	1
17	3983	Inner Shield Tube	12
18	3931	Shield Safety Chain	2
19	3932	Inner Shield Ring	1
20	3926	Inner Shield Bell	1
21	5494	Outer Shield Complete	1
22	5496	Inner Shield Complete	1
23	5497	Complete Shield Assembly	1
26	4076	Slide Collar Kit	1
27	4950	QD Pin Kit	1

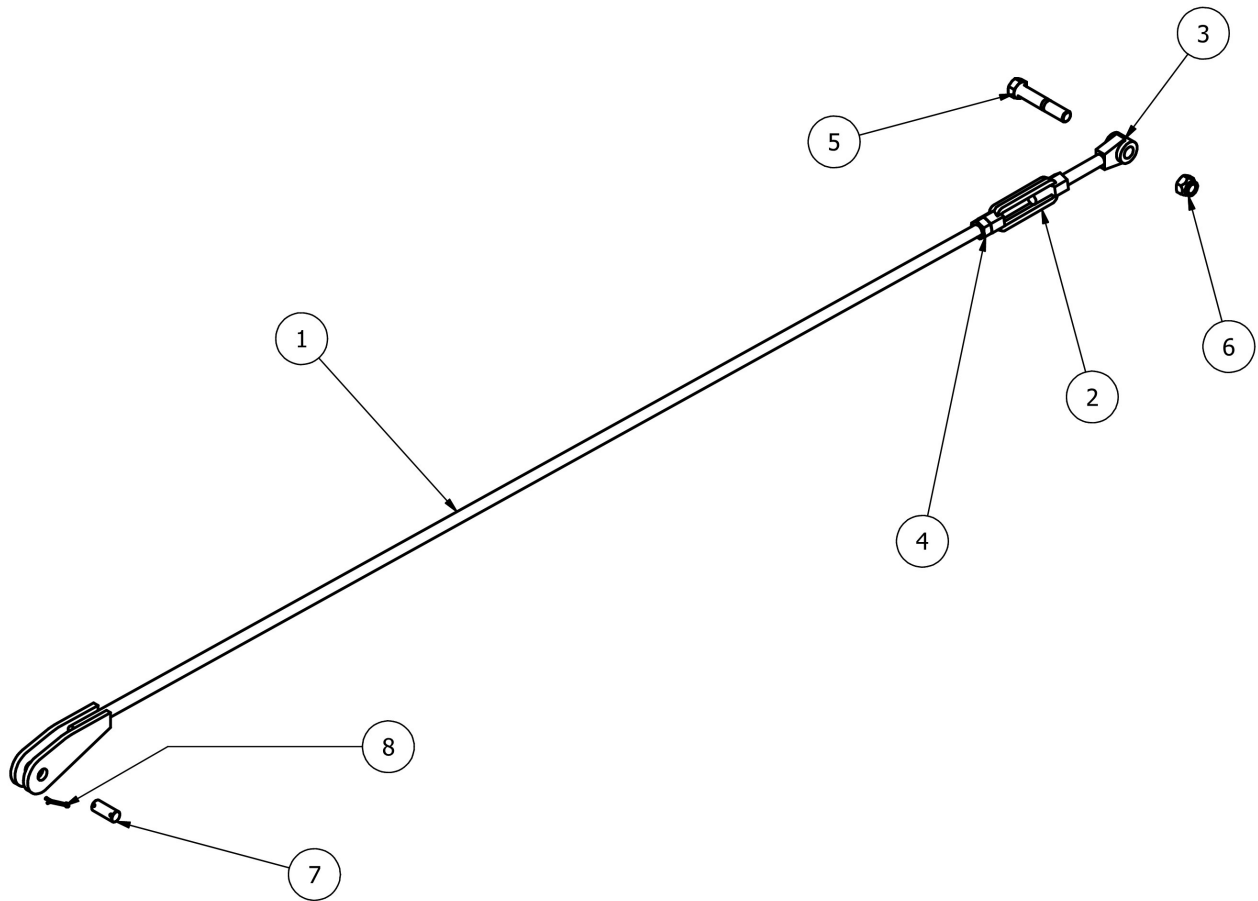
NOTES: 1. All the Ref. No. 2 thru 27 are THE SAME for both 5454 & 5455 CV Drive Shafts  
 2. Ref. No 1 & 28 are SPECIFIC for 5454 CV Drive Shaft ONLY  
 3. Ref. No. 1 A & 28 A are SPECIFIC for 5455 CV Drive Shaft ONLY

## Rotor Bar Assembly



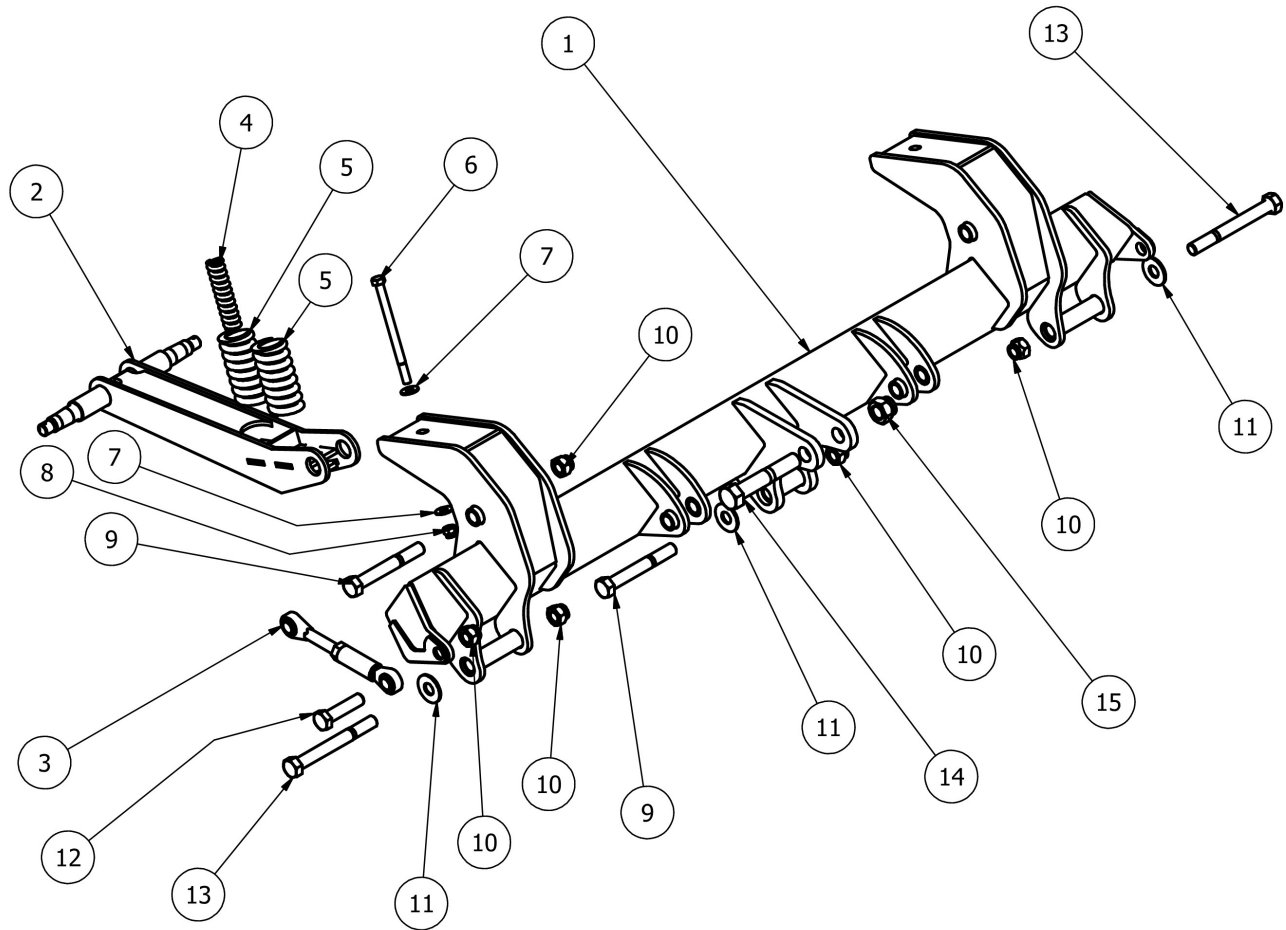
Ref. No.	Part No.	Description	Qty	Remarks
1	6677	Blade Bar with Stump Jumper	REF	
2	3093	Updraft Blade, CCW	2	Center and Right Wing
2a	3094	Updraft Blade, CW	2	Left Wing
3	3095	Bolt	2	
4	3096	Washer	2	
5	2106	Washer	2	
6	2105	Nut	2	
NA	5242	Output Shaft Nut	1	
NA	5237	Cotter Pin	1	

## 6375 Level Rod Assembly



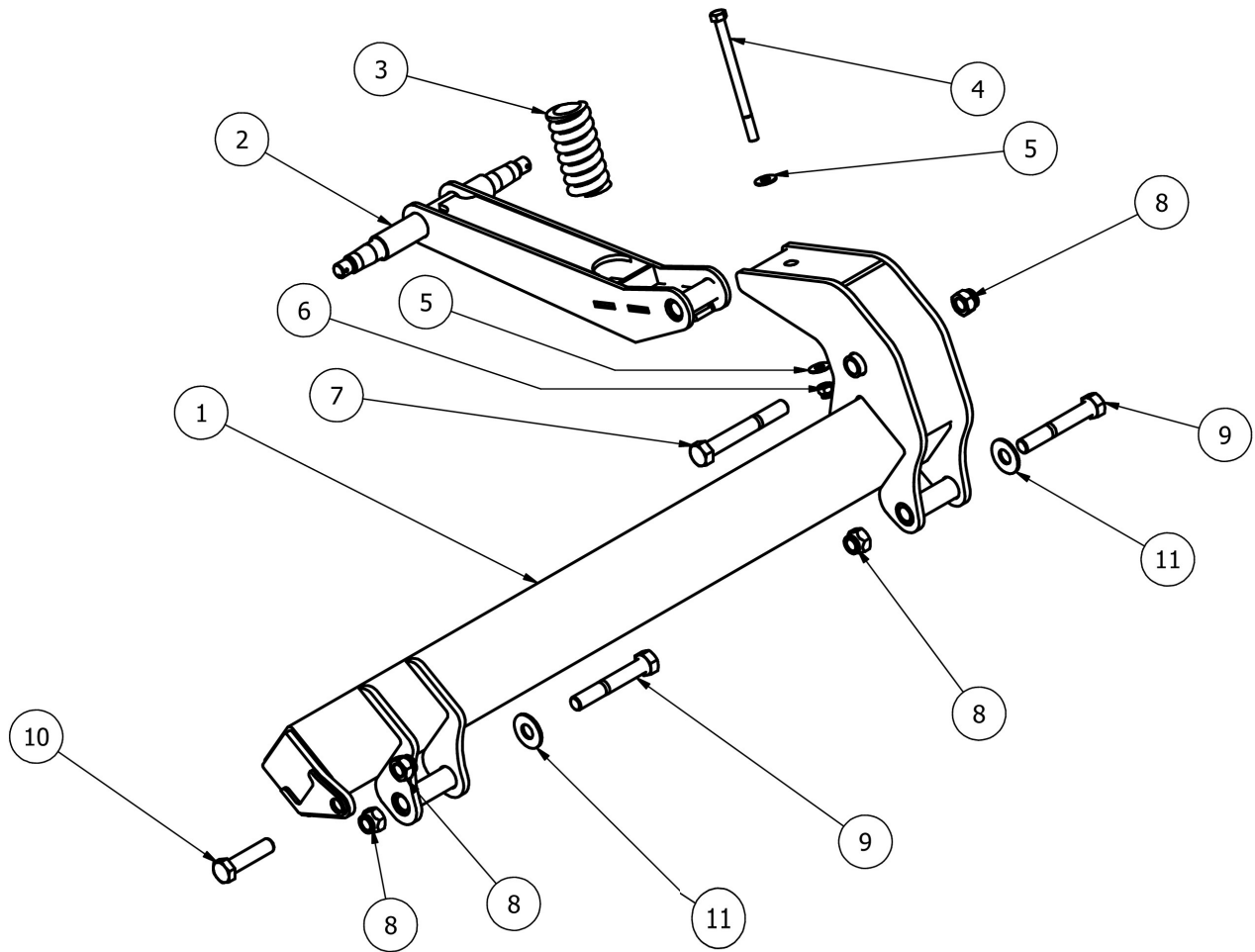
Ref. No.	Part No.	Description	Qty
1	6342	Front Level Rod	1
2	2321	Turnbuckle	1
3	2320	Level Rod Tie Rod	1
4	2322	Nut	1
5	3389	Bolt	1
6	2638	Nut	1
7	2313	Cotter Pin	2
8	2315	Pin	1

## Center Pivot and Axle Arm Assembly



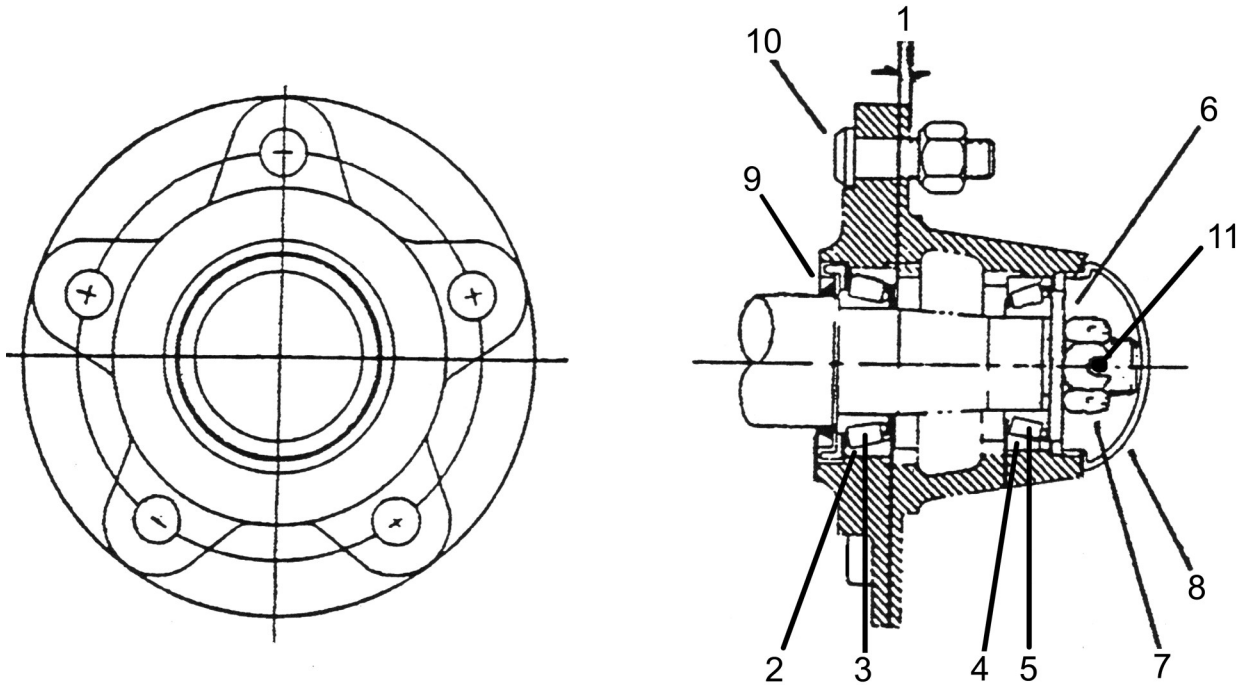
Ref. No.	Part No.	Description	Qty
1	6733	Center Pivot	1
2	6734	Axle Arm	2
3	6735	Turnbuckle	2
4	4143	Inner Spring	2
5	3454	Outer Spring	4
6	3661	Bolt	2
7	4097	Washer	4
8	3148	Nut	2
9	2626	Bolt	3
10	2638	Nut	5
11	3259	Washer	3
12	2303	Bolt	2
13	6798	Bolt	2
14	3369	Bolt	1
15	2532	Nut	1

## Wing Pivot and Axle Arm Assembly



Ref. No.	Part No.	Description	Qty
1	6736	Right Wing Pivot	1
1A	6737	Left Wing Pivot	1
2	6734	Axle Arm	1
3	3454	Outer Spring	1
4	3661	Bolt	1
5	4097	Washer	2
6	3148	Nut	1
7	2626	Bolt	1
8	2638	Nut	4
9	2624	Bolt	2
10	2303	Bolt	1
11	3259	Washer	2

## 2448 Hub Assembly

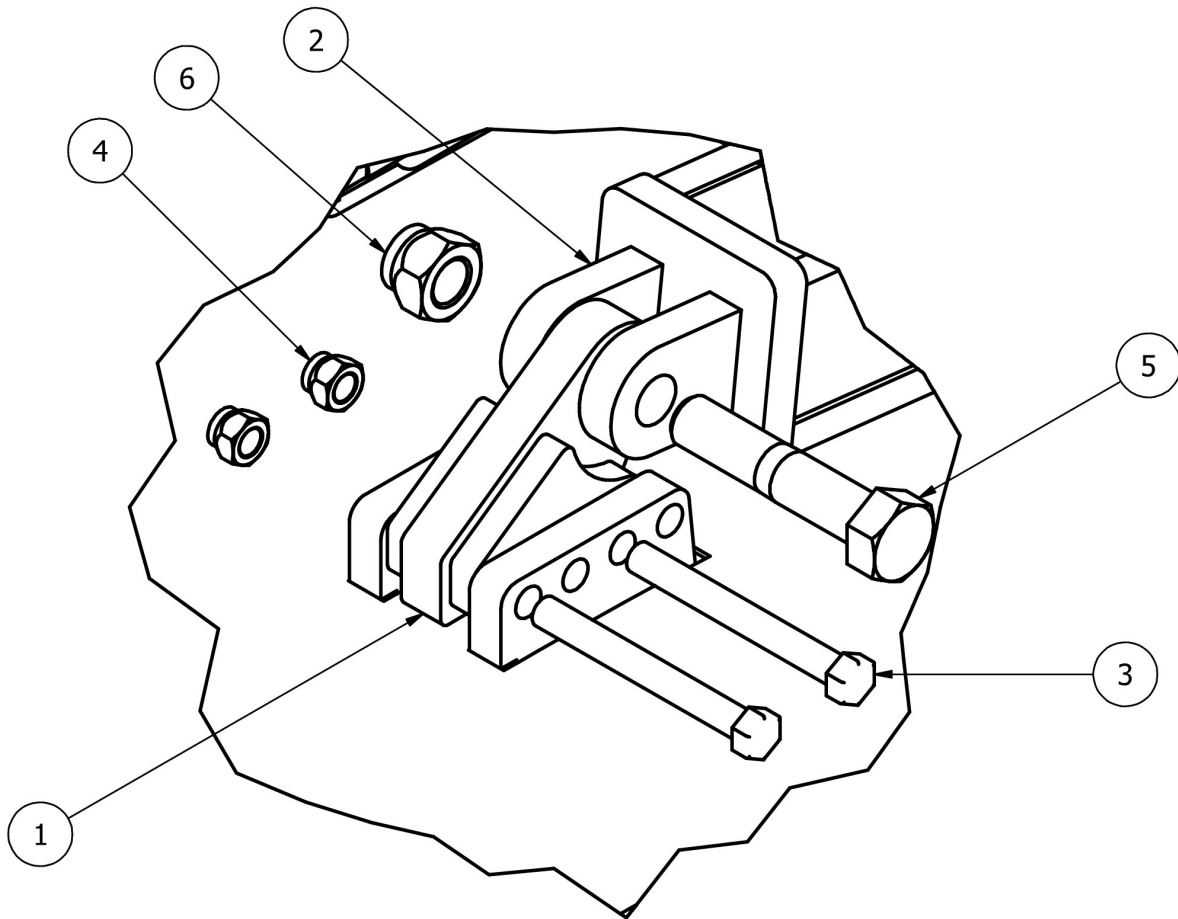


Ref. No.	Part No.	Description	Qty	Remarks
	2448	Complete Hub Assembly	REF	Includes Items 2-5,9,10
1	2449	Hub with Cups and Studs only	1	
2	2450	Inner Race	1	
3	2451	Inner Bearing	1	
4	2452	Outer Race	1	
5	2453	Outer Bearing	1	
6	3359	Spindle Washer	1	
7	3372	Spindle Nut	1	
8	2456	Dust Cap	1	
9	2457	Seal	1	
10	2458	Stud Bolt with Nut	5	
11	3360	Cotter Pin	1	
12	3917	Grease fitting	1	

## 6340 Suspension Lift Cylinder

Ref. No.	Part No.	Description	Qty

## Center Lift Cylinder Mounting Point



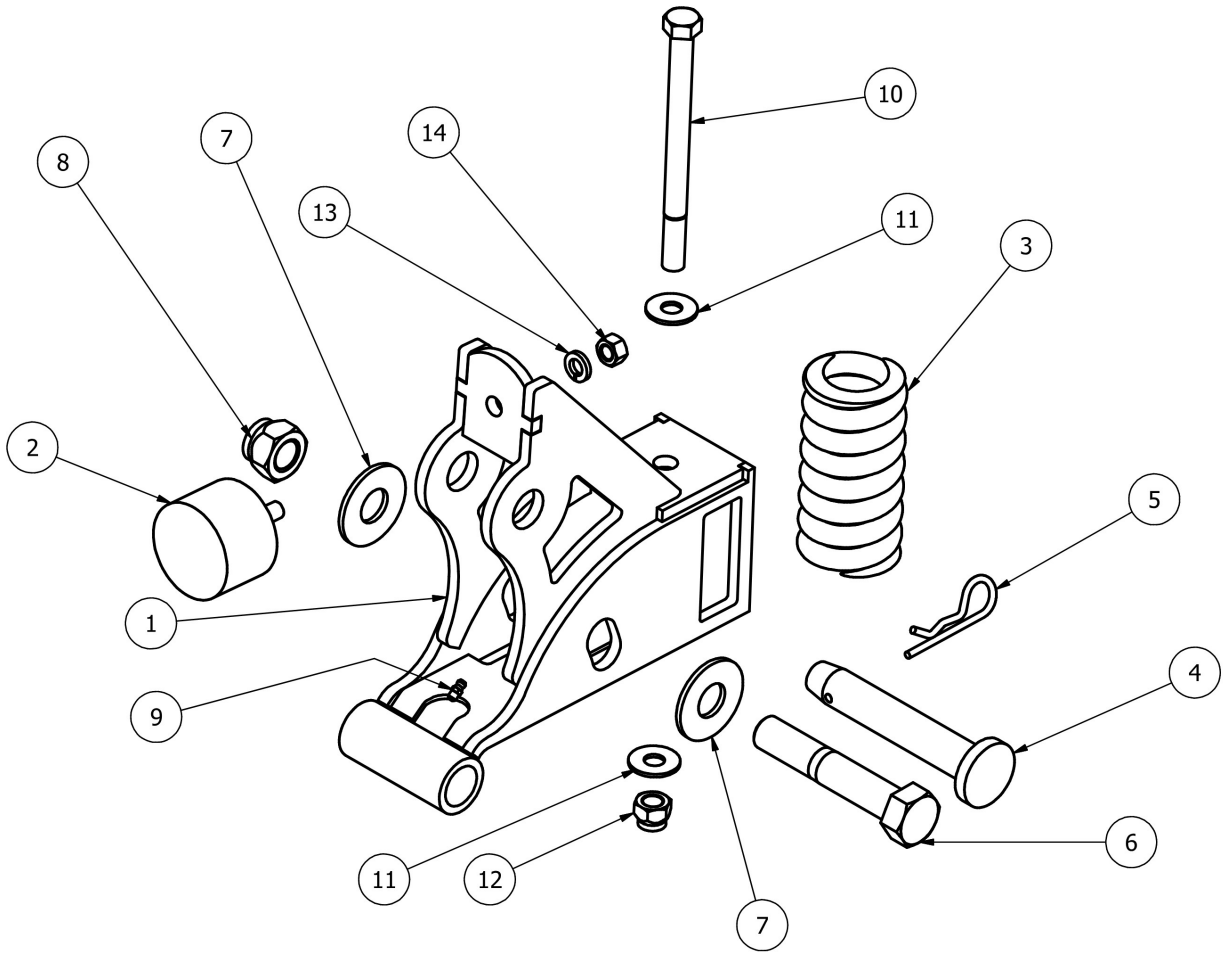
Ref. No.	Part No.	Description	Qty
1	6747	Mounting Block	1
2	6340	Suspension Cylinder	1
3	6796	Bolt	2
4	2077	Nut	2
5	5165	Bolt	1
6	2532	Nut	1



## 6341 Wing Lift Cylinder

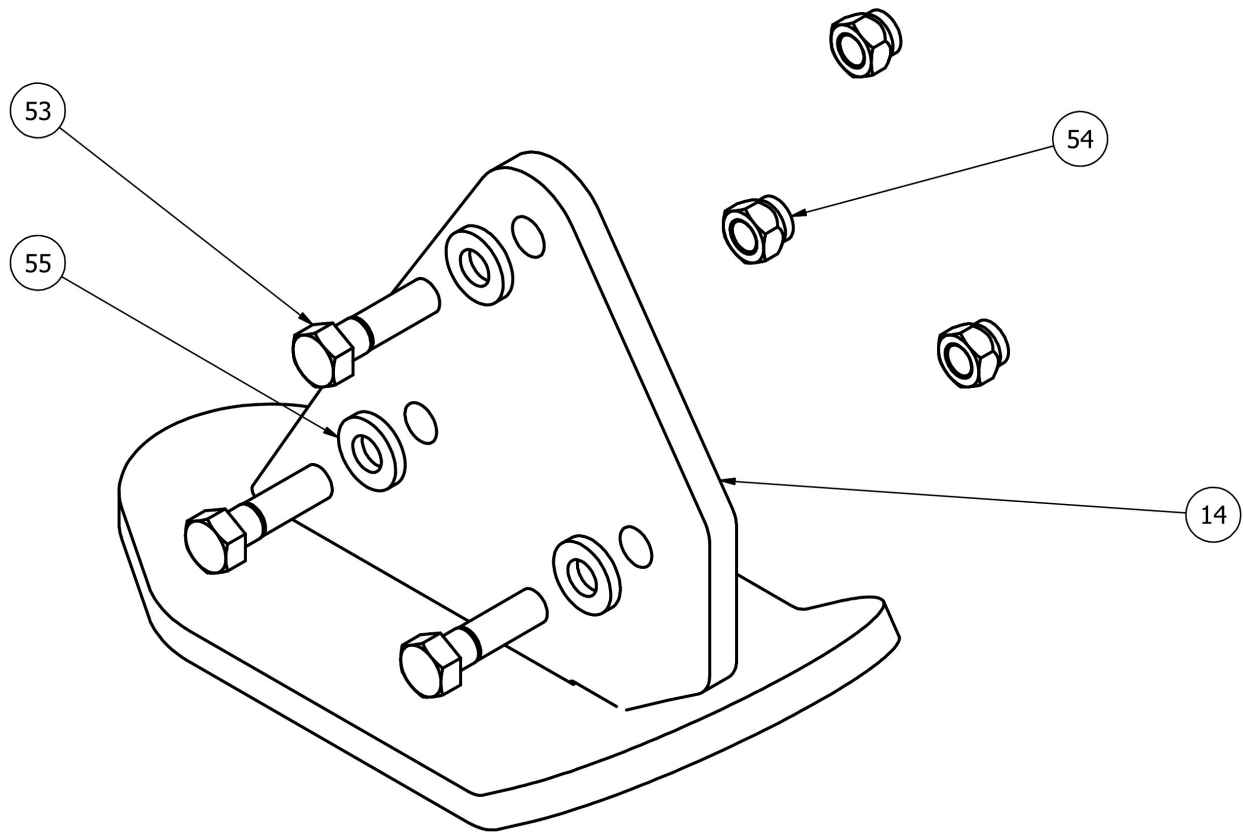
Ref. No.	Part No.	Description	Qty

## 6738 Travel Lock Assembly



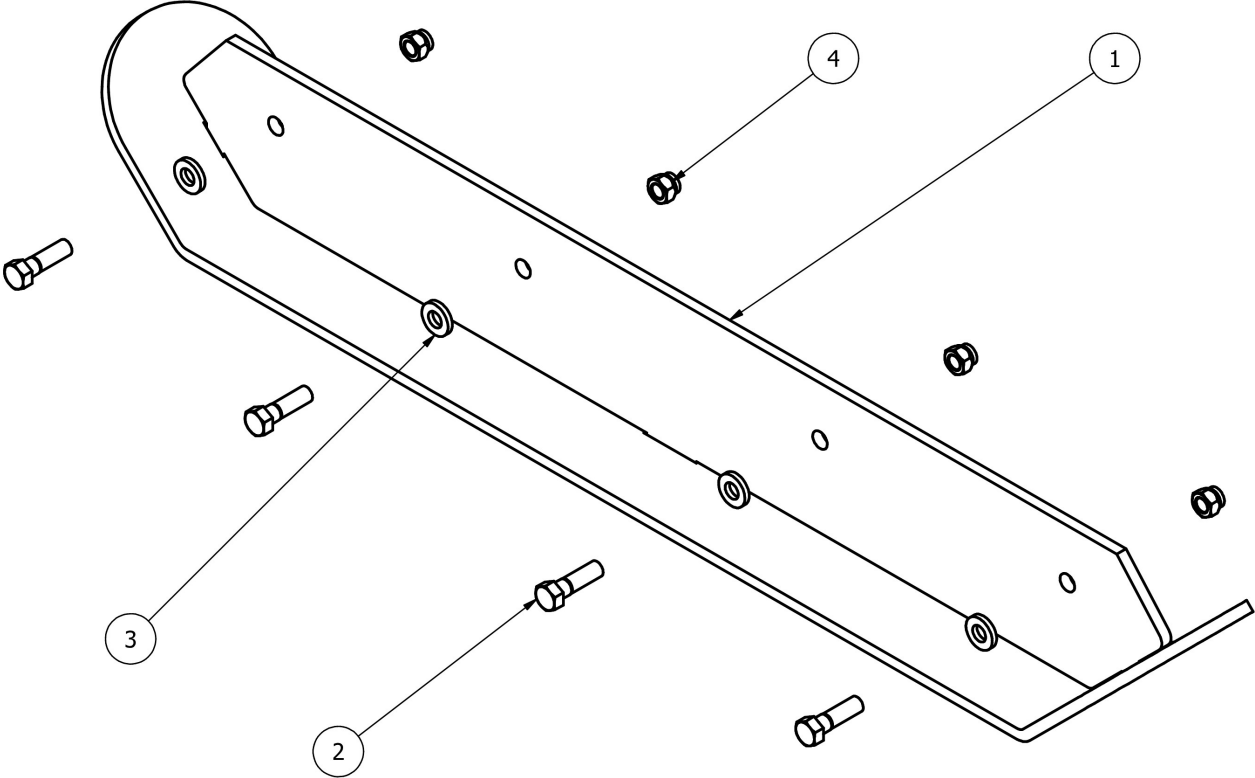
Ref. No.	Part No.	Description	Qty
1	6738	Travel Lock Assembly	1
2	6201	Bump Stop	1
3	2454	Spring	1
4	6287	Pin	1
5	6097	Hairpin	1
6	3389	Bolt	1
7	3259	Washer	2
8	2638	Nut	1
9	5033	Grease Zerk	1
10	6789	Bolt	1
11	4097	Washer	2
12	3148	Nut	1
13	2733	Lock Washer	1
14	3220	Nut	1

## 6335 Center Skid Shoe Assembly



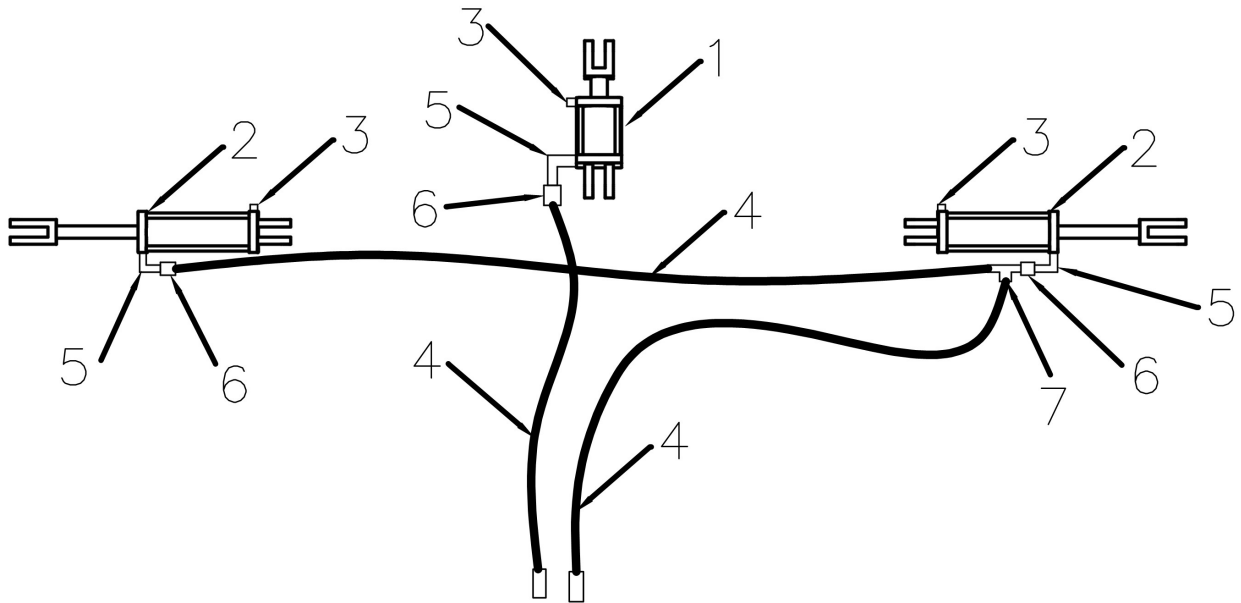
Ref. No.	Part No.	Description	Qty
1	6335	Skid Shoe	1
2	2335	Bolt	3
3	2337	Washer	3
4	2336	Nut	3

# 6333 Wing Skid Shoe Assembly



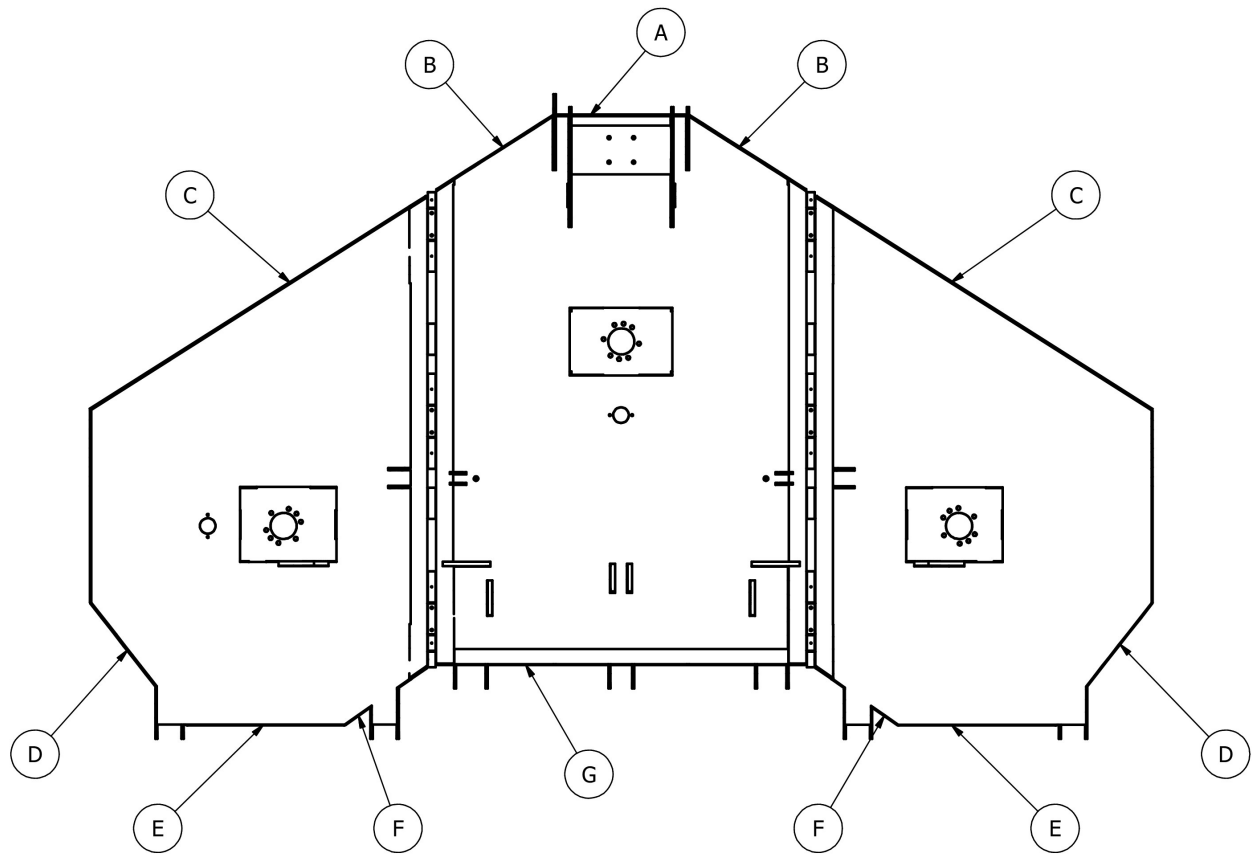
Ref. No.	Part No.	Description	Qty
1	6333	Wing Skid Shoe	1
2	2335	Bolt	4
3	2337	Washer	4
4	2336	Nut	4

## Hydraulic Hose Plan for Rephasing Cylinder System



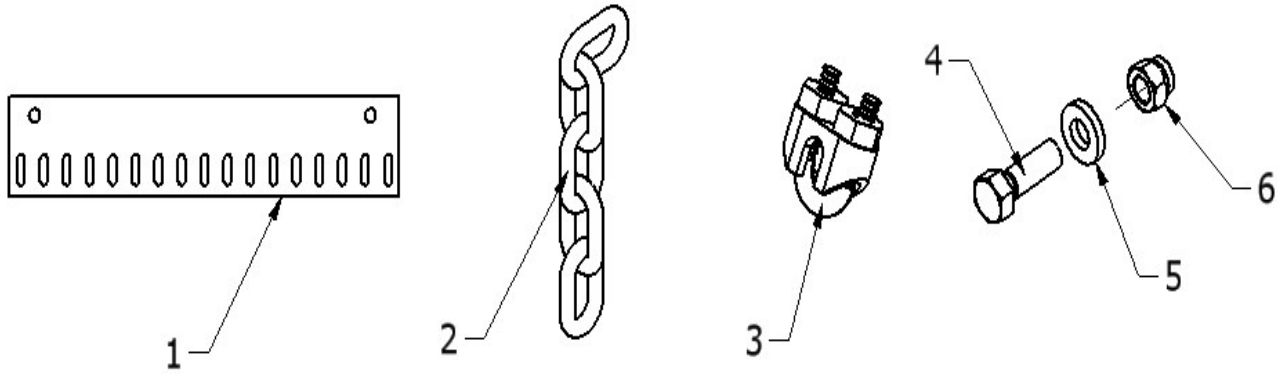
Ref. No.	Part No.	Description	Qty	Remarks
1	6340	Suspension Cylinder	1	See detail on page 27
2	6341	Wing Cylinder	2	See detail on page 29
3	6864	Vent Plug	3	
4	2344	Hose	3	
5	6841	Fitting	3	
6	2465	Restrictor	3	
7	6283	Tee	1	

## Chain Guards



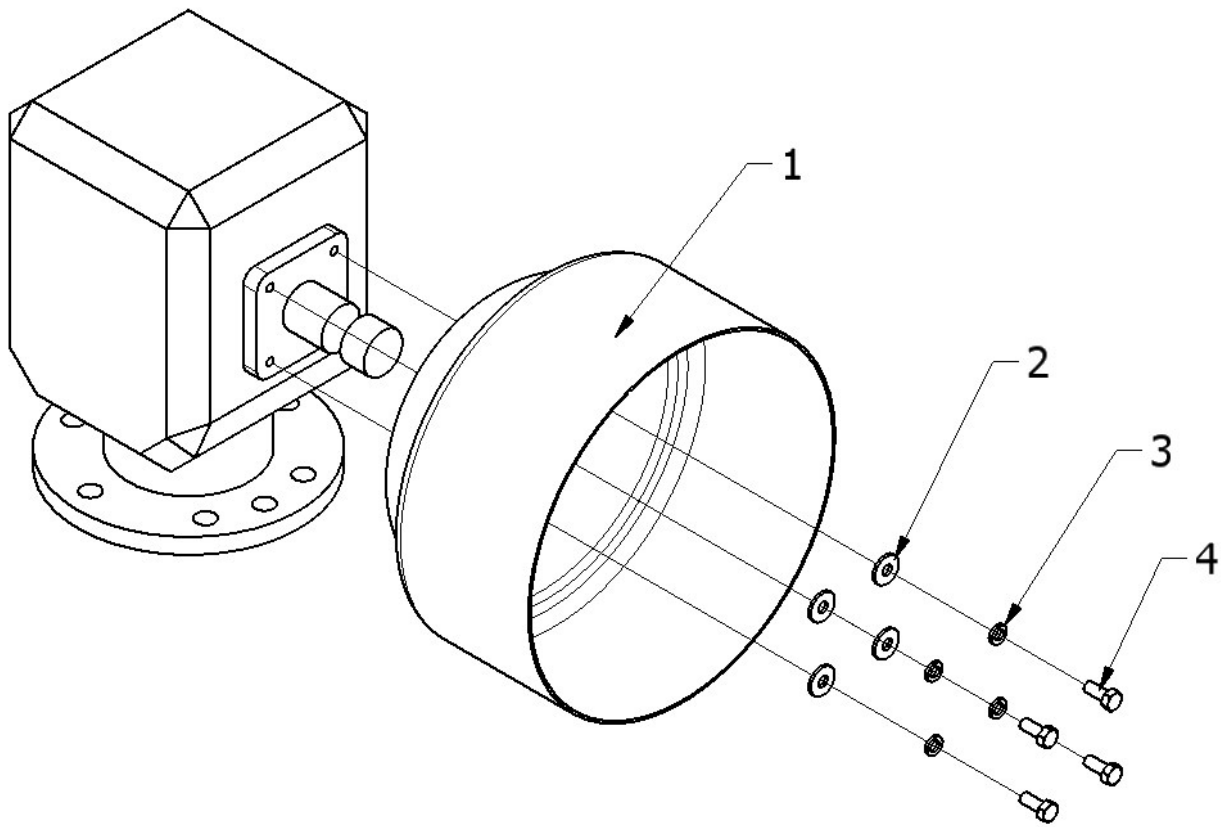
SINGLE ROW		
REF	LEFT	RIGHT
A	6845	
B	6847	6848
C	6852	6853
D	6858	6859
E	6861	6862
F	6855	6856
G	6850	

## Chain Guard Components



Ref.	PART NUMBERS		QUANTITIES			
	PLATE	ROD	CHAIN 32583	BOLT 2335	WASHER 2337	NUT 2336
A	6739	6846	25	3	3	3
B	6741	6849	25	3	3	3
C	6743	6854	74	7	7	7
D	6744	6860	27	4	4	4
E	6745	6863	29	4	4	4
F	6746	6857	18	3	3	3
G	6742	6851	69	9	9	9

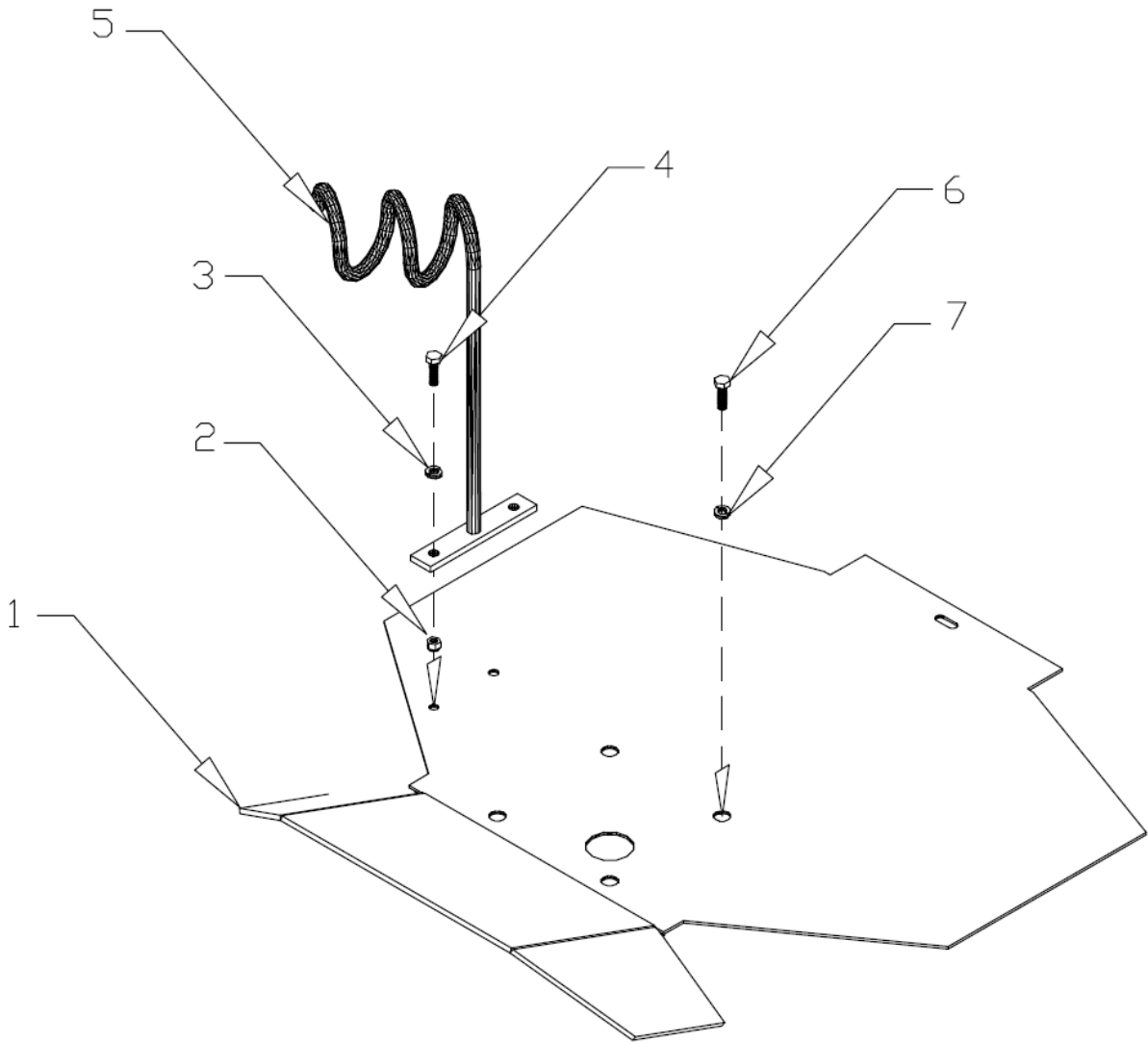
## Wing Gearbox Shield Assembly



Ref. No.	Part No.	Description	Qty
1	5173	Shield Cover	1
2	5255	Washer	4
3	5244	Washer	4
4	2693	Bolt	4



## Divider Gearbox Shield Assembly



Ref. No.	Part No.	Description	Qty
1	4410	Shield Cover	1
2	2513	Nut	4
3	3415	Washer	2
4	2512	Bolt	2
5	3394	Hose Holder	1
6	2734	Bolt	4
7	2733	Lock Washer	4

## Items not Illustrated

<b>Part No.</b>	<b>Description</b>	<b>Qty</b>
2484	Standard Solid Rubber Tire and Wheel	6
2489	Rim for 2490 Tire	REF
2490	26" Standard Aircraft Type Tire and Wheel	REF
2564	28" Optional Aircraft Type Tire and Wheel	REF
2565	Rim for 2564 Tire	REF
2622	Foam Filled Implement Tires and Wheel	REF
3275	26" Aircraft Tire Only	REF
3276	Tube for 26" Aircraft Tire	REF
3277	28" Aircraft Tire Only	REF
3278	Tube for 28" Aircraft Tire Only	REF
3516	Foam Filled Aircraft Tire	REF

## Notes

