



# Bush-Whacker®

TOUGH ON GRASS, EASY ON YOUR WALLET



2017

# PARTS BOOK

## MD-84

(540 RPM)

## Welcome

Thank you for selecting the Bush-Whacker MD-84 Rotary Mower. Your machine has been carefully inspected by both the factory and the dealership prior to being received by you to ensure that it is ready for operation.

This manual explains the proper operation of your machine. It is very important that you read and understand these instructions before operating or maintaining the machine. Failure to do so could result in personal injury or even death to you or passersby. Consult your Bush-Whacker dealership if you do not understand the instructions in this manual or need additional information.

Hall Manufacturing, Inc. reserves the right to make changes at any time without notice or obligation. Additional copies of the manuals are available from your local Bush-Whacker dealer.

Hall Manufacturing, Inc.  
3706 E. Washington Ave., P.O. Box Drawer 5638  
North Little Rock, AR 72119  
(501)945-7550

## Table of Contents

Introductory Page .....	2
Safety Section .....	4-10
General Safety Instructions and Warnings.....	4
Decals Placement.....	5
Operations.....	6-7
Attaching/Detaching Cutter.....	8
Rollover.....	8-9
Rotating Blades.....	9
Hydraulics.....	10
Maintenance.....	11-15
General Maintenance.....	11
At Least Twice Daily.....	11-12
Daily.....	12-13
Every 1,000 Hours or Annually.....	13
Gearbox Disassembly and Assembly.....	14-15
Parts book.....	17-32
Warranty Information.....	33-34
Warranty Registration Card.....	35

# General Safety Instructions and Warnings



## Attention

### Important Safety Information

**Read and Study this safety information BEFORE operating this equipment.**



The use of common sense and reasonable safety precautions are a must in the operation of this equipment. Think Safety – Accident prevention is dependant upon the personnel involved in the operation, transport, and maintenance of the equipment. To minimize the chance of accidents, serious injury, or even death; Safety Precautions Must Be Followed! **FAILURE TO FOLLOW SAFETY INSTRUCTIONS AND FAILURE TO USE COMMON SENSE COULD RESULT IN SERIOUS INJURY AND/OR DEATH TO THE OPERATOR, BYSTANDERS, PASSERSBY, OR ANIMALS IN THE AREA.**



## Safety Decals Information

- Always keep the area around safety decals clean and free of debris so that they can be easily seen and read.
- When installing new components to the equipment, it is necessary to obtain new safety decals from your Bush-Whacker dealer and adhere them promptly and properly.
- Always keep safety decals clean, using soap and water. Do not use abrasive cleaners because they could cause damage to the decals.
- If the safety signs get damaged, or are missing, contact your local Bush-Whacker dealer to order replacements for them.
- In order to replace the safety decals, the equipment must be clean and dry. Then remove the adhesive backing and place it on the equipment.

# Decals Part Numbers and Placement

4415



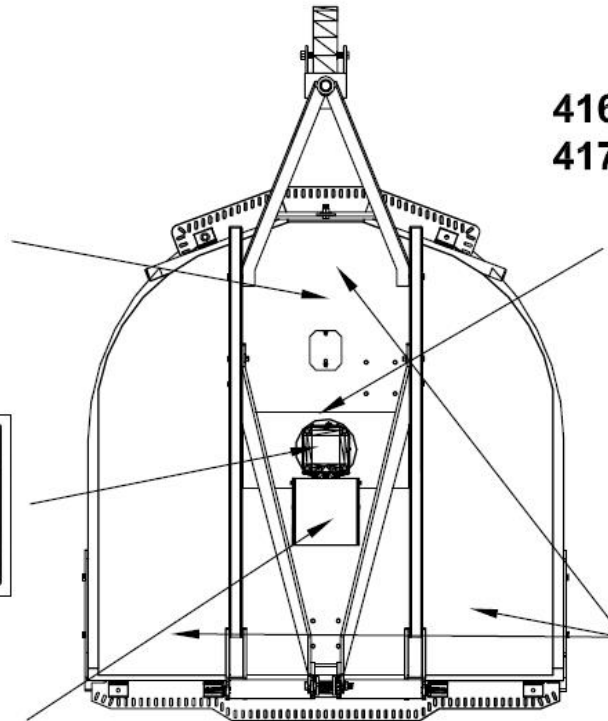
4168



4169 for 540 RPM  
4170 for 1000 RPM



4416



2572



2569



5811



# Safety Warnings

## Operations

This mower can be ordered from the factory as a 540 RPM machine.

Always make sure that the tractor and mower have the same PTO speed. Check the tractor manufacturer's instruction manual for the proper engine RPM to achieve the proper PTO speed. **DO NOT** operate the mower at any higher RPM, doing so will cause damage to the mower as well as create an extreme hazard to the operator, passersby, or animals. Also note that doing so will void the warranty of the machine. The mowers are factory equipped with clevis and hitch pins CAT 2. Also they work on a tractor equipped with a quick hitch CAT 2 frame only.

**NEVER** operate a rotary mower with a person or animal in the area. The blades may throw objects for great distances and can strike a person, passersby, or animal causing serious injury or death.



Stop operation of the machine for a passerby or if someone appears to be approaching the area. Objects can be thrown for hundreds of yards at great speed.



**ALWAYS** inspect the deflector shields and/or chain guards daily to ensure that they are in proper working order and that no chains are missing. If the deflector shields or chain guards are not operating correctly, chain links are missing, or the complete deflector shields or chain guards assembly is missing, do not operate the mower. **NEVER OPERATE THE MOWER WITHOUT CHAIN GUARDS OR DEFLECTORS IN PROPER**

Rocks, gravel, wire, rope, bricks, or similar objects are potential hazards for rotary mowers operation. These items can cause damage to the machine; but more importantly, they can be ejected from underneath the mower at very high speeds, resulting in property damage, injury or even death. Always inspect the mowing area prior to the operation of any rotary mower. If any of these objects or similar objects are found, remove them immediately before operation.

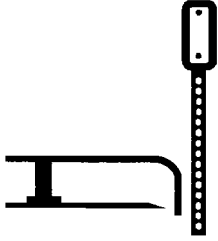


**NEVER** operate the mower without the driveline safety shields in place and in proper working order. Operation without safety shields can lead to injury or death.

**EXTREMELY IMPORTANT**—Make sure all gearbox shields are in place and tightened before operating the mower. If one works loose, stop mowing and tighten immediately. **NEVER OPERATE THE MOWER WITHOUT ALL GEARBOX SHIELDS PROPERLY INSTALLED. OPERATION WITHOUT SAFETY SHIELDS MAY CAUSE SERIOUS INJURY OR DEATH.**

# Safety Warnings

## Operations



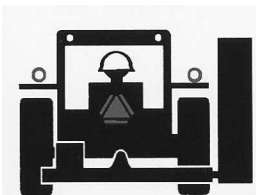
Avoid hitting hard solid objects such as large rocks, concrete culverts, guard rails, etc. This could cause serious damage to the machine. Broken machine parts or pieces of the object can be thrown at very high speeds. This could result in serious injury or death to persons at a considerable distance from the rotary mower.

**NEVER ALLOW ANYONE TO RIDE ON THE MOWER OR THE TRACTOR.** This equipment, if not operated properly, could be potentially dangerous; therefore, **NEVER ALLOW A CHILD TO OPERATE A ROTARY MOWER.**



Thoroughly examine the rotary mower each day before operating. Tighten loose bolts, nuts, and hydraulic fittings. Replace all damaged or broken parts, including hydraulic hoses. If rotary mowers are not kept in proper working order, they could be damaged and this could result in serious injury.

**NEVER** engage in repair work under the mower deck or any other part of the mower that is raised off the ground until the mower is safely and securely supported in the raised position. Inadequate support can result in the mower falling, which could result in serious injury or death.



Use **proper signage** around working area. This will help the operator have a safe place to work, and help passers by to take appropriate precautions.

Use the proper **reflective devices** on the equipment to help prevent accidents.

Make sure that all rules of the road are followed, and Slow Moving Vehicle (SMV) rules are also observed



**Always inspect the area before mowing for potential mower hazards.** Remove or avoid all foreign objects such as wire, cable, metal objects, and all other foreign material. **Failure to do so could result in serious injury to the operator or passerby from foreign material being thrown from the mower.**

# Safety Warnings

## Attaching/Detaching Cutter

If operating along roadway, keep equipment within the **lane closest to the work area**. Never operate equipment against the flow of traffic, which could possibly result in a head-on collision causing serious injury or death.



Never use equipment around railroad tracks without direct railway supervision. Inexperience in railway operations may cause loss of communications, loss of signals, rail and tie damage or derailment.



**NEVER** cross railway tracks anywhere other than at normal traffic crossings. Unauthorized machinery on railways are in extreme danger of being struck by locomotives and railway machinery resulting in damaged equipment, serious injury or death.

Before approaching any rotary mower or before dismounting the tractor, always make sure of the following:

The tractor transmission is in the parking gear, and the parking brake is set to keep the tractor from moving while unattended.

The tractor PTO is disengaged.

The engine has stopped, the key is out of the ignition, and all moving parts (both tractor and mower) have completely stopped. The rotating parts of the tractor and rotary may continue to rotate after the PTO has been disengaged.

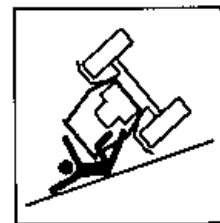
**THE OPERATOR SHOULD REMAIN SEATED UNTIL ALL MOVEMENT HAS CEASED!**



**NEVER WORK ON THE ROTARY MOWER WITH THE POWER ON.**

## Rollover

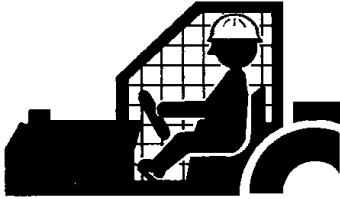
Care must be taken when operating on uneven terrain, ditches, or embankments. The chances of the tractor and/or mower rolling over are increased. Also, the chance of objects being thrown by the blade are increased when operating under these adverse conditions.





# Safety Warnings

## Rollover



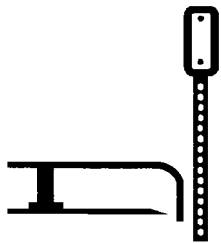
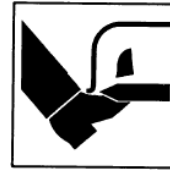
Never operate the equipment without the **Roll-Over Protective Structure (ROPS) and without a seat belt**. These items prevent injury in a roll-over accident. It is also highly recommended to wear protective equipment such as a hard hat, safety glasses, safety shoes, and ear plugs.

**OPERATE CAREFULLY!** It is important to slow down when turning and when going down slopes. Doing so could result in a roll over and injury, or possibly death, to the operator.



## Rotating Blades

Stay away from rotating blades. **Keep hands and feet clear of rotating blades and discharge areas at all times.** Never get close to the blades until **all motion has stopped and machine is turned off.**



Never allow **rotating blades to contact solid objects** like rocks, posts, curbs or guard rails. **Only operate if all guards and deflectors are in place and in good working condition.**

Never operate equipment with loose blades. Retighten after the first 8 hours of use and after blade replacement.

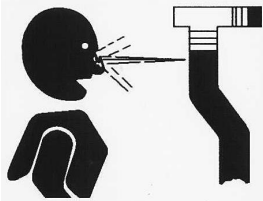


- Never operate with mower deck raised if bystanders or traffic are in the area. This helps to prevent injury or death from objects thrown by the blades.
- Stop cutting if someone comes within 300 feet. **DO NOT operate equipment with bystanders in the area!** Rotary mowers have the ability to throw debris considerable distances when blades are allowed to strike foreign objects. Operator must exercise caution or serious injury or even death could result.

# Safety Warnings

## Hydraulics

Relieve all pressure in the hydraulic lines by setting the mower deck on the ground, shutting the tractor off, and actuating lift valve handles before disconnecting hoses. This relief of pressure will reduce possibility of serious injury from spewing hydraulic fluid.



Frayed, torn, or crimped hoses may rupture and spray boiling oil onto Operator and cause serious bodily injury from scalding.



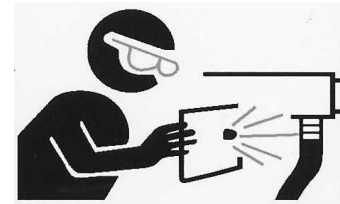
Failure to inspect and repair or replace hoses may cause worn hoses to **rupture suddenly** and **violently** resulting in **serious bodily injury** from **scalding or fire** with resulting burn injury or death.

**Boiling oil** may spray onto hot tractor parts and **catch fire** causing severe burn injury or death.



**Inspect hoses daily and repair or replace when needed.** Stop all leaks. Repair or replace hoses as indicated to prevent unexpected failure and possible serious injury to operator or bystander.

**Use paper or cardboard to check for leaks.** Never use your hand. If **oil penetrates skin**, gangrene or other serious injury could occur. **If skin is penetrated by hydraulic fluid, get immediate medical attention.**



## Safety Conclusion

Now that the operator has read the information provided in this manual; he or she should now be aware of how dangerous a rotary mower can be if operated improperly. It is important that the operator of this equipment should be cautious, conscientious, and use common sense when operating this equipment in order to avoid serious injury and or death to the operator, support personnel, passersby, or animals.

**Safety  
Depends on You!**

## General Maintenance

Refer to tractor's service manual for proper tractor maintenance.

**NEVER service the mower with the power on, except where otherwise stated.**

Before working on a mower always check to see that:

- The tractor's transmission is in the parking gear and the parking brake is set to keep the tractor from moving while unattended.
- The tractor PTO has been disengaged.
- The engine is off and all moving parts (both tractor and mower) have completely stopped.

The rotating parts of the tractor and mower continue to rotate after the PTO has been disengaged. The operator should remain seated until all movement has ceased.

Never engage in repair or service work under the mower deck or any other part of the mower that is raised off of the ground until the mower is safely and securely supported in the raised position.

Use extreme caution when working on a mower. Many of the parts are heavy and sharp and can cause serious injury if they are dropped or fall on the operator or bystander.

The blades are very sharp and can pivot. Use extreme caution when performing maintenance on them. Failure to do so could result in serious injury or possibly even death.

Use marfac double ought grease or cotton picker spindle grease to lubricate all Bush-Whacker gearboxes. Replacement gearbox grease is available from your Bush-Whacker dealership.

**Always use genuine Bush-Whacker replacement parts, available through the network of authorized dealers. The use of non-OEM parts will void the warranty of this machine. Non-OEM parts, specifically blades and blade bolts, may not meet Hall Manufacturing Inc. specifications and could lead to serious injury or death.**

### At Least Twice Daily

#### Rotor Bar Assembly, Blades, Blade Bolts, and Nuts

- Check blades for any signs of cracking or damaged cutting surfaces. If a blade is cracked, replace the set at once. DO NOT operate the mower at any time with a cracked or severely damaged blade! If a blade breaks, it could cause severe injury or possibly death.
- Check if blade cutting surfaces are dull. If they are, re-sharpen or replace blades.
- Check if blade bolts and nuts are loose, cracked or damaged. DO NOT operate the mower with any of those characteristics. Any of these conditions could allow the blade to come loose and could cause injury or possibly death. Always keep the blade bolts and nuts tightened to 350 ft. lbs. of torque.
- DO NOT operate the mower with just one blade.

## At Least Twice Daily

### Rotor Bar Assembly, Blades, Blade Bolts, and Nuts

- Make sure rotor bar assembly is securely attached with castle nut and cotter pin to the output shaft.
- Always make sure to replace the blades in sets.

NOTE: When mowing at low cutting heights or on uneven terrain, the blades can come in contact with the ground frequently. When this happens, the blade tips can be pushed upwards causing the blade to bend. By pushing upwards on the blade tip, the rear of the blade (at the bolt hole) is forced downward away from the rotor bar assembly. This causes the bolt to be pulled through the bar and can cause it to shear. When the bolt shears, it will throw a blade. When operating in these conditions, the operator must check the blade bolts more frequently than normal, at least four times a day.

Always use genuine Bush-Whacker replacement blades, bolts, and nuts. Other blades may not meet Hall Manufacturing specifications and could lead to serious injury or death.

### Hydraulics

- If at any time the hoses become frayed, worn, or pinched, replace them.

## Daily

### Shields

- Make sure ALL shields are in place and tightened before operating the mower. If one works loose, stop mowing and tighten immediately.
- Replace shields if there's any damage or excessive wear.

### Drive Shafts

- Inspect the Drive Shaft Shields, make sure that they are installed and working properly. If shields become damaged or loose during operation, stop immediately and fix or replace them.
- Make sure the drive shaft shield mounting chains are securely fastened.
- Inspect cross kits
- Grease each zerk fitting with natural or synthetic lubricants. Never mix the two types of lubricants.
- Check Drive Shaft tubes to ensure that they telescope properly. If they do not, replace them.

## Daily

### Gearboxes

- Check gear lube. If the grease is lower than the inspection plug on the rear side of the gearbox, then fill to the level of the plug. NOTE: Do not overfill the gearbox. If the grease level of the gearbox is low, additional grease can be purchased from your Bush-Whacker dealer.
- Inspect output shaft for vines, wire, rope, etc. that may collect around the shaft and tear up the output seal. If a seal is leaking, replace it, or risk overheating and severe damage to the gearbox.
- Check the mounting bolts and nuts to be sure that they are correctly secured. If left unchecked, it could cause excessive vibrating which could damage the equipment.

### Pins, Bolts, and Nuts

- Inspect all pins, bolts, and nuts, making sure that they are all in place and secure. Look for loose fasteners and tighten to the proper torque, as required.
- Make sure the three point hitch mount and stabilizer pins are secure, and Top Links are not loose or slack.

### Skid Shoes

- Check for any wear or damage, replace if required.

### Frame

- Look for any structural cracks, damage and wear.
- Keep the equipment clean. Inspect for debris caught in the machine, especially at all pinch points.

### Wheel Hubs

- Grease wheel hubs at zerk fitting once a day before operating the mower. Check seals for leakage. Replace seals if a leak is detected. Also, check bearings for damage. If they have seized, they are damaged; replace them immediately before use.

### Rubber Guards

- Rear and front rubber guards are standard equipment for MD type Bush-Whacker rotary mowers. NOTE: Chain guards are optional for the MD type mowers.
- Always inspect the chain guards to be sure no chain links are missing and the guards are operating correctly. If the guards are not operating correctly, links are missing, or the complete chain guard assembly is missing, do not operate the mower. **Never operate the mower without chain guards in proper working order.**

## Every 1,000 Hours or Annually

It is recommended to do annual, pre-season maintenance at the end of each operating season, rather than at the beginning.

The mower should be stored in the off-season **cleaned, inspected and repaired**. This will help prevent any rust forming on the mower's surfaces and contaminants damaging the hydraulic

## **Gearbox Disassembly Procedure**

1. Remove 3/8" bolts from input cap. Remove the input cap taking care not to damage the seal in the cap.
2. The input shaft assembly can now be removed. To disassemble the input shaft assembly it is not necessary to remove the retaining ring. The bearing will press off of the ends of the shaft and the gear will slide off.
3. The output gear will slide off of the output shaft.
4. Remove the 1/2" bolts from the output cap and remove the output cap; once again take care not to damage the seal.
5. The output shaft assembly will have to be pressed out from the inside or it can be pulled out. The bearings will need to be pressed off.
6. If any of the bearing races either in the housing or in the input cap need to be removed, a blind hole bearing puller should be used.

## Gearbox Assembly Procedure

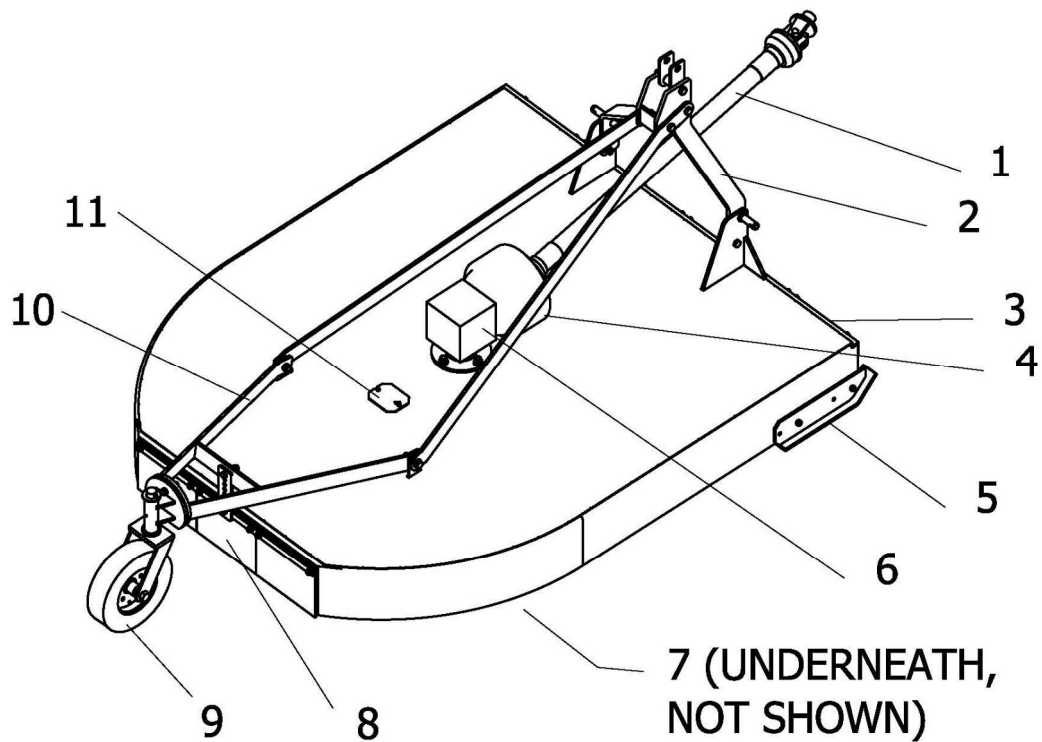
1. The output assembly goes into the housing first. If the upper bearing race has been pulled out it must be pressed in. After the bearings are pressed onto the output shaft, the shaft can be inserted into the housing.
2. The lower bearing race will have to be pressed into the housing until it is flush with the bottom surface of the housing. Using the same number and thickness of gaskets replace the output cap. The 1/2" bolts are torqued to 60 foot pounds.
3. The bearing preload is measured by rolling torque. The rolling torque should be between 6-15 inch pounds. If the rolling torque is too high the output cap will need to be removed and an additional gasket added. When a gasket is added the lower race will need to be pulled out slightly. If the rolling torque is too low or there is any movement of the output shaft, a gasket will need to be removed.
4. Once the preload is set, remove the output cap. Install the seal into the cap and apply sealant to the gaskets. Replace the output cap, making sure the torque is correct.
5. Slide the output gear onto the output shaft in the housing.
6. The bearing race for the rear bearing on the input shaft must be pressed in.
7. Slide the input gear onto the shaft to the retaining ring. Then place the spacer above the gear. Press the bearing on the front of the input shaft. Lastly, press the bearing onto the rear of the shaft.
8. Place the input shaft assembly in the housing and check the gear mesh and back lash. The gear mesh is correct when the back surface of the gear teeth are level. The back lash should be between 0.006" and 0.014" when measured at the pitch diameter of the gear set. If the gear mesh or back lash are incorrect use shims to correct.
9. Press the bearing race into the input cap. Using the same number and thickness of gaskets, place the input cap on the housing. Torque the 3/8" bolts to 25 foot pounds.
10. The bearing preload is measured in the same manner as for the output shaft. The rolling torque should be between 11-25 inch pounds. Refer to step 3 for correction of the preload.
11. Once the preload is set, remove the input cap. Install the seal into the input cap and apply a sealant to the gaskets. Replace the input cap taking care not to damage the seal. Check the position of the oil plugs on the input cap. The oil level check plug should be just below and to the right of the input shaft, with the fill plug directly under the input shaft. Torque the bolts back to 25 foot pounds.
12. Fill the gear box with the recommended lubricant in an upright position similar to the mounting position. Fill the gearbox to the level plug (1/8" pipe plug). Check the lubricant with a dipstick (a small piece of wood works well as a dipstick).





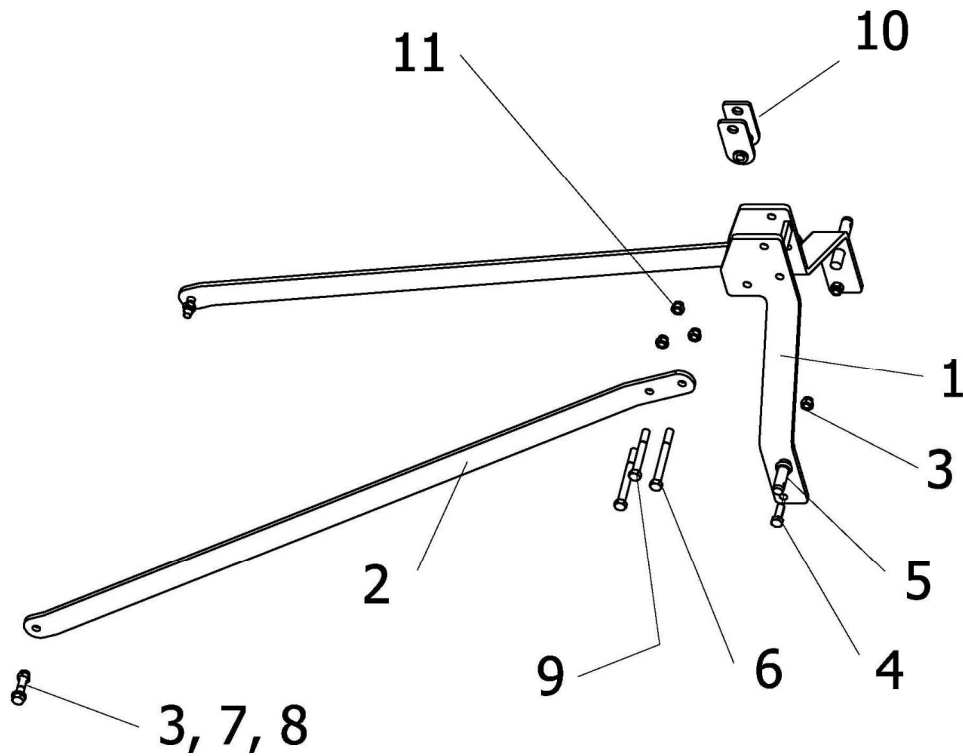
# Partsbook

## Assembly Breakdown



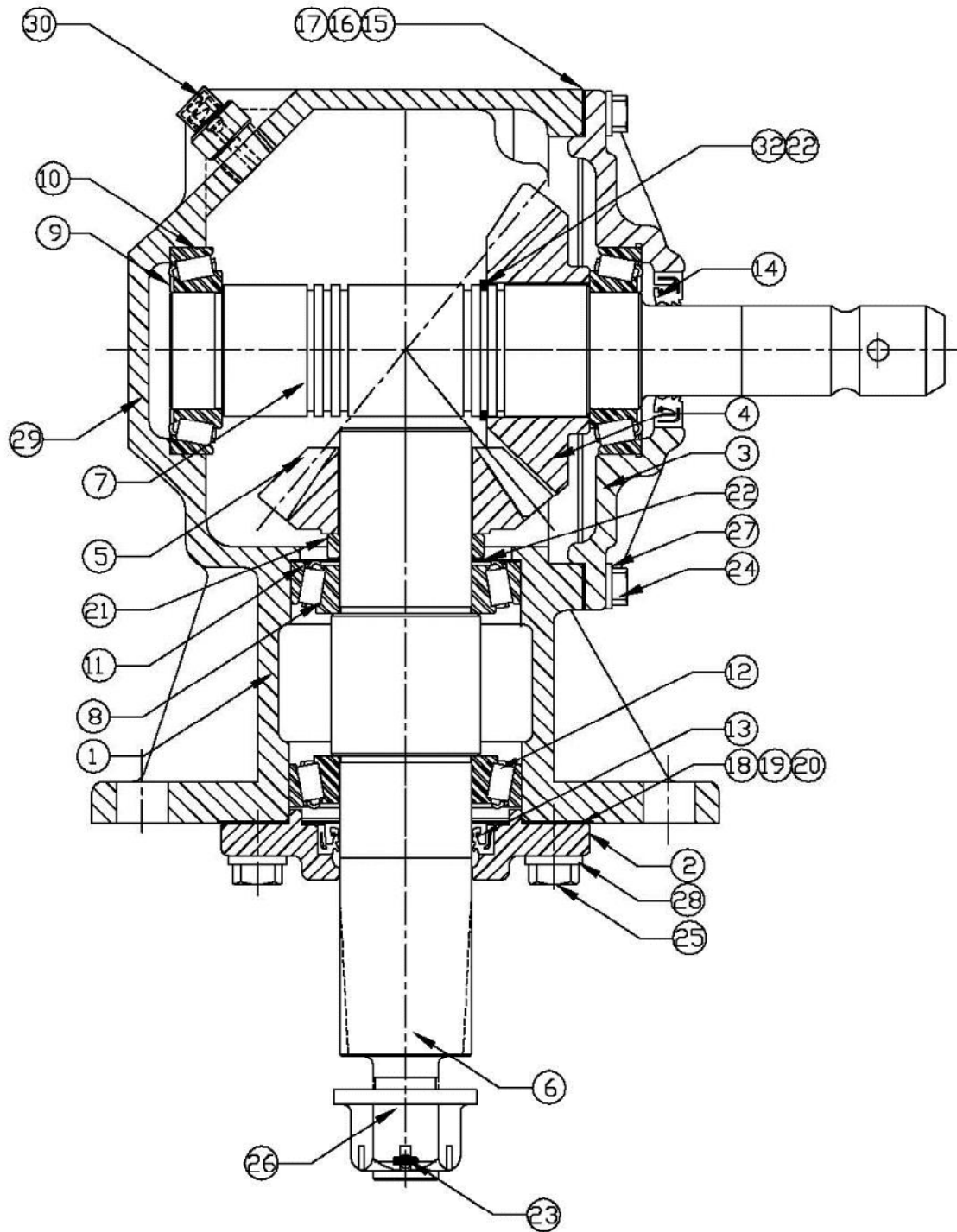
Ref. No.	Description	Page Number
1	Drive Shaft	25
2	Hitch Frame Assembly	19
3	Front Rubber Guard Assembly for MD 84	27, 28
4	Gearbox Shield ( Not illustrated )	32
5	Skid Shoe Assembly	
6	Gear Box	20-21
7	Rotor Bar Assembly	22
8	Rear Rubber Guard Assembly	26
9	Complete Tail Wheel Assembly	24
10	Tail Wheel "A" Frame Assembly	23
11	Access Cover ( Not illustrated )	32
12	Optional Equipment & Other Items Not Illustrated	29-32

## Hitch Frame Assembly



Ref. No.	Part No.	Description	Qty
1	5853	Hitch Frame	1
2	5863	Link for MD 84	2
3	2077	Nut	5
4	5612	Bolt	2
5	C 222	Hitch Pin Cat. 2	2
6	3284	Bolt	2
7	5808	Bolt	2
8	3285	Washer	2
9	0-106	Bolt	1
10	4860	Clevis Cat. 2	1
11	2077	Nut	3
12	C 112	Lynch Pin ( Not Shown )	2

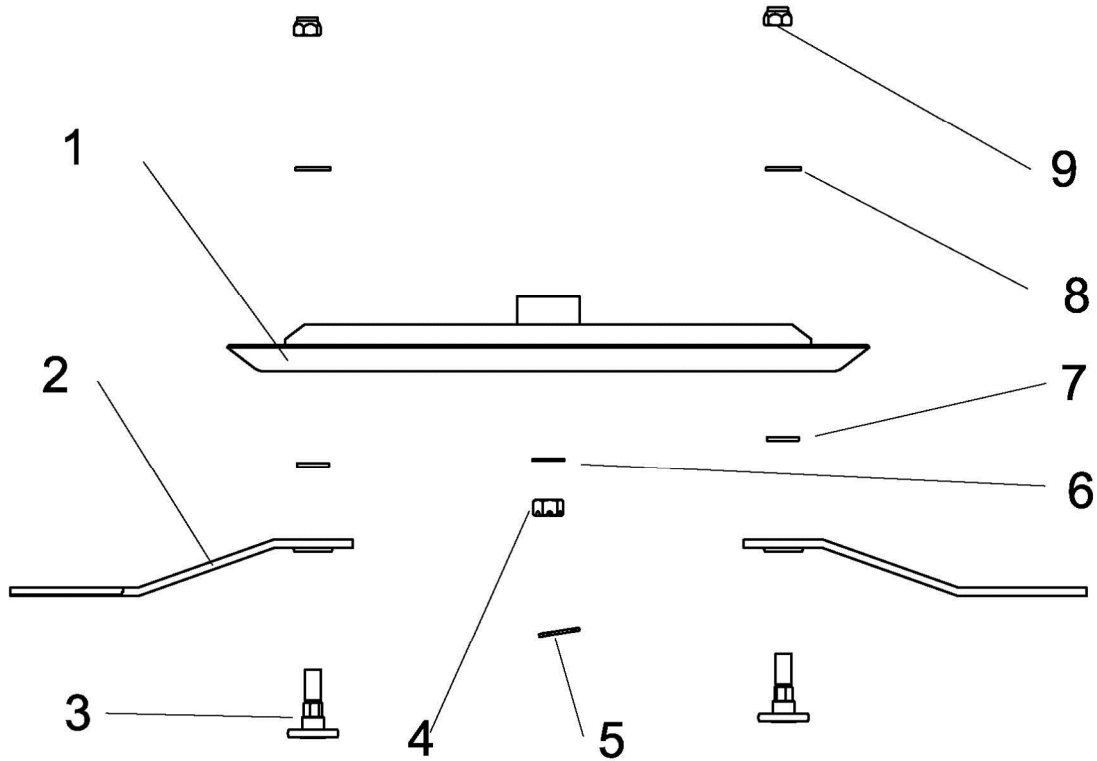
**5798 Gear Box**  
(See Maintenance Section for Recommended Lubrication)



**5798 Gear Box**  
**(See Maintenance Section for Recommended Lubrication)**  
**Parts List**

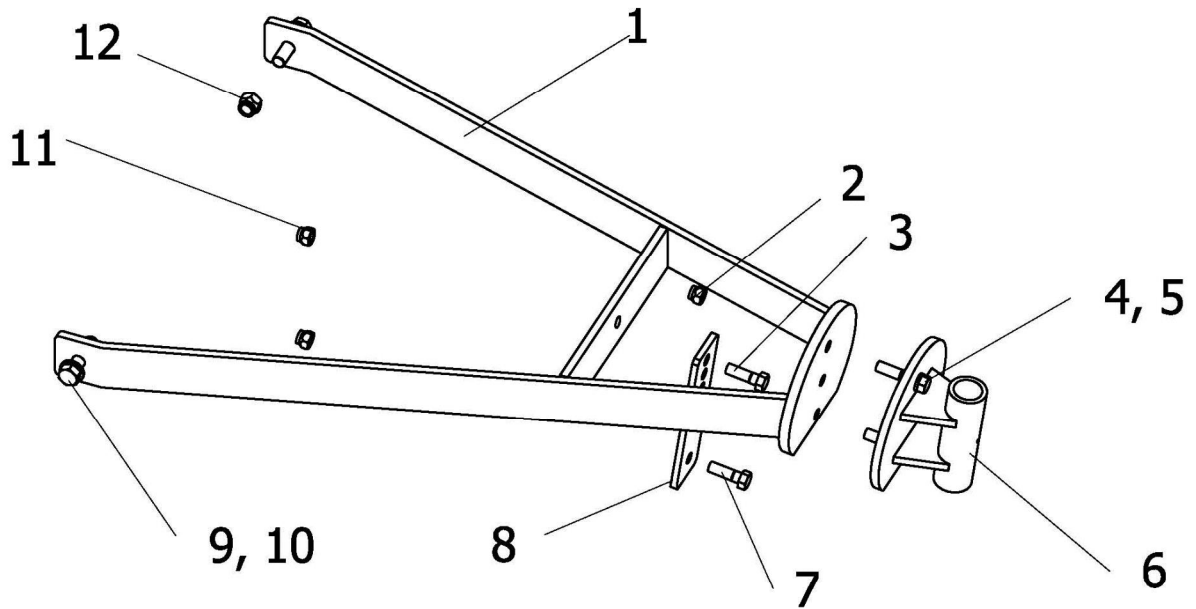
Ref. No.	Part No.	Description	Qty.
1	5750	HOUSING	1
2	2732	CAP—OUTPUT	1
3	2726	CAP—INPUT	1
4	5868	PINION—14 T, OUTPUT	1
5	5867	GEAR—17 T, IN PUT	1
6	5869	SHAFT—OUTPUT	1
7	5709	SHAFT—INPUT, 1-3/8" - 6	1
8	2711	BEARING CONE	2
9	1422	BEARING CONE	2
10	2717	BEARING CUP	2
11	2712	BEARING CUP	1
12	2729	BEARING CUP	1
13	5708	SEAL	1
14	5870	SEAL	1
15	5871	GASKET INPUT CAP—0.30	VAR
16	5872	GASKET INPUT CAP -0.15	VAR
17	5707	GASKET INPUT CAP -0.10	VAR
18	2731	GASKET OUTPUT CAP—0.30	VAR
19	1410B	GASKET OUTPUT CAP—0.15	VAR
20	2730	GASKET OUTPUT CAP—0.10	VAR
21	5873	SPACER	1
22	3231	SHIM 0.25	VAR
23	5706	COTTER PIN	1
24	4963	HEX HD. SCREW	8
25	4256	HEX HD. SCREW	4
26	1420	HEX SLOTTED NUT	1
27	5446	LOCK WASHER	8
28	2733	LOCK WASHER	4
29	2742	PIPE PLUG—SQ. HD.	1
30	5246	PLUG—PRESSURE RELIEF	1
31	2719	RETAINIG RING	1

## Rotor Bar Assembly



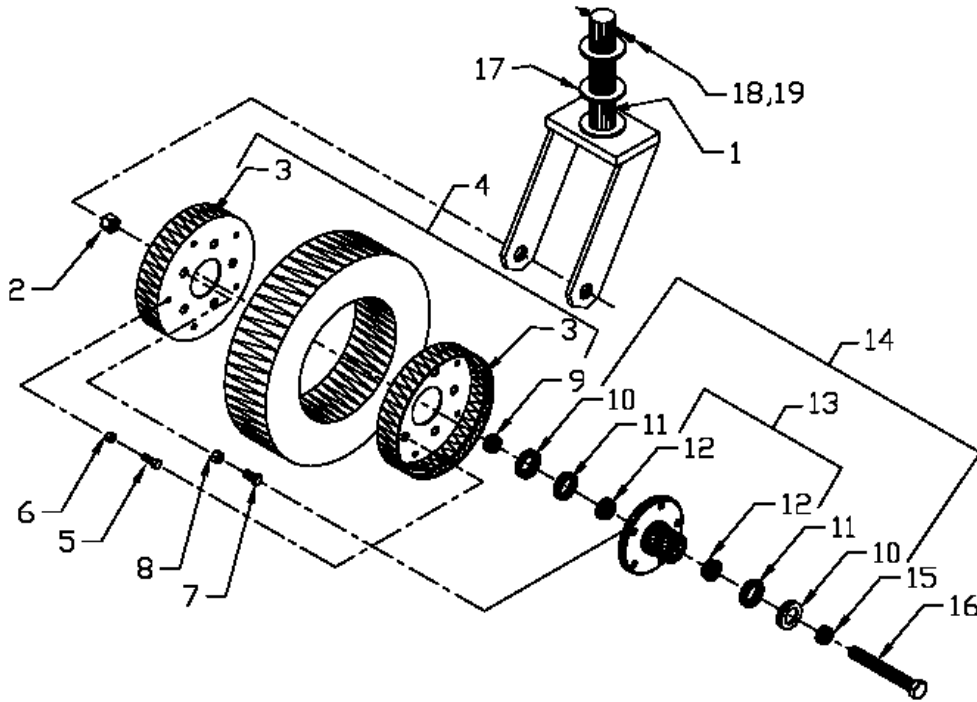
Ref. No.	Part No.	Description	Qty	Remarks
1	5855	Blade Bar with Stump Jumper for MD 84	1	
2	3257	Blade	2	
3	3095	Bolt	2	
4	1421	Output Shaft Nut	1	
5	5706	Cotter Pi8n	1	
6	1420	Output Shaft Washer	1	
7	3096	Washer	2	
8	2106	Washer	2	
9	2105	Nut	2	

## Tail Wheel "A" Frame Assembly



Ref. No.	Part No.	Description	Qty
1	5874	"A" Frame	1
2	3148	Lock nut	2
3	5857	Bolt	1
4	3147	Bolt	2
5	4162	Lock washer	1
6	5879	Single tail wheel assembly	1
7	4458	Bolt	1
8	5739	Adjusting strap	1
9	5808	Bolt	2
10	3285	Washer	2
11	3148	Nut	2
12	2077	Nut	2

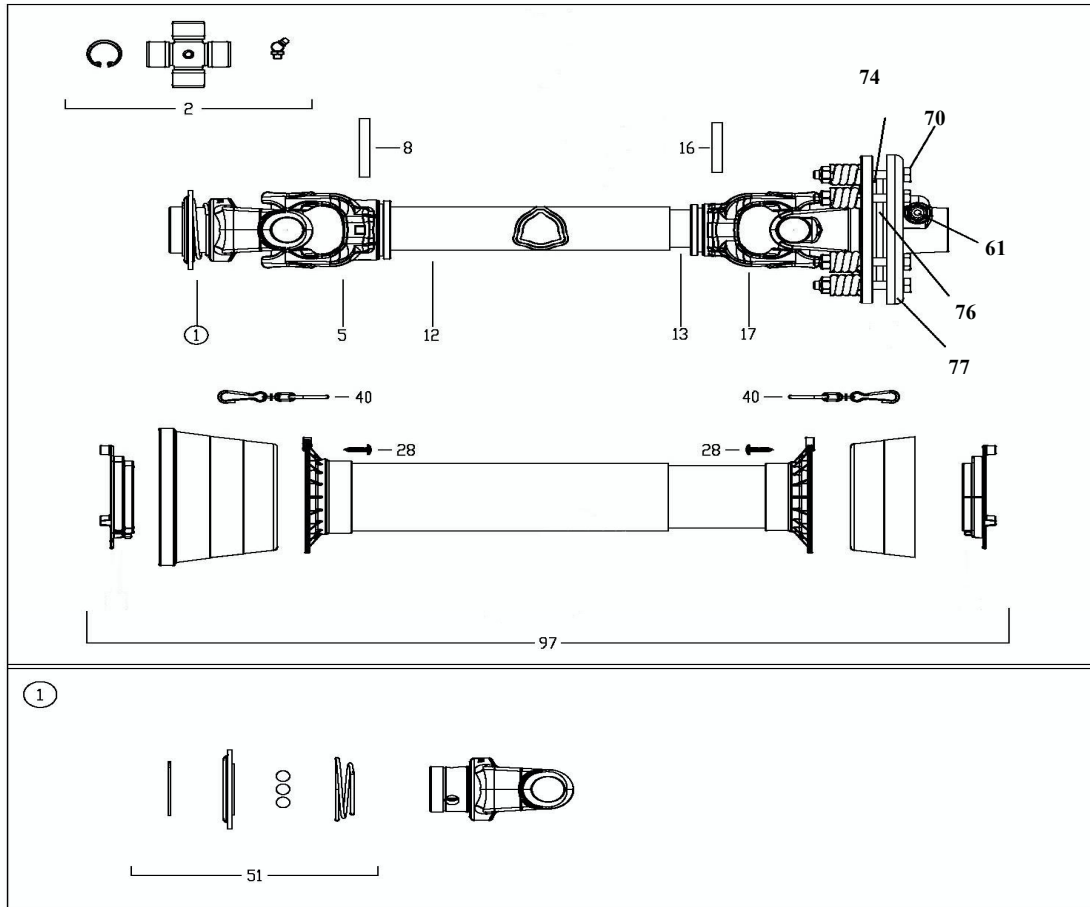
## 3176 Complete Tail Wheel Assembly



Ref. No.	Part No.	Description	Qty
	3176	Complete Tail Wheel Assembly	1
1	3177	Tail Wheel Fork	1
2	3178	Nut	1
3	3179	Wheel Only, 2 piece	1
4	3180	Tire and Wheel—less Hub	1
5	3181	Bolt	5
6	3182	Nut	5
7	3183	Bolt	5
8	3184	Nut	5
9	3185	Spacer	1
10	3186	Seal	2
11	3187	Bearing Cone	2
12	3188	Bearing Cup	2
13	3189	Hub with Races and Studs	1
14	3190	Hub Complete with Bearings and Seals	REF
15	3191	Spacer	1
16	3192	Axle Bolt	1
17	3230	Washer	2
18	2513	Nut	1
19	5187	Bolt	1
10,11, 12	4884	Bearing kit	1

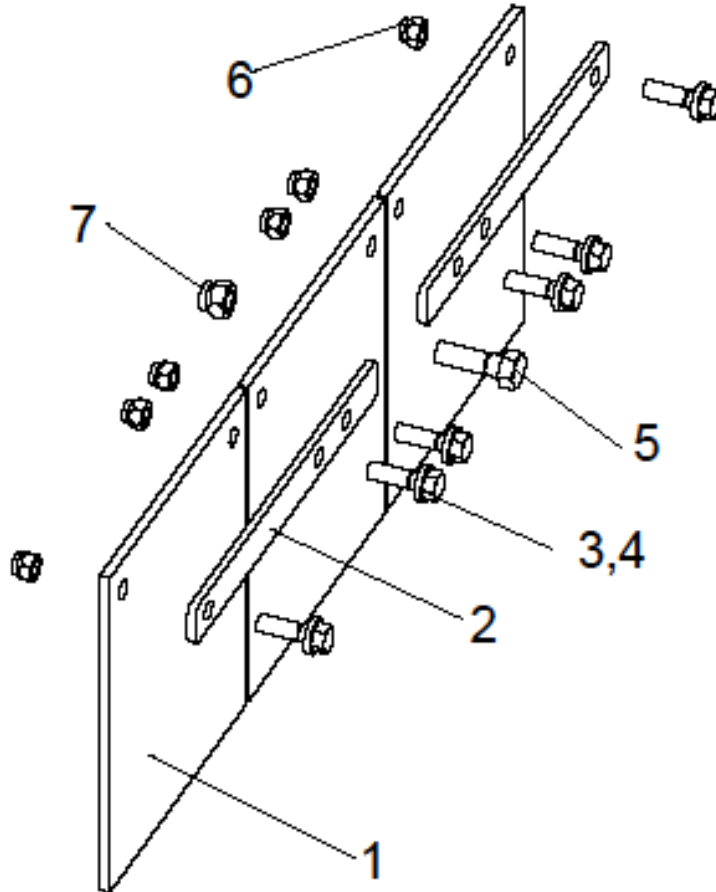


## 5813 Complete Drive Shaft for MD 84



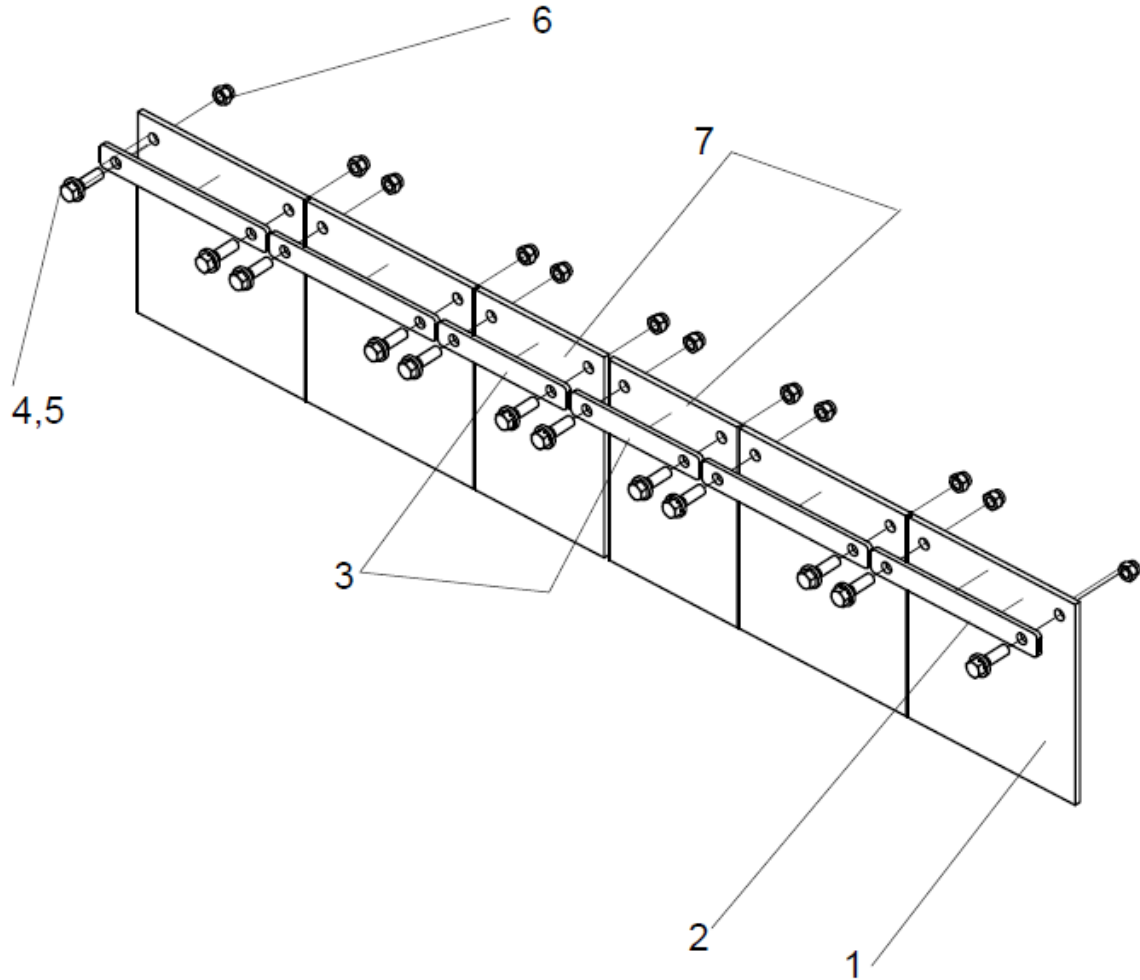
Ref. No.	Part No.	Description	Qty
1	5093	Yoke	1
2	6153	Cross Journal	2
5	5776	Yoke	1
8	4924	Roll Pin	1
12	6154	Outer Tube	1
13	6155	Inner Tube	1
16	5747	Roll Pin	1
17	5748	Yoke	1
28	5050	Screw	5
40	5771	Shield Chain	2
51	4934	Ball Collar Kit	1
61	5684	Taper Pin	1
70	6156	Bolt/Nut	8
74	6157	Clutch Lining	2
76	6158	Clutch Inner Plate	1
77	6159	Clutch Pressure Plate	1
97	6160	Complete Shield Kit	1

## Rear Rubber Guard Assembly



Ref. No.	Part No.	Description	Qty
1	5858	Rubber Guard	3
2	5859	Rubber Guard Strip 2	2
3	2335	Bolt	6
4	2336	Washer	6
5	4458	Bolt	1
6	2336	Nut	6
7	3418	Nut	1

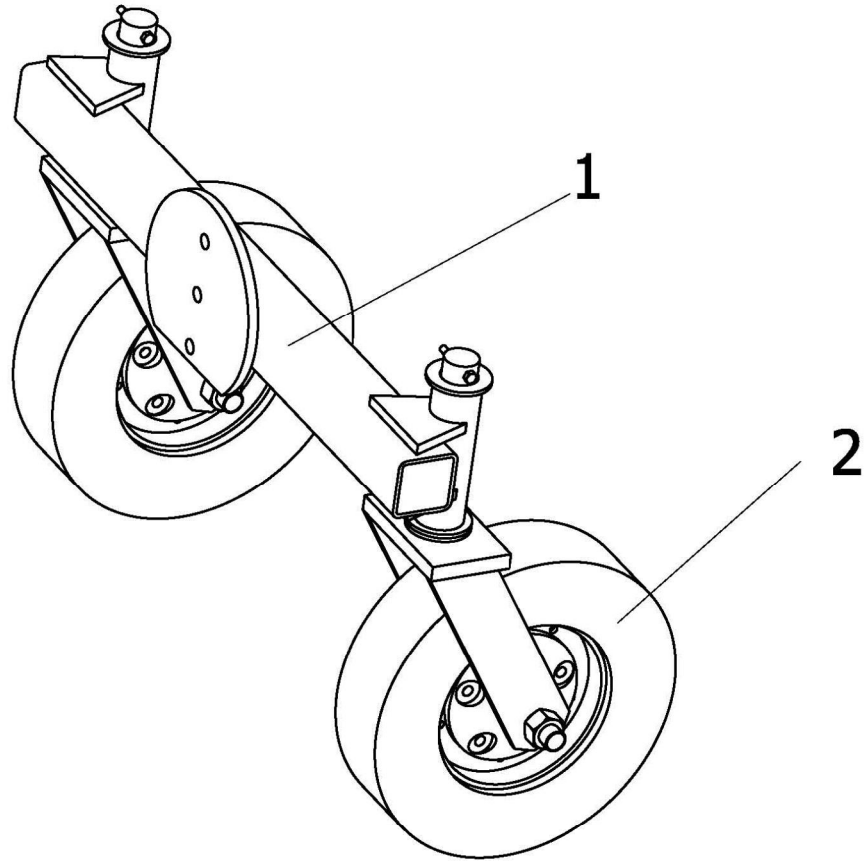
## Front Rubber Guard Assembly



Ref. No.	Part No.	Description	Qty
1	5858	Rubber Guard Front	4
2	5861	Rubber Guard Strip 1	4
3	5862	Rubber Guard Strip 2	2
4	2335	Bolt	12
5	2337	Washer	12
6	2336	Nut	12
7	5860	Rubber Guard Front	2

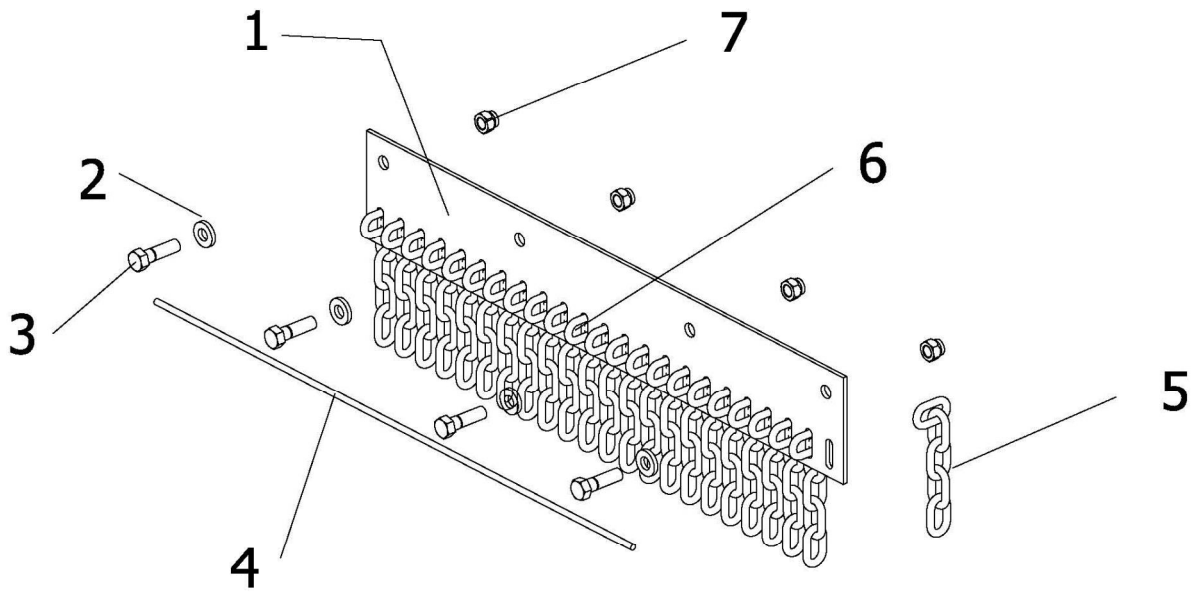
Optional  
Equipment  
and  
Other Items  
not Illustrated

## Double Tail Wheel Assembly



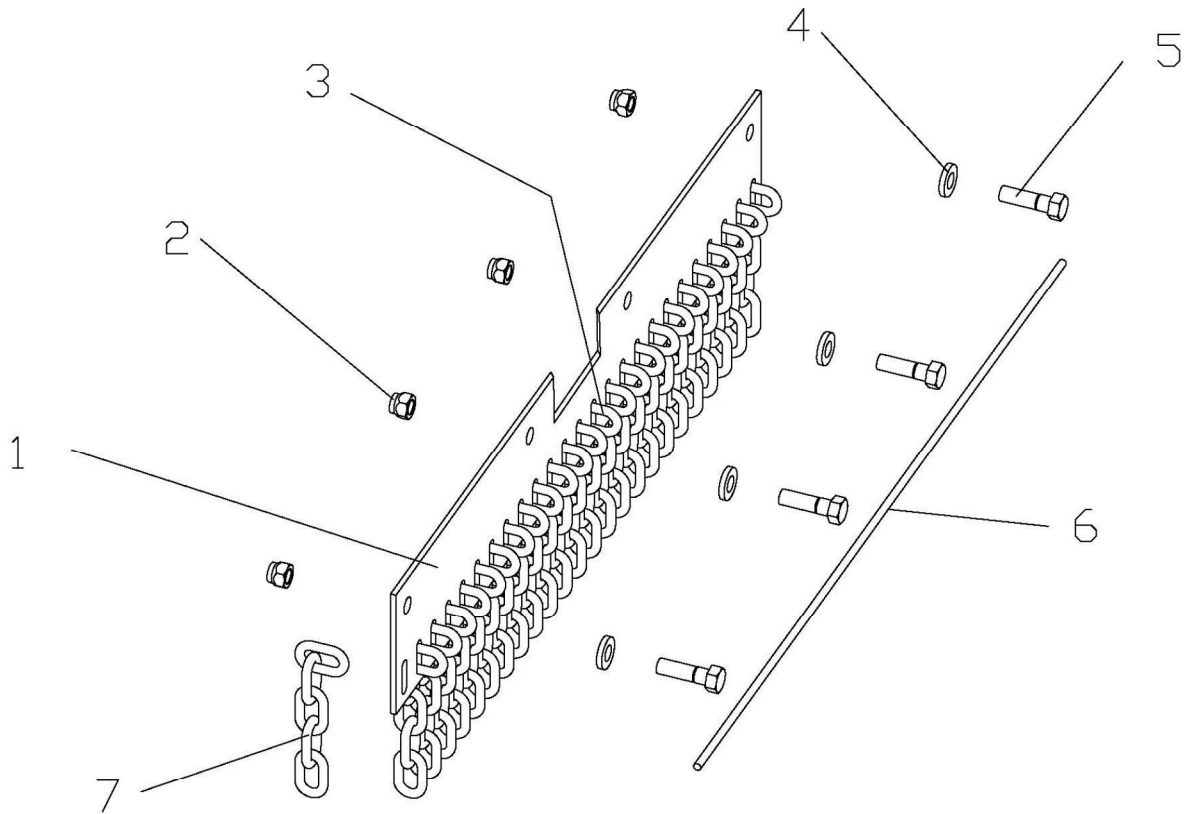
Ref. No.	Part No.	Description	Qty
1	5875	Double Tail Pivot	1
2	3176	Complete Tail Wheel Ass'y ( See page 24 )	2

## Front Chain Guard Assembly 2 Each per mower



Ref. No.	Part No.	Description	Qty
1	5880	Chain Guard Plate for MD 84	1
2	2337	Washer	3
3	2335	Bolt	3
4		Chain Guard Rod	1
5	3583	Chain 5 Links	30
6	3585	Clamp	1
7	2336	Nut	3

## Rear Chain Guard Assembly 1 Each per mower



Ref. No.	Part No.	Description	Qty
1	5889	Chain Guard Plate	1
2	2336	Washer	4
3	3585	Clamp	1
4	2337	Washer	4
5	2335	Bolt	4
6		Chain Guard Rod	1
7	3583	Chain 5 Links	30

## Items not Illustrated

Part No.	Description	Qty
2484	Standard Solid Rubber Tire	REF
2489	Rim for 2490 Tire	REF
2490	26" Aircraft Type Tire Assembly	REF
2622	Foam Filled Tire, Implement	REF
3275	26" Aircraft Tire Only	REF.
3276	Tube for 26" Aircraft Tire	REF.
3516	Foam Filled Aircraft Tire Assembly	REF.
3083	Access Cover	1
5173	Gearbox Shield	1



## HALL MANUFACTURING WARRANTY POLICY FOR BUSH-WHACKER ROTARY MOWERS

### NEW EQUIPMENT WARRANTY

Subject to limitations and exclusions set forth herein, Hall Manufacturing Inc. warrants that if any component or part of a machine manufactured by Hall Manufacturing, excluding any mechanical gearbox or mechanical gearbox component used by Hall Manufacturing, proves to be defective in material or workmanship within one (1) year from the delivery date of the original sale to the end user, Hall Manufacturing will, at its option, either repair or replace the defective part without charge. In addition, Hall Manufacturing warrants that if any mechanical gearbox or mechanical gearbox component used by Hall Manufacturing on any Bush-Whacker rotary mower proves to be defective in material or workmanship within three (3) years from the delivery date of the original sale, Hall Manufacturing will, at its option, either repair or replace the defective mechanical gearbox or gearbox part without charge, except for rotary mowers sold directly to a state or related governmental agencies for which the mechanical gearbox or mechanical gearbox component warranty period is limited to one (1) year from the delivery date of the original sale. No payment will be made in lieu of repair of the machine.

### LIMITATIONS AND EXCLUSIONS

If the equipment is used for rental the warranty period is ninety (90) days from the date of sale to the renter. This includes all mechanical gearboxes and their components.

This limited warranty covers defects in materials and workmanship in the parts manufactured or used by Hall Manufacturing excluding:

Damage resulting from accident, abuse, misuse, neglect or other than normal and ordinary use of the equipment.

Damage resulting from failure to use the product in accordance with the manufacturer's instructions.

Refer to the appropriate owner's manual for the Bush-Whacker mower model you purchased.

Hall Manufacturing shall be released from all obligations and liabilities under this warranty if:

The equipment had been operated with any accessory, equipment, component or part not manufactured by Hall Manufacturing or approved for use by Hall Manufacturing.

The equipment has been repaired, altered or modified without Hall Manufacturing's approval or if the equipment shall have been operated subsequent to its involvement in an accident or breakdown unless the Owner furnishes reasonable evidence that such repair, alteration, modification or operation subsequent to its involvement in an accident or breakdown was not a cause of the defect.

The Owner does not return, at Owner expense, the defective accessory, equipment component or machine to, or notify, an authorized Bush-Whacker dealer. The Owner shall be responsible for submission of reasonable evidence of proof of Date Discovery of said defect.

### REPLACEMENT PARTS WARRANTY AND PARTS REPLACED BY WARRANTY

Hall Manufacturing further warrants that if any genuine Bush-Whacker part or component utilized by an authorized Bush-Whacker dealer proves to be defective in material or workmanship, within thirty (30) days of such utilization, Hall Manufacturing will, at its option, repair or replace the defective part without charge. Owner shall be responsible for all freight charges including labor to and from the place where the warranty work is performed.

### WHAT YOU MUST DO TO ENFORCE THIS WARRANTY

Warranty services must be performed or approved by an authorized Bush-Whacker Dealer. The Owner must, at the Owner's expense, deliver, mail or ship the defective product together with the original Bill of Sale to any Authorized Dealer in the Owner's area.

Owner must pay any postage, shipping charges, insurance costs, freight and other expenses to and from the place where the warranty work is performed. If required to return equipment or any component or part to an authorized Bush-Whacker Dealer, Owner shall be obligated to pay any premium payable for overtime labor if overtime is incurred as a result or a request by the Owner.

### UNAPPROVED SERVICE OR MODIFICATION

All obligations of Hall Manufacturing under this warranty shall be terminated if:

Service is performed by someone other than a Dealer authorized by Hall Manufacturing

Equipment is modified or altered in ways not approved by Hall Manufacturing.

### ACCIDENTS AND NORMAL MAINTENANCE

This warranty covers only defective materials and workmanship. It does not cover depreciation or damage caused by normal wear, accident, improper maintenance, improper protection in storage or improper use. The cost of normal maintenance and replacement of service items such as: cutting parts, drive line cross kits and clutch pads, skid shoes, gearbox and drive line shields, tires, bearings, seals, chains, etc. shall be paid for by the Owner.

## HALL MANUFACTURING WARRANTY POLICY FOR BUSH-WHACKER ROTARY MOWERS

### DISCLAIMER OF IMPLIED WARRANTIES & CONSEQUENTIAL DAMAGES

Hall Manufacturing's obligation under this limited warranty, to the extent allowed by law, is in lieu of all warranties, Implied or expressed, **INCLUDING IMPLIED WARRANTIES OF MERCHANTABILITY AND FITNESS FOR A PARTICULAR PURPOSE** and any liability for incidental and consequential damages with respect to the sale or use of the equipment warranted. Such incidental and consequential damages shall include but not limited to: transportation charges loss of income; rental of substitute equipment, and expenses due to loss, damage, detention or delay in the delivery of equipment or parts resulting from acts beyond the control of Hall Manufacturing.

### IMPROVEMENTS OR CHANGES

Hall Manufacturing reserves the right to make improvements or changes in design and specification at any time without incurring any obligation to owners of units previously sold.

### WARRANTY CLAIMS PROCEDURE

Warranty claims must be delivered to Hall Manufacturing within thirty (30) days after the warranty service work was performed.

Hall Manufacturing will approved or deny claim within thirty (30) days of receiving a claim.

Hall Manufacturing will issue credit for all genuine Bush-Whacker parts or components as well as all approved Dealership employee labor time at a rate of \$30.00 per hour within thirty (30) days of the claim approval.

Defective parts must be held for inspection for ninety (90) days after the work is performed. Hall Manufacturing may request that parts be returned to the Hall Manufacturing factory for inspection.

### ACKNOWLEDGEMENT REQUIRED

Hall Manufacturing shall have no obligation under this warranty unless the Owner Registration Card, included with your Operators Manual, is signed by Owner and Dealer or Dealer's Agent and is delivered along with a copy of the original Bill of Sale from the Dealer to Hall Manufacturing within sixty (60) days from the date of sale.

-----

### COMPLETE THE WARRANTY REGISTRATION CARD

(ON THE FOLLOWING PAGE)

PLACE IN AN ENVELOPE ALONG WITH THE ORIGINAL BILL OF SALE

MAIL TO:

HALL MANUFACTURING, INC.  
P. O. BOX 5638  
NORTH LITTLE ROCK, AR 72119

# WARRANTY REGISTRATION

\*\* Return to Hall Manufacturing within sixty (60) days of purchase

Date of Purchase \_\_\_\_\_ Purchaser \_\_\_\_\_

Address \_\_\_\_\_ City \_\_\_\_\_ State \_\_\_\_\_

Product \_\_\_\_\_ Model# \_\_\_\_\_ Serial# \_\_\_\_\_

Dealer \_\_\_\_\_

Address \_\_\_\_\_

City \_\_\_\_\_ State \_\_\_\_\_

\_\_\_\_\_  
Signature of Original Buyer

\_\_\_\_\_  
Signature of Dealer or Dealer's Agent

\* Please include a copy of the original bill of sale



## Notes

