

Bush-Whacker MD-180 Premier 2011

Partsbook

540 RPM

15-Foot Smooth Deck Flex-Wing Rotary Cutter

Bush-Whacker is proud to introduce our new line of medium-duty smooth deck mowers.

The Premier Series is designed with the same innovation as the Elite Series, but a better fit for medium-duty jobs and the price conscious consumer.

Bush-Whacker mowers are best known for their innovative design, superior performance and proven durability. That's why state highway departments have been using them for over 40 years and still cutting.



- **Structural frame of mower is 3" channel, 1/4" thick.**
- **Heavy duty 3/8" side skirt with full length skid shoes.**
- **4-bolt mounting on gearboxes — heads are tack-welded to bottom of deck so one person can tighten the nuts or change the gearbox.**
- **Blades are 1/2" by 4" instead of traditional 1/2" by 3 1/2"**
- **Rated to cut up to 2" diameter.**
- **Hinges — Structural tubing with grease fittings**



Bush-Whacker®
KICKS GRASS!

Hall Manufacturing
3706 East Washington
PH: 501-945-7550

• P.O. Box 5638 • North Little Rock, AR 72119
• www.bush-whacker.com

PARTSBOOK

This part of the manual contains part numbers and illustrations based on the latest information available at the time of print.

Hall Manufacturing, Inc. reserves the right to make changes at any time without notice or obligation. Additional copies of the manuals are available from your local Bush-Whacker dealer.

Hall Manufacturing, Inc.
3706 E. Washington Ave., P.O. Box Drawer 5638
North Little Rock, AR 72119
(501)945-7550

**Always use genuine Bush-Whacker replacement parts,
available through the network of authorized dealers.**

Explanation of the terms in the Partsbook

Ref. No.—Refers to the numbered parts in an illustration

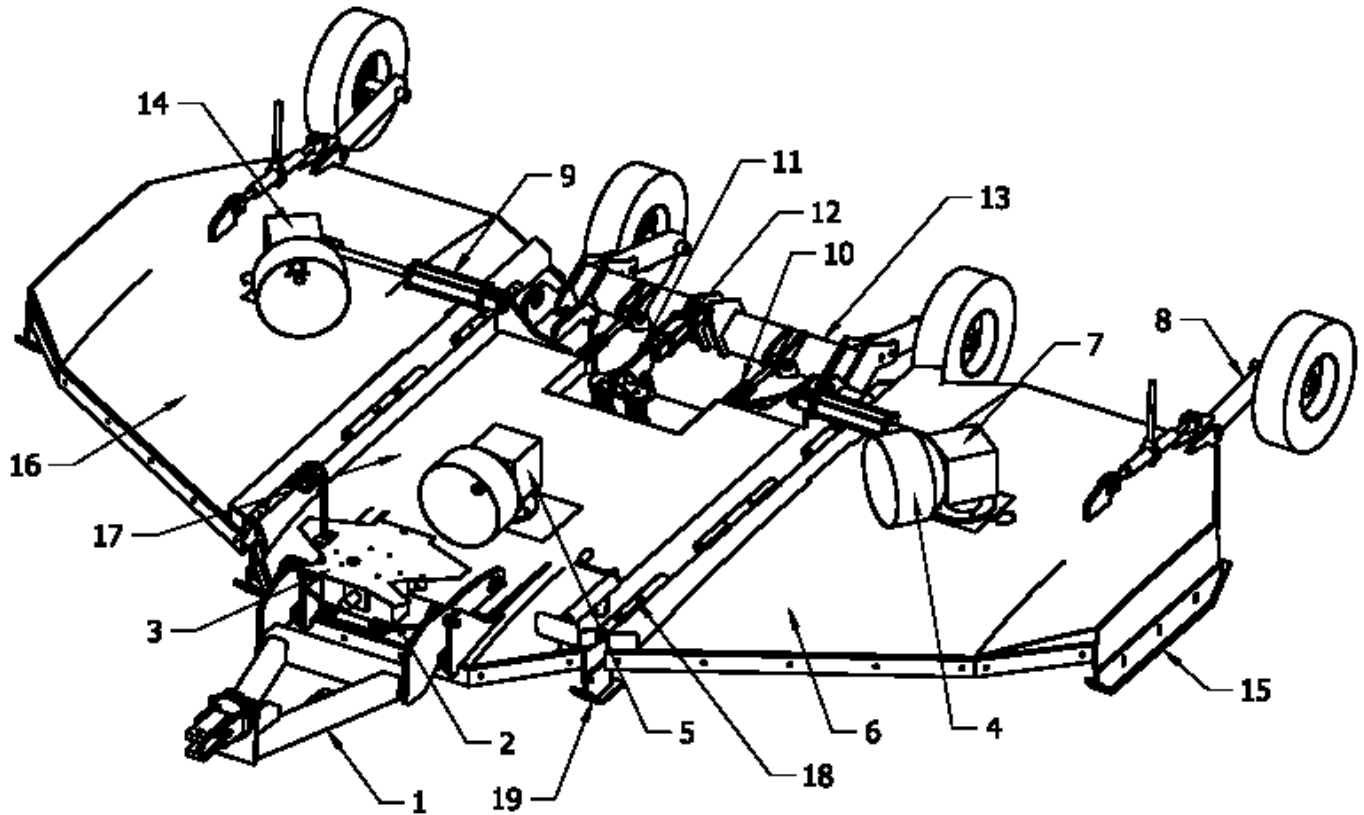
Part No.—Refers to the part number of the part. This is what you use when ordering new parts, as well as description and quantity.

Description—Gives the description of the part

Qty—Quantity listed for each component on the illustration, not the total quantity of that part used on the entire machine.

Remarks—any comments (refers to detail pages of parts, etc.)

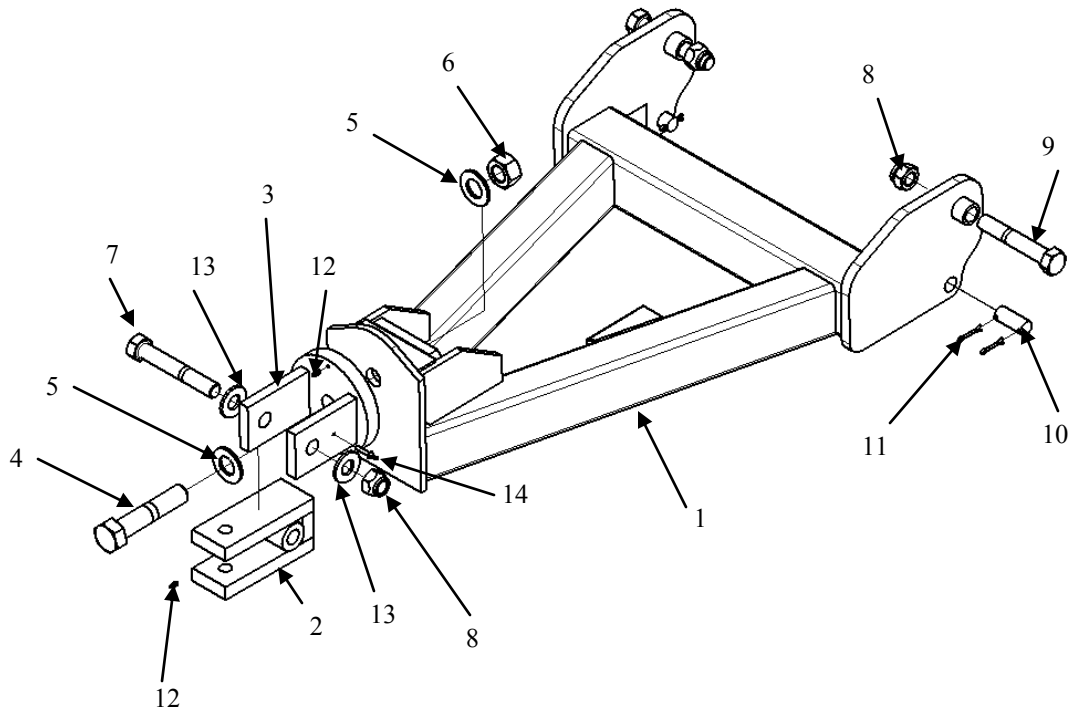
MD-180 Assembly Breakdown



MD-180 Assembly Breakdown

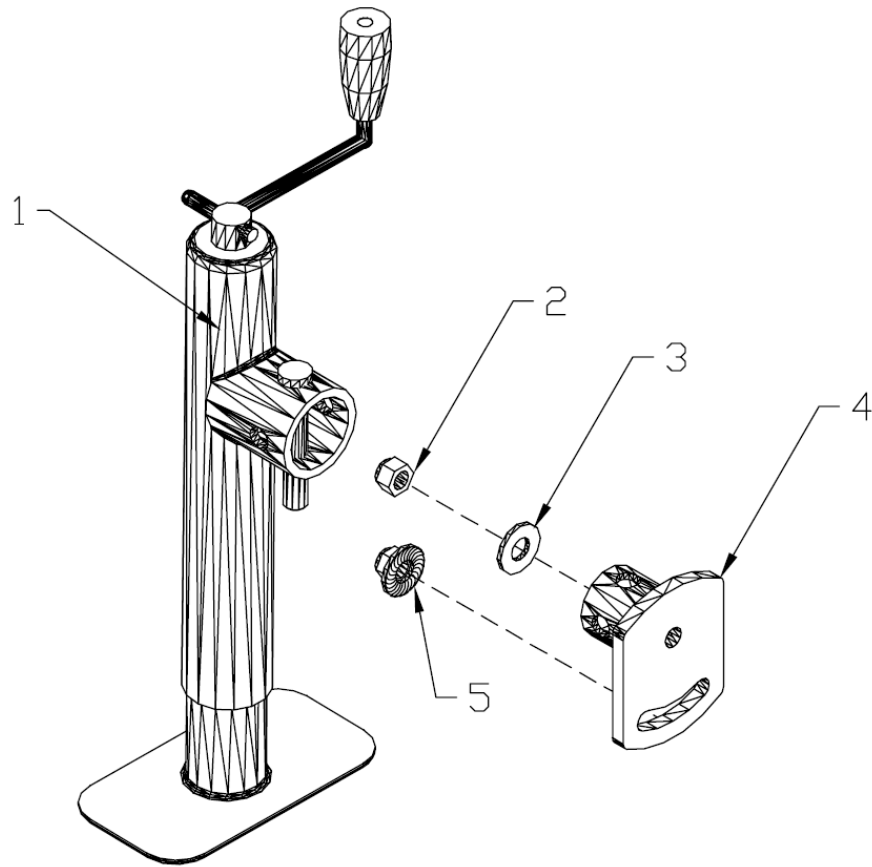
Ref. No.	Description	Page Number
1	Tongue Assembly	6
2	Divider Box	14-15
3	Divider Box Shield Assembly	34
4	Gearbox Shield Assembly	33
5	Center Gearbox	18-19
6	Left Wing Deck Assembly (Part #5573)	N/A
7	Left Wing Gearbox	18-19
8	Wing Axle Arm Assembly	26
9	Wing Lift Cylinder	27
10	Level Rod Assembly	38
11	Pivot Suspension linkage	25
12	Center Lift Cylinder	24
13	Center Pivot Assembly	22
14	Right Wing Gearbox	16-17
15	Wing Skid Shoe	30
16	Right Wing Assembly (Part #5574)	N/A
17	Center Deck Assembly (Part #5575)	N/A
18	Hinge Pins (Part #5104)	N/A
19	Center Skid Shoe	29
Not Shown	Wing Drive Shaft	12-13
Not Shown	Hydraulic Hose Plan	31, 44
Not Shown	Hydraulic Valve	32
Not Shown	Travel Pin Assembly	28
Not Shown	Intermediate Drive Shaft	8-9
Not Shown	Main Drive Shaft	10-11
Not Shown	Center Rotor Bar Assembly	20
Not Shown	Wing Rotor Bar Assembly	21
Not Shown	All Chain Guard Components and Assemblies	35-37
Not Shown	Blade Bolt Access Cover (Part #2965-17)	N/A
Not Shown	Hinge Roll Pin (Part #2556)	N/A

Tongue with Swivel Clevis



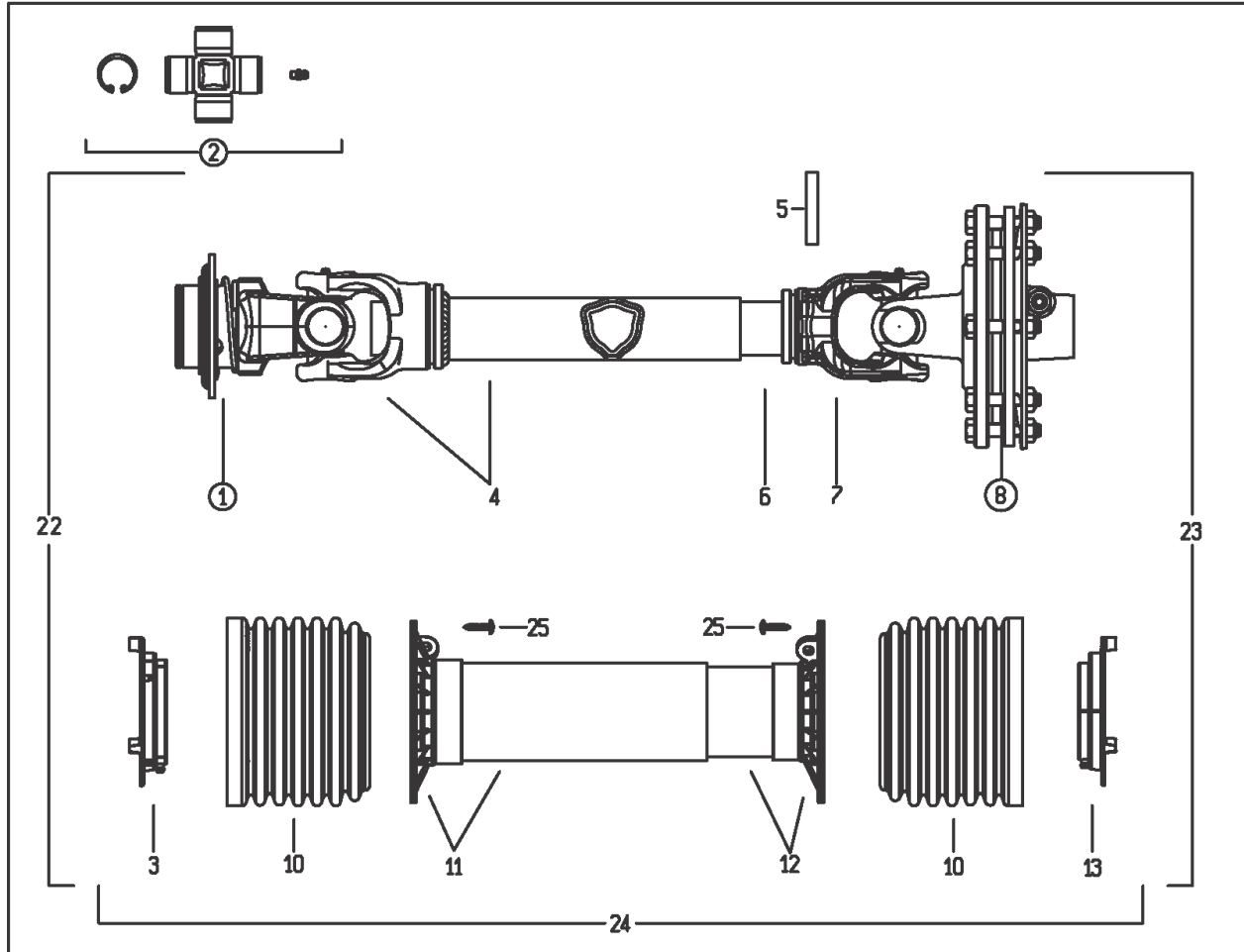
Ref. No.	Part No.	Description	Qty
1	5596	Swivel Tongue Only	1
2	2312	Clevis	1
3	3604	Swivel	1
4	5165	Bolt	1
5	3449	Washer	2
6	2532	Nut	1
7	2624	Bolt	1
8	2638	Nut	3
9	5166	Bolt	2
10	2315	Level Rod Pin	2
11	2313	Cotter Pin	4
12	5033	Zerk	2
13	2106	Washer	2
14	5639	Set Screw	1

Tongue Jack Mounting Assembly

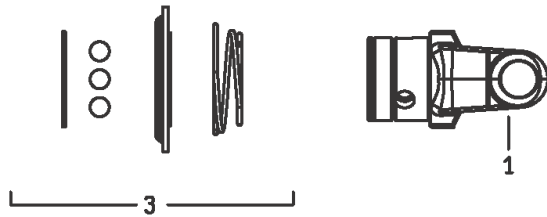


Ref. No.	Part No.	Description	Qty
1	2969	Jack	1
2	2336	Nut	1
3	2337	Washer	1
4	4089	Plate	1
5	4885	Nut	1

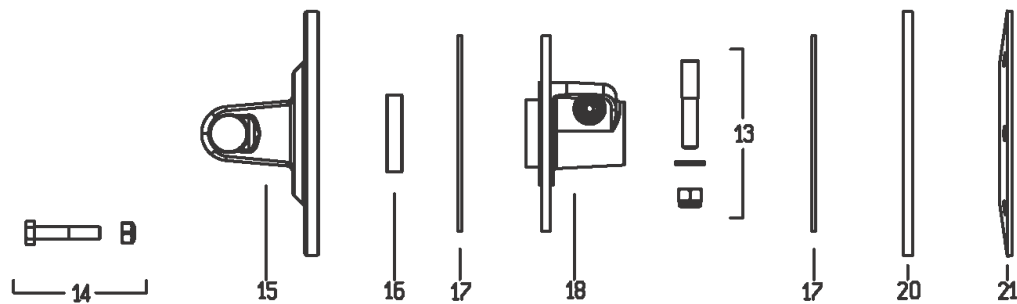
5616 INTERMEDIATE DRIVE SHAFT



①



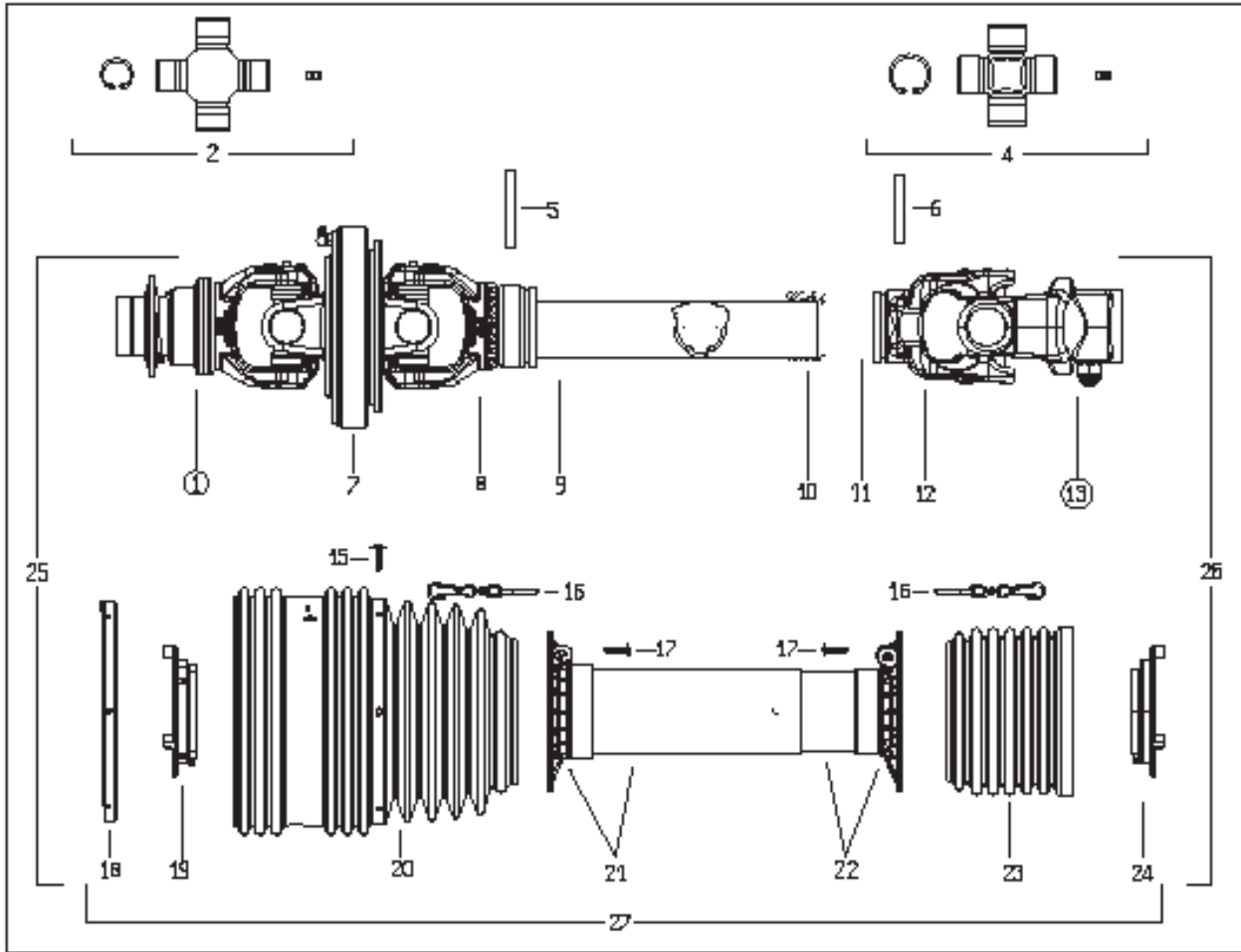
⑧



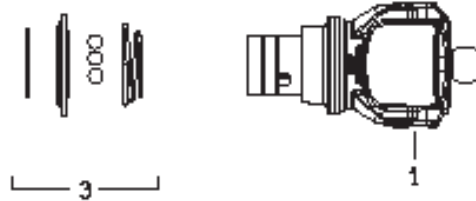
5616 INTERMEDIATE DRIVE SHAFT Parts List

Ref. No.	Part No.	Description	Qty
1	4901	YOKE	1
2	3941	CROSS KIT SER 6	2
3	5755	BALL COLLAR KIT	1
4	5746	OUTER SHAFT & YOKE ASSEMBLY	1
5	5747	ROLL PIN	1
6	5745	INNER SHAFT STEEL	1
7	5748	YOKE FOR INNER SHAFT STEEL	1
8	5749	CLUTCH—COMPLETE ASSEMBLY	1
9	5751	OUTER SHIELD RING	1
10	5750	SHIELD BELL	2
11	5752	UOTER SHIELD	1
12	5753	INNER SHIELD	1
13	5754	INNER SHIELD RING	1
14	5757	BOLT & NUT	8
15	5758	FLANGE YOKE	1
16	5058	BUSHING	1
17	5059	LINING	2
18	4049	HUB	1
19	5756	TAPER PIN, WASHER, NUT	1
20	5064	DISC	1
21	5759	SPRING	1
22	5788	COMPLETE OUTER SHAFT	1
23	5789	COMPLETE INNER SHAFT	1
24	5790	COMPLETE SHIELD ASSEMBLY	1

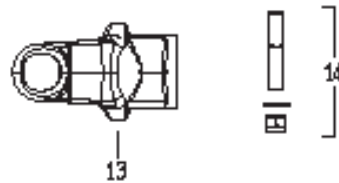
5617 MAIN DRIVE SHAFT



①



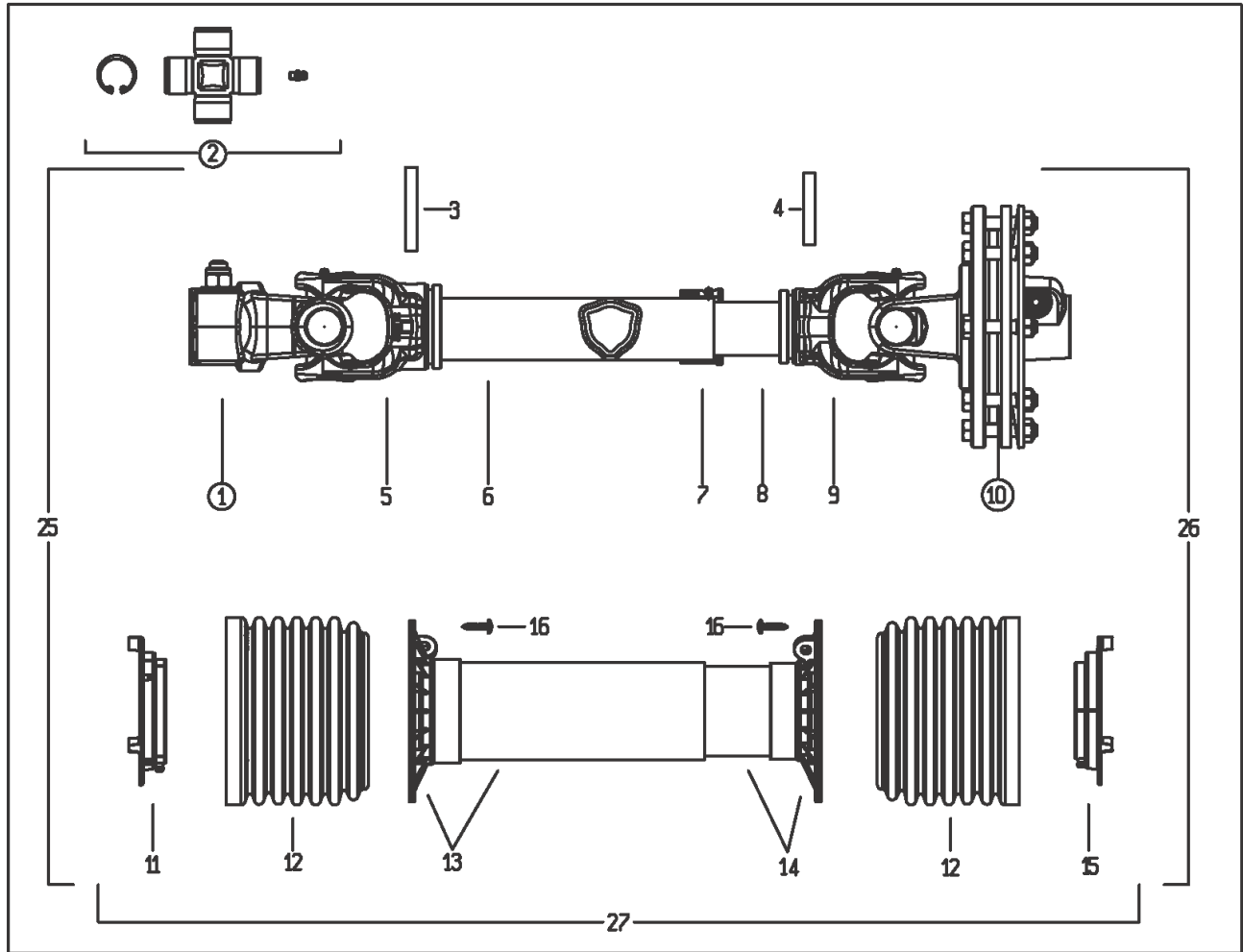
⑬



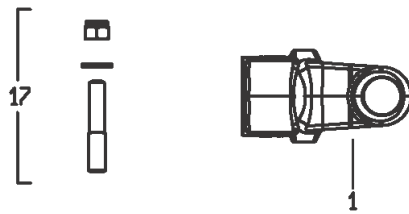
5617 MAIN DRIVE SHAFT Parts List

Ref. No.	Part No.	Description	Qty
1	4917	SLIDE COLLAR CV YOKE	1
2	4918	CV CROSS KIT SER 8	1
3	5070	BALL COLLAR KIT GO-RT	1
4	4926	CROSS KIT SER 8	1
5	3919	OUTER ROLL PIN	1
6	5095	FLEX ROLL PIN	1
7	4919	CV BODY	1
8	5760	OUTER SHAFT YOKE	1
9	5761	OUTER SHAFT STEEL	1
10	5770	GREASING COLLAR	1
11	5762	INNER SHAFT STEEL	1
12	5763	INNER SHAFT YOKE	1
13	4495	INNER SHIELD TUBE	1
14	4950	TAPER PIN KIT	1
15	5769	SCREW	6
16	5771	“S” HOOK & CLIP	2
17	5050	SHIELD SCREW	6
18	4927	SHIELD SUPPORT	2
19	5765	SHIELD FLANGE	1
20	5764	OUTER SHIELD BELL	1
21	5766	OUTER SHIELD TUBE	1
22	5767	INNER SHIELD TUBE	1
23	5750	SHIELD BELL	1
24	5768	INNER SHIELD RING	1
25	5772	COMPLETE OUTER SHAFT	1
26	5773	COMPLETE INNER SHAFT	1
27	5774	COMPLETE SHIELD KIT	1

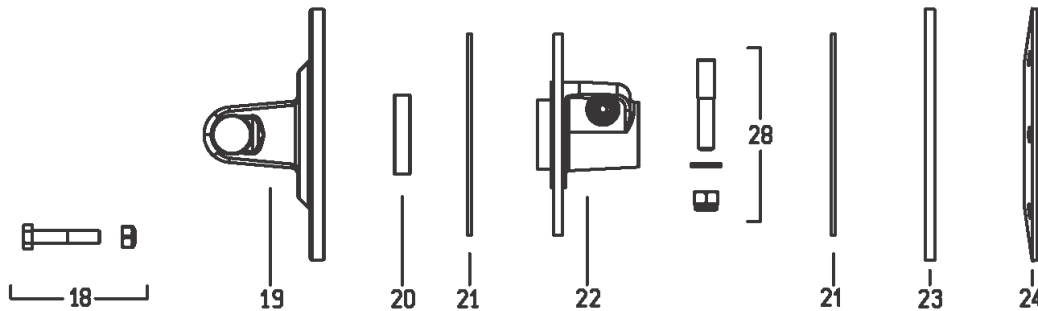
5618 Complete Wing Drive Shaft



①



⑩

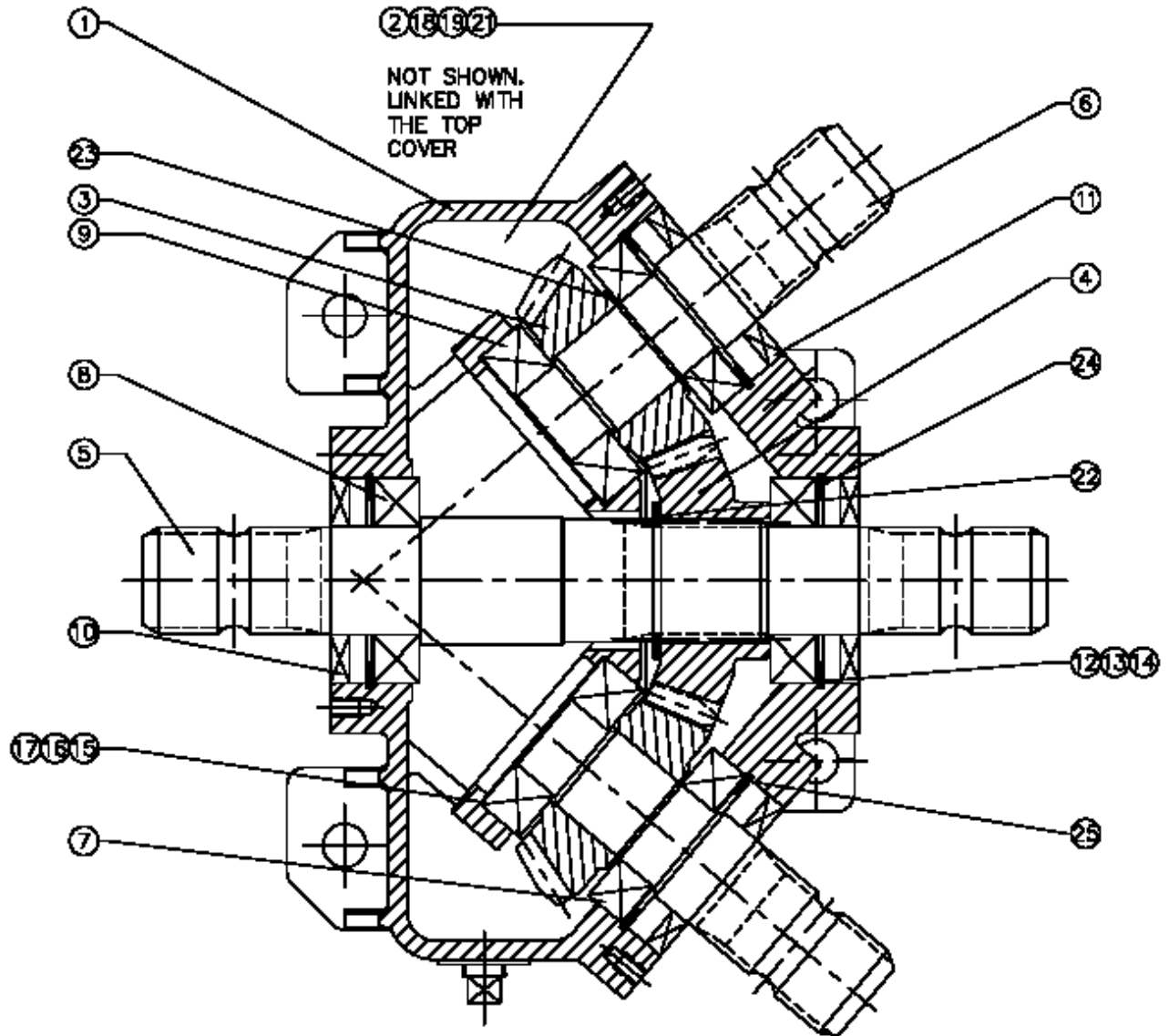


12

5618 Complete Wing Drive Shaft Parts List

Ref. No.	Part No.	Description	Qty
1	5775	YOKE	1
2	3941	CROSS KIT	2
3	4924	FLEX ROLL PIN	1
4	5747	FLEX ROLL PIN	1
5	5776	YOKE—OUTER TUBE	1
6	5777	OUTER SHAFT STEEL	1
7	5783	GREASING COLLAR	1
8	5778	INNER SHAFT STEEL	1
9	5748	YOKE FOR INNER SHAFT	1
10	5780	CLUTCH ASSEMBLY	1
11	5751	OUTER SHIELD RING	1
12	5750	SHIELD BELL	2
13	5781	OUTER SHIELD TUBE	1
14	5782	INNER SHIELD TUBE	1
15	5754	INNER SHIELD RING	1
16	5050	SCREW	6
17	4950	TAPER PIN KIT	2
18	5075	BOLT & NUT	8
19	5758	FLANGE YOKE	1
20	5058	BUSHING	1
21	5784	LINING DISK	2
22	4049	HUB	1
23	5064	DISK	1
24	5759	SPRING WASHER	1
25	5785	COMPLETE INNER SHAFT	1
26	5786	COMPLETE OUTER SHAT	1
27	5787	COMPLETE SHIELD KIT	1
28	5054	PIN, NUT & WASHER	1

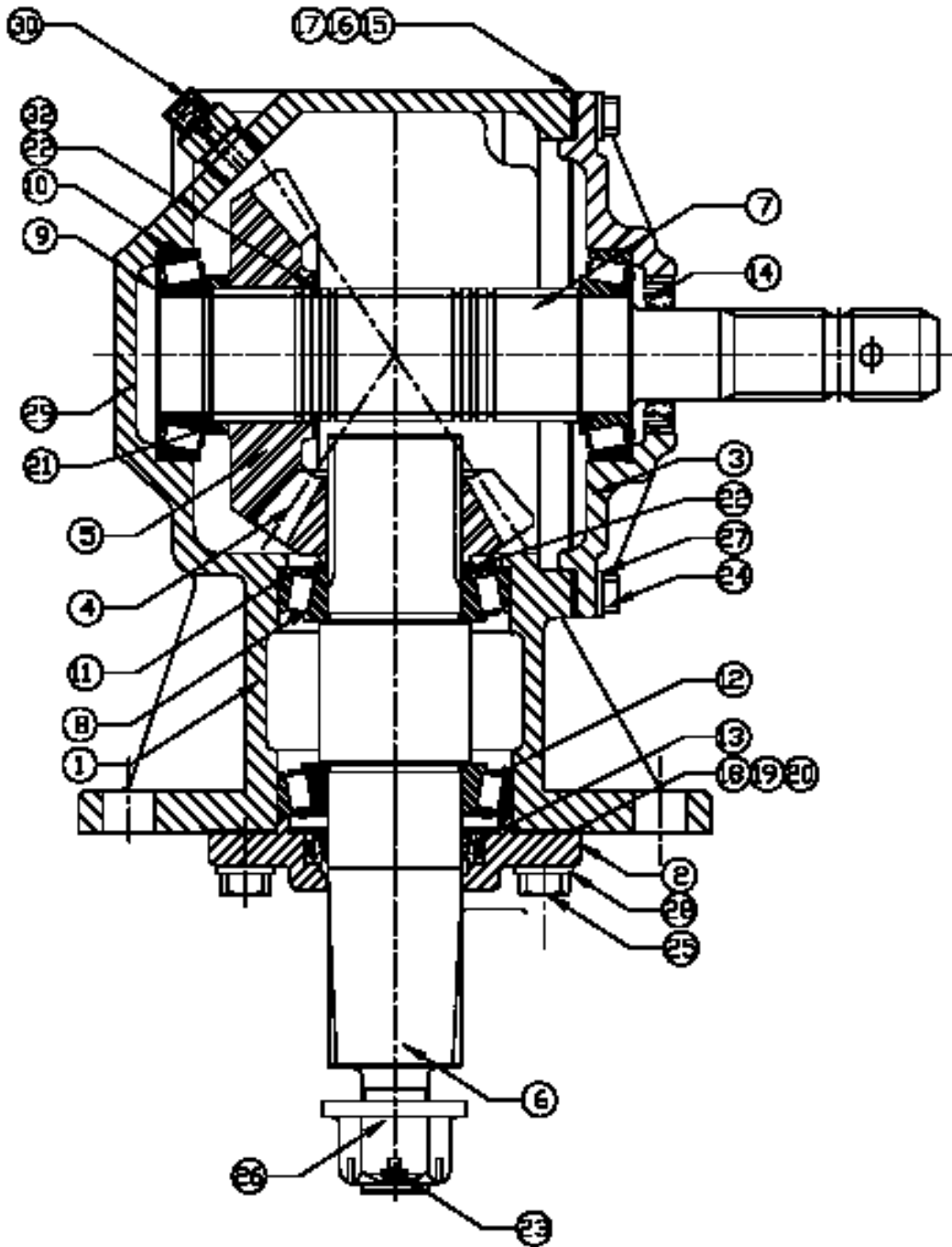
5554 Divider Gear Box
 (See Maintenance Section for Required Lubricant)



5554 Divider Gear Box
(See Maintenance Section for Required Lubricant)
Parts List

Ref. No.	Part No.	Description	Qty
1	5705	HOUSING	1
2	5704	COVER	3
3	5703	PINION, 20 T	2
4	5702	GEAR, 23 T	1
5	5701	SHAFT, INPUT	1
6	5700	SHAFT, OUTPUT	2
7	2537	BALL BEARING	2
8	2545	BALL BEARING	2
9	2539	BALL BEARING	2
10	5699	SEAL, INPUT	2
11	5221	SEAL, OUTPUT	2
12	5699	SHIM, INPUT 0.1mm	2 AR
13	5697	SHIM, INPUT 0.2 mm	2 AR
14	5696	SHIM, INPUT 0.5 mm	2 AR
15	5695	SHIM, OUTPUT 0.1 mm	4 AR
16	5694	SHIM, OUTPUT 0.2 mm	4 AR
17	5693	SHIM, OUTPUT 0.5 mm	4 AR
18	5692	SCREW	6
19	5243	LOCK WASHER	6
20	5246	PLUG, SOCKET HD	2
21	1623	PLUG, PRESSURE RELIEF	1
22	2719	RETAINING RING	1
23	5691	RETAINING RING	2
24	5243	RETAINING RING	2
25	5690	RETAINING RING	2

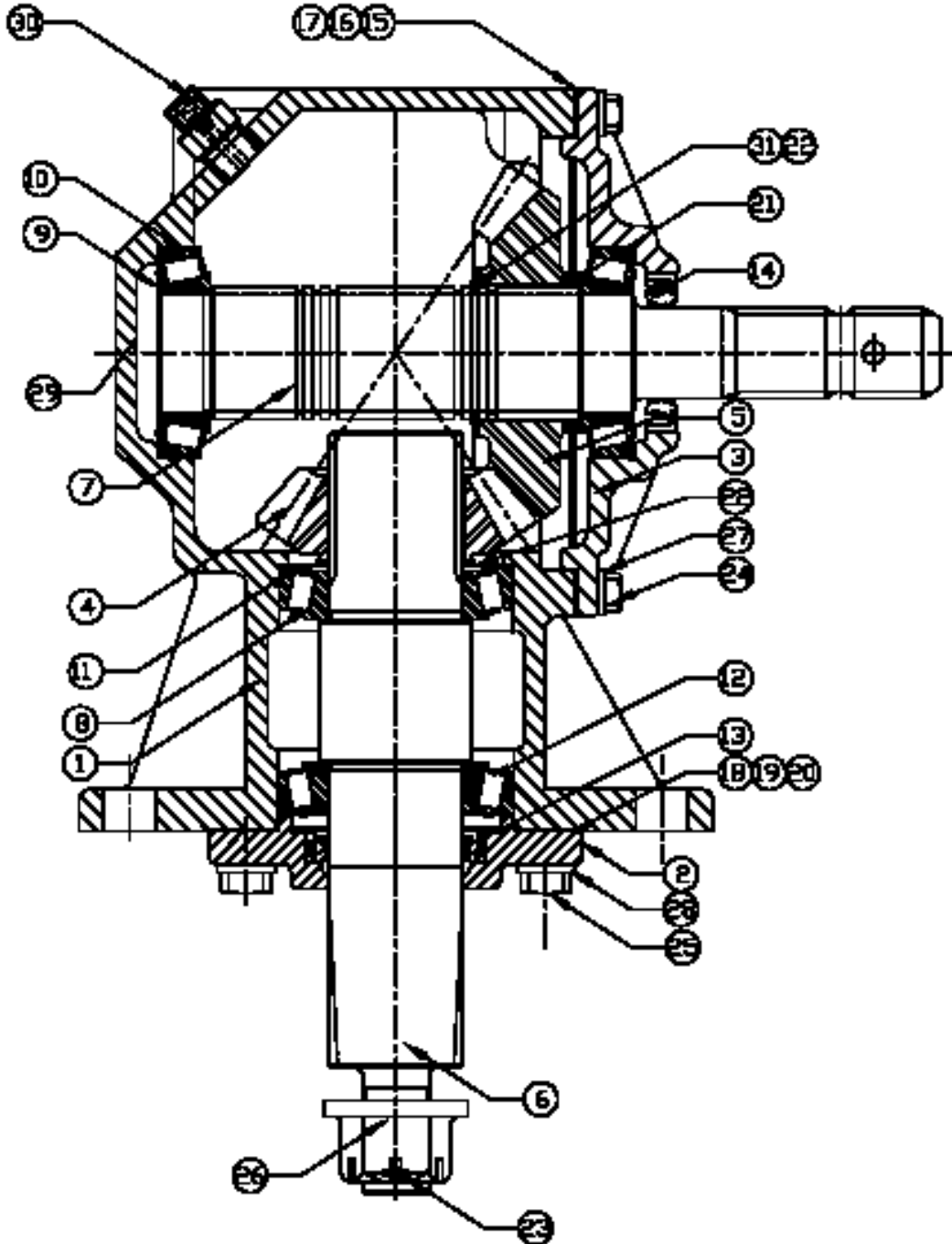
5553 Gear Box Right Wing
(See Maintenance Section for Required Lubrication)



5553 Gear Box Right Wing
(See Maintenance Section for Required Lubrication)

Ref. No.	Part No.	Description	Qty.
1	5710	HOUSING	1
2	2732	CAP—OUTPUT	1
3	2726	CAP—INPUT	1
4	2014	PINION—13 T, OUTPUT	1
5	2019	GEAR—19 T, IN PUT	1
6	2011	SHAFT—OUTPUT	1
7	5709	SHAFT—INPUT, 1-3/8" - 6	1
8	2711	BEARING CONE	2
9	1402	BEARING CONE	2
10	2717	BEARING CUP	2
11	2712	BEARING CUP	1
12	2729	BEARING CUP	1
13	5708	SEAL	1
14	2751	SEAL	1
15	2721	GASKET INPUT CAP—0.30	VAR
16	2722	GASKET INPUT CAP—0.15	VAR
17	5707	GASKET INPUT CAP—0.10	VAR
18	2731	GASKET OUTPUT CAP—0.30	VAR
19	1410B	GASKET OUTPUT CAP—0.15	VAR
20	2730	GASKET OUTPUT CAP—0.10	VAR
21	2029	SPACER	1
22	3231	SHIM 0.25	VAR
23	5706	COTTER PIN	1
24	4963	HEX HD. SCREW	8
25	4256	HEX HD. SCREW	4
26	1420	HEX SLOTTED NUT	1
27	5446	LOCK WASHER	8
28	2733	LOCK WASHER	4
29	2742	PIPE PLUG—SQ. HD.	1
30	1623	PLUG—PRESSURE RELIEF	1
31	2719	RETAINIG RING	1

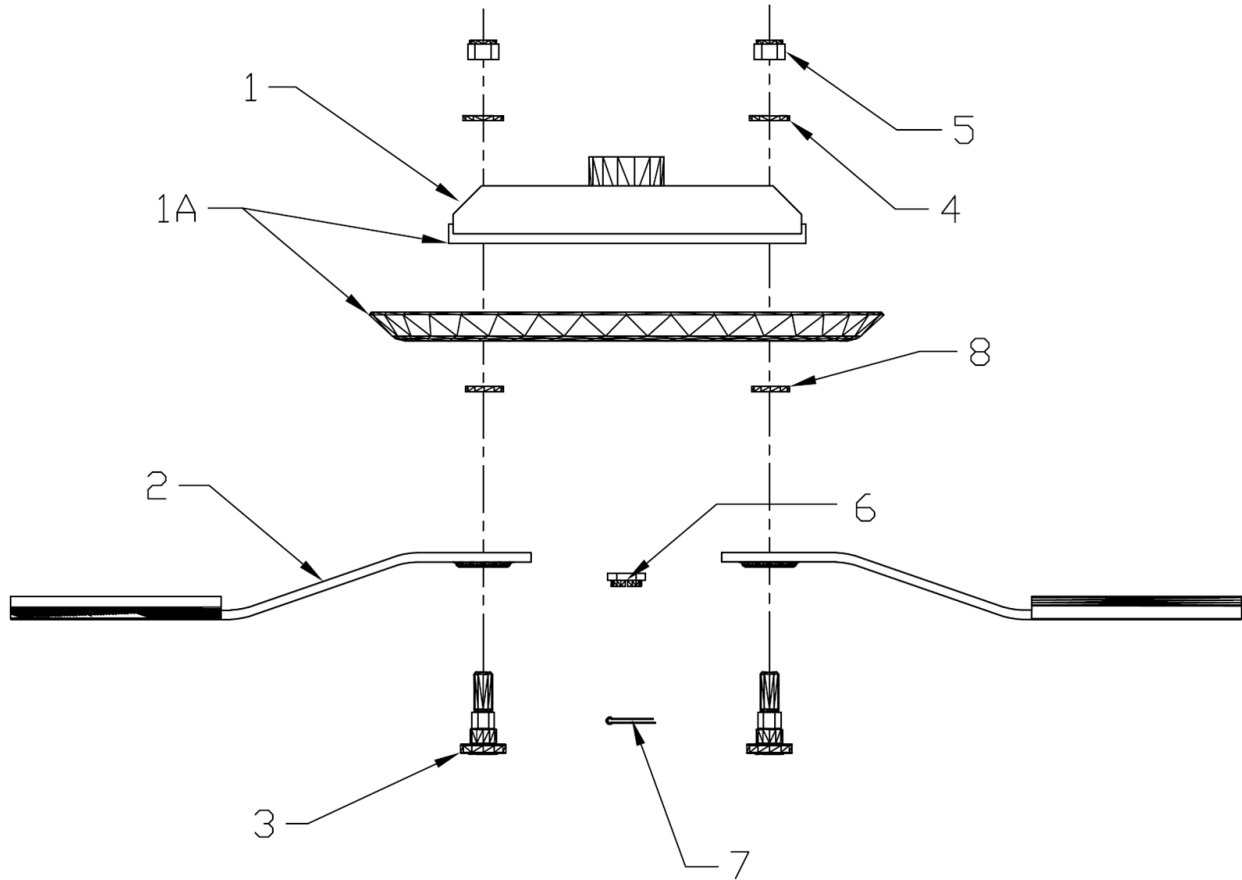
5552 Gear Box - Left Wing and Center
(See Maintenance Section for Required Lubrication)



5552 Gear Box - Left Wing and Center
(See Maintenance Section for Required Lubrication)
Parts List

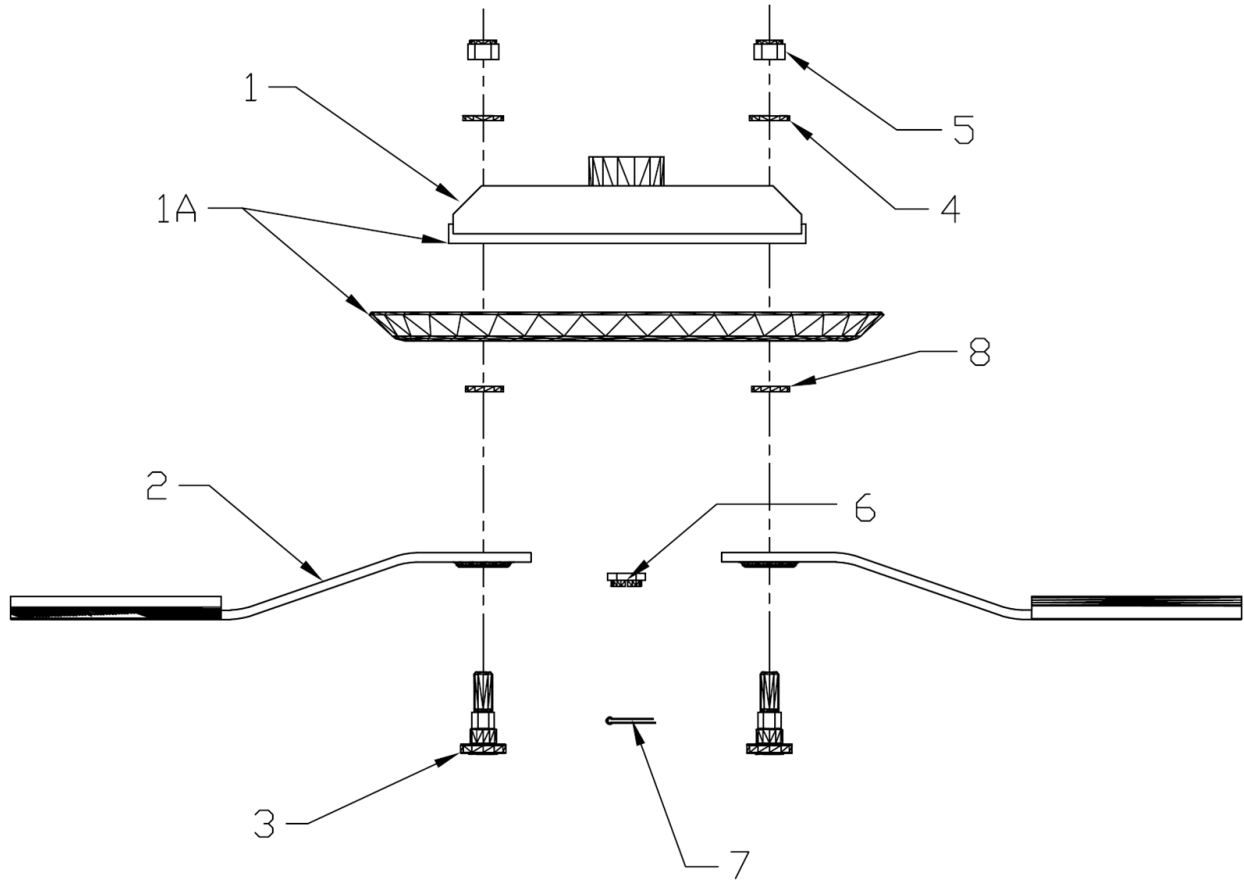
Ref. No.	Part No.	Description	Qty.
1	5710	HOUSING	1
2	2732	CAP—OUTPUT	1
3	2726	CAP—INPUT	1
4	2014	PINION—13 T, OUTPUT	1
5	2019	GEAR—19 T, IN PUT	1
6	2011	SHAFT—OUTPUT	1
7	5709	SHAFT—INPUT, 1-3/8" - 6	1
8	2711	BEARING CONE	2
9	1402	BEARING CONE	2
10	2717	BEARING CUP	2
11	2712	BEARING CUP	1
12	2729	BEARING CUP	1
13	5708	SEAL	1
14	2751	SEAL	1
15	2721	GASKET INPUT CAP—0.30	VAR
16	2722	GASKET INPUT CAP -0.15	VAR
17	5707	GASKET INPUT CAP -0.10	VAR
18	2731	GASKET OUTPUT CAP—0.30	VAR
19	1410B	GASKET OUTPUT CAP—0.15	VAR
20	2730	GASKET OUTPUT CAP—0.10	VAR
21	2029	SPACER	1
22	3231	SHIM 0.25	VAR
23	5706	COTTER PIN	1
24	4963	HEX HD. SCREW	8
25	4256	HEX HD. SCREW	4
26	1420	HEX SLOTTED NUT	1
27	5446	LOCK WASHER	8
28	2733	LOCK WASHER	4
29	2742	PIPE PLUG—SQ. HD.	1
30	1623	PLUG—PRESSURE RELIEF	1
31	2719	RETAINIG RING	1

Center Rotor Bar Assembly



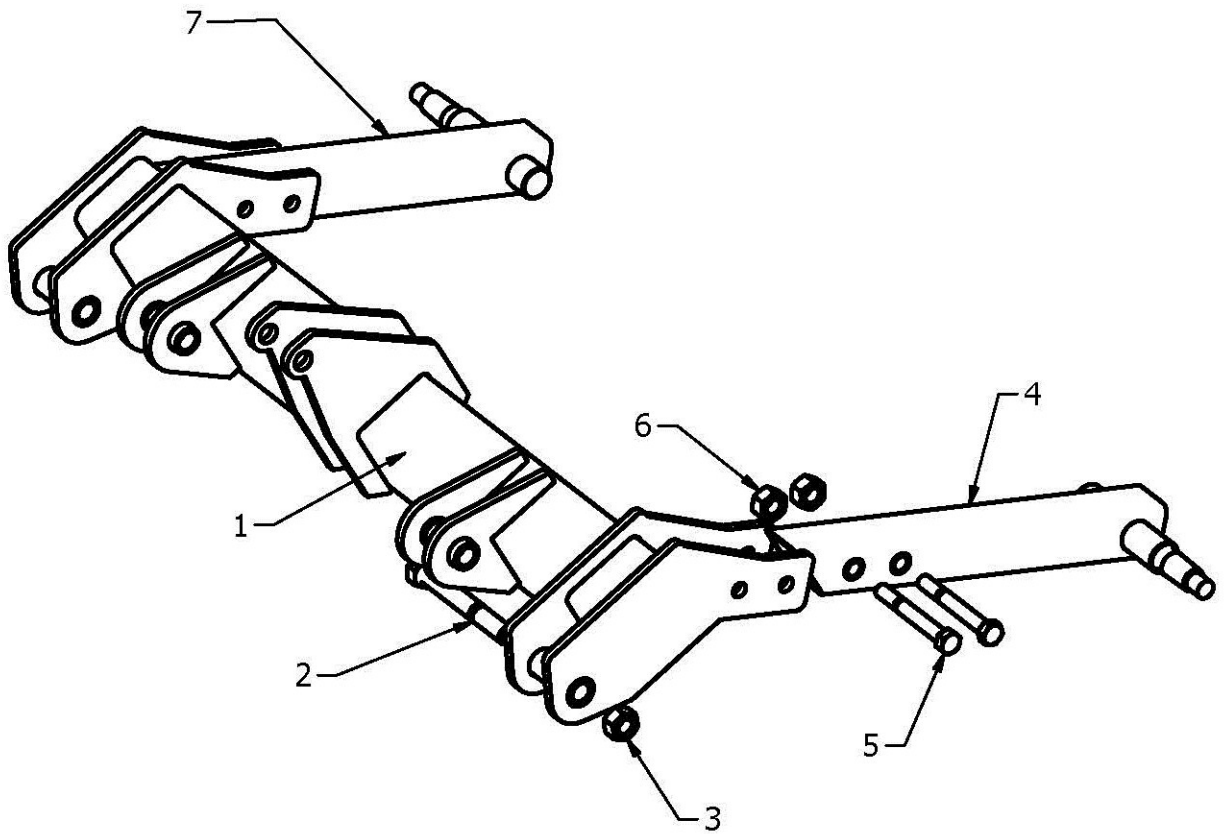
Ref. No.	Part No.	Description	Qty	Remarks
1	5791	Center Blade Bar	1	
1A	5577	Center Blade Bar with Stump Jumper	REF	
2	3093	Updraft Blade, CCW	2	
3	3095	Bolt	2	
4	2106	Washer	2	
5	2105	Nut	2	
6	5242	Output Shaft Nut	1	
7	5237	Cotter Pin	1	
8	3096	Washer	2	Only needed when using Stump Jumper

Wing Rotor Bar Assembly



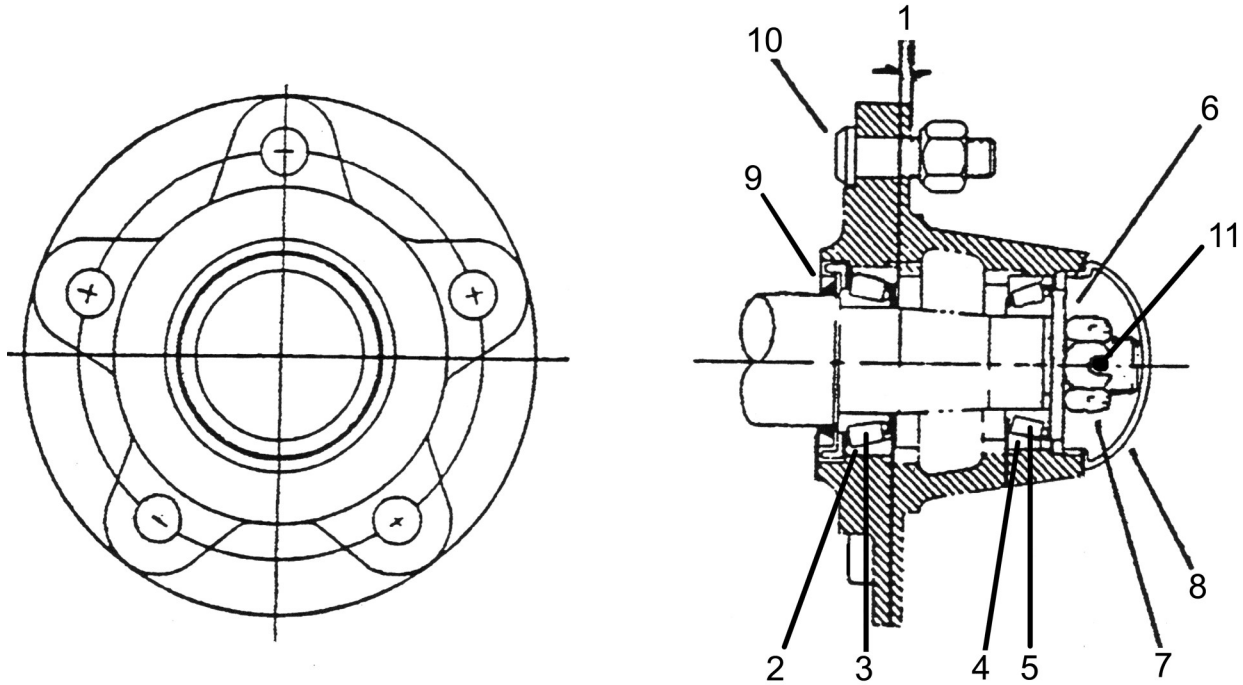
Ref. No.	Part No.	Description	Qty	Remarks
1	5791	Wing Blade Bar	1	
1A	5577	Wing Blade Bar with Stump Jumper	REF	
	3093	Updraft Blade, CCW	2	Right Wing
Not Shown	3094	Updraft Blade, CW	2	Left Wing
3	3095	Bolt	2	
4	2106	Washer	2	
5	2105	Nut	2	
6	5242	Output Shaft Nut	1	
7	5237	Cotter Pin	1	
8	3096	Washer	2	Only needed when using Stump Jumper

Center Pivot Assembly



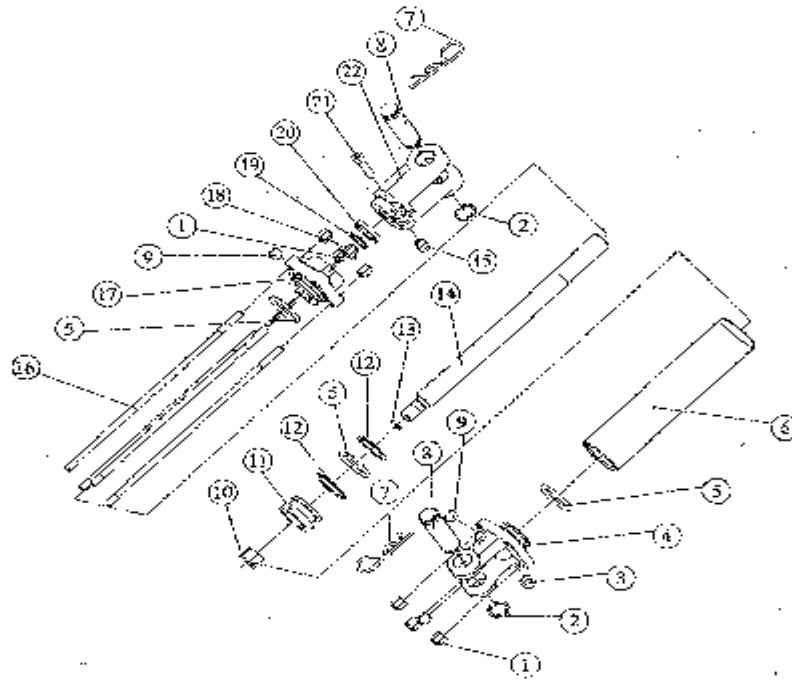
Ref. No.	Part No.	Description	Qty	Remarks
1	5576	Center Pivot	1	
2	2626	Bolt	2	
3	2638	Nut	2	
4	5792	Axle Arm LH	1	
5	5794	Bolt	4	
6	5795	Nut	4	
7	5812	Axle Arm RH	1	
Not Shown	5793	Axle Arm (Dual)	2	

2448 Hub Assembly



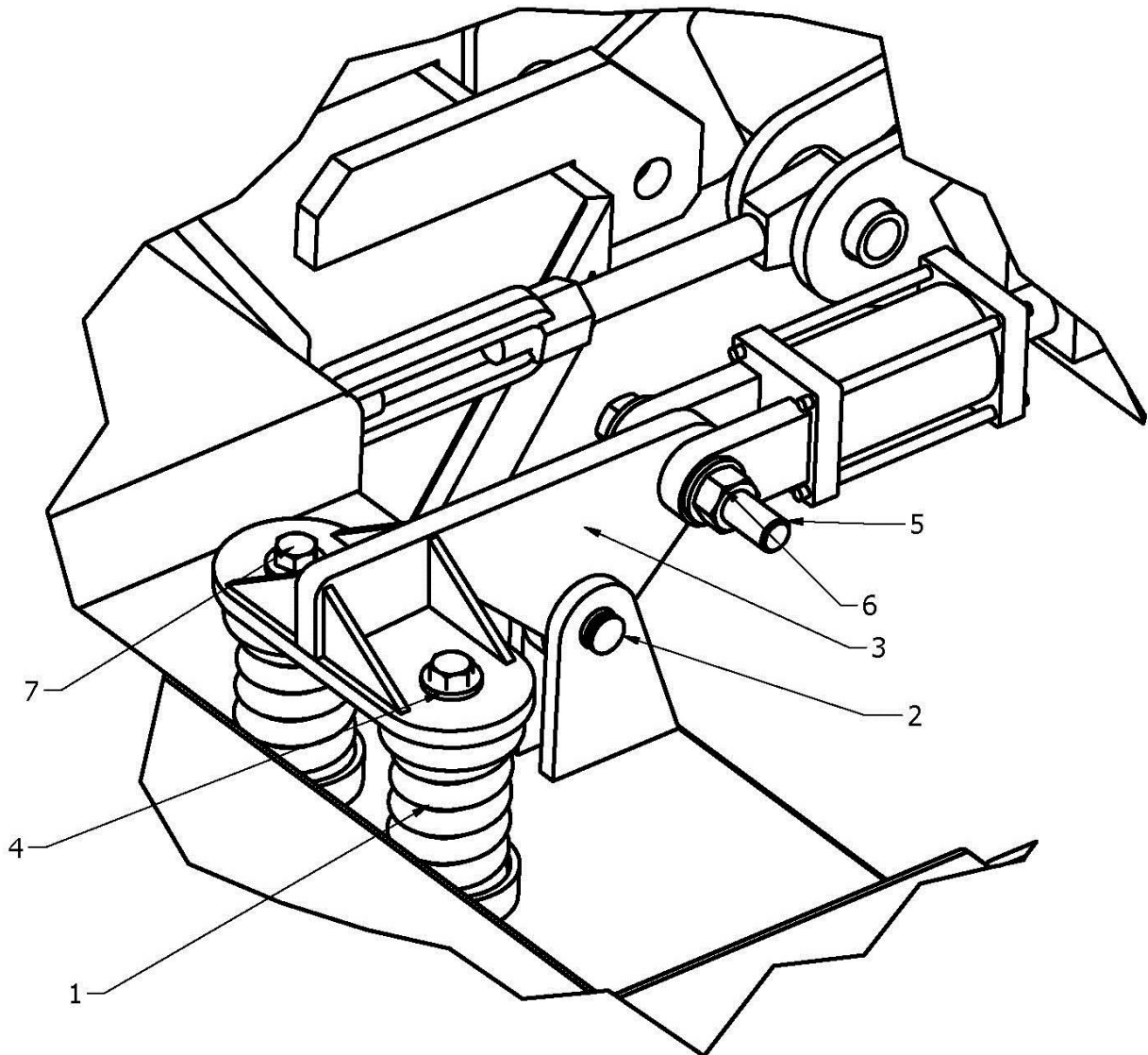
Ref. No.	Part No.	Description	Qty	Remarks
	2448	Complete Hub Assembly	REF	Includes Items 2-5,9,10
1	2449	Hub with Cups and Studs only	1	
2	2450	Inner Race	1	
3	2451	Inner Bearing	1	
4	2452	Outer Race	1	
5	2453	Outer Bearing	1	
6	3359	Spindle Washer	1	
7	3372	Spindle Nut	1	
8	2456	Dust Cap	1	
9	2457	Seal	1	
10	2458	Stud Bolt with Nut	5	
11	3360	Cotter Pin	1	
12	3917	Grease fitting	1	

5556 Pivot Cylinder



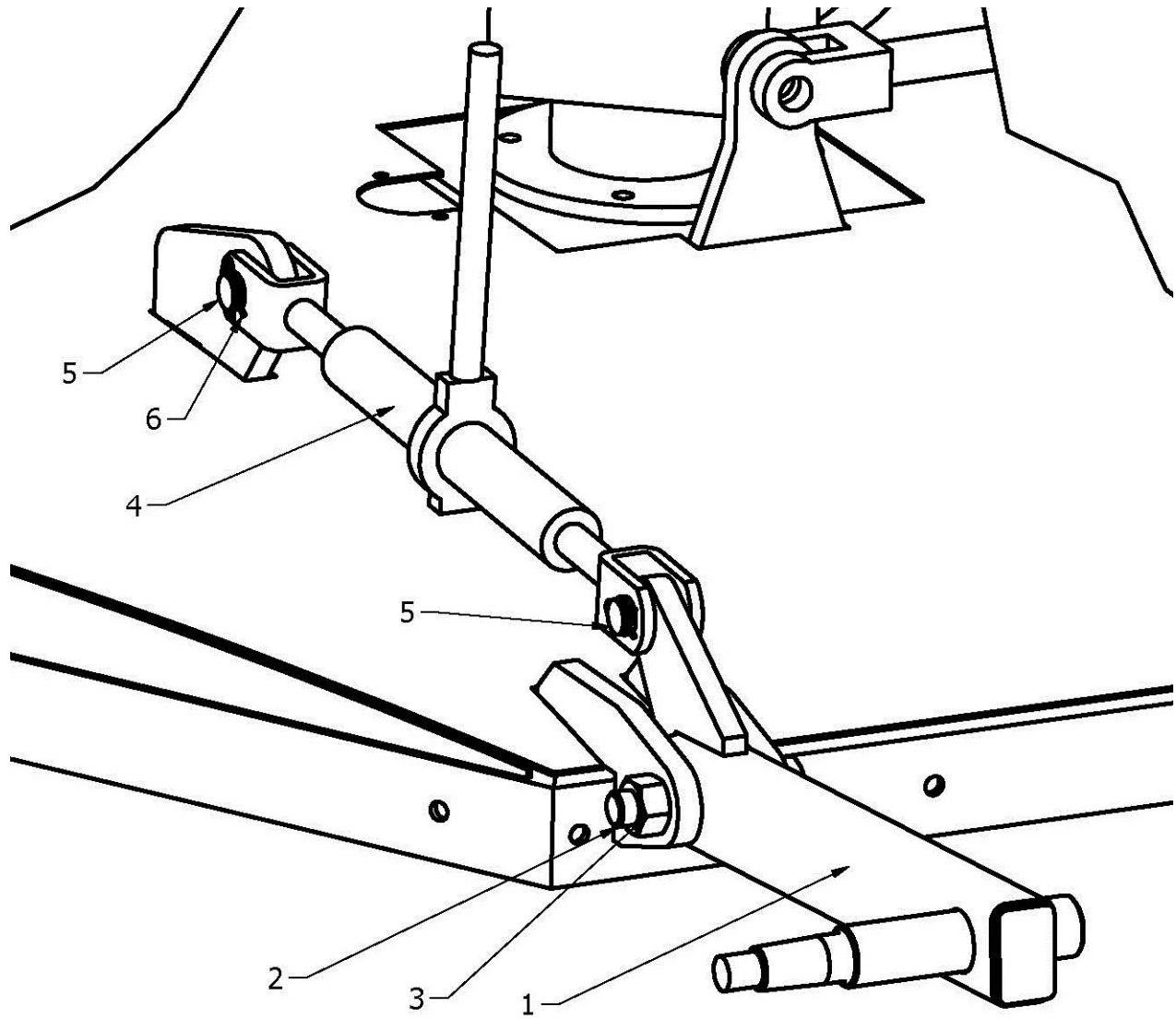
Ref. No.	Part No.	Description	Qty
1	5726	TIE ROD NUT	8
2	***	“C” RING	*** 2 (PART OF CLEVIS PIN 5721)
3	5727	STEEL PIPE PLUG	1
4	5719	BASE CLEVIS	1
5	5728	“O” RING	* 2 (PART OF SEAL REPAIR KIT 5720)
6	5729	CYLINDER TUBING	1
7	5718	“R” PIN	2
8	5721	CLEVIS PIN	2
9	-	PLASTIC PLUG	2 (FOR TRANSPORT ONLY)
10	5722	PISTON NUT	1
11	5723	PISTON	1
12	*	BACK-UP RING	* 2 (PART OF SEAL REPAIR KIT 5720)
13	*	“O” RING	* 1 (PART OF SEAL REPAIR KIT 5720)
14	5730	PISTON ROD	1
15	**	NUT	** 1 (PART OF ROD CLEVIS 5724)
16	5731	TIE ROD	4
17	5725	ROD CAP	1
18	*	“O” RING	* 1 (PART OF SEAL REPAIR KIT 5720)
19	*	BACK-UP RING	* 1 (PART OF SEAL REPAIR KIT 5720)
20	*	ROD VIPER SEAL	* 1 (PART OF SEAL REPAIR KIT 5720)
21	**	SET SCREW	** 1 (PART OF ROD CLEVIS 5724)
22	5724	ROD CLEVIS	** 1 (INCLUDES ITEMS 15, 21, 22)

Center Lift Cylinder Mounting Point



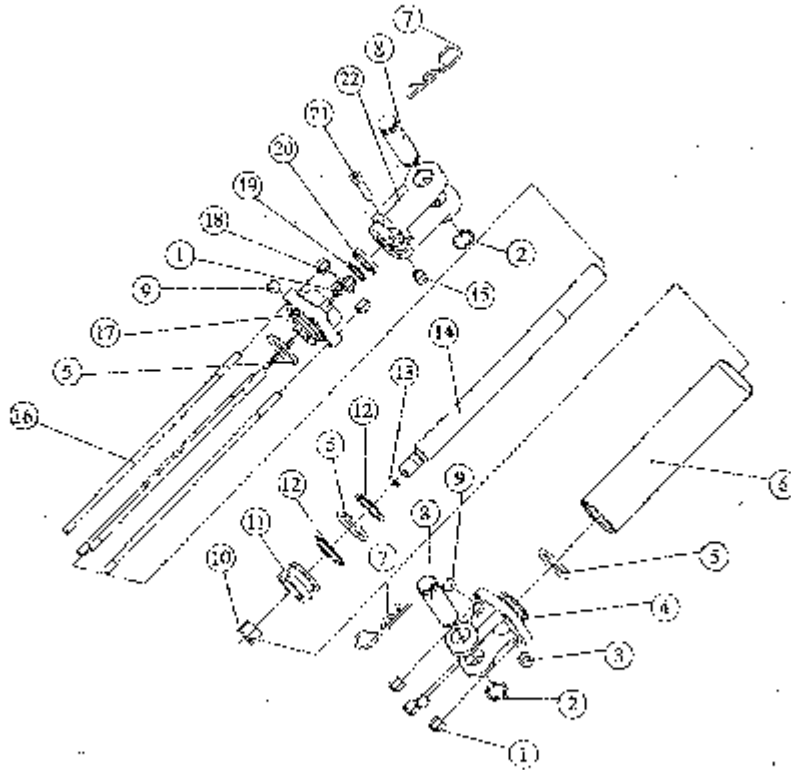
Ref. No.	Part No.	Description	Qty	Remarks
1	3454	Spring	2	
2	2330	Pin With Hair Pins	1	
3	5578	Rocker Assembly	1	For Laminated Tires only
4	4097	Washer	2	
5	5123	Bolt	1	
6	2638	Nut	1	
7	3661	Bolt	2	
Not Shown	3148	Nut	2	
Not Shown	5686	Rocker Assembly	1	26" Aircraft Tires only
Not Shown	5687	Rocker Assembly	1	28" Aircraft Tires Only

Wing Axle Arm Assembly



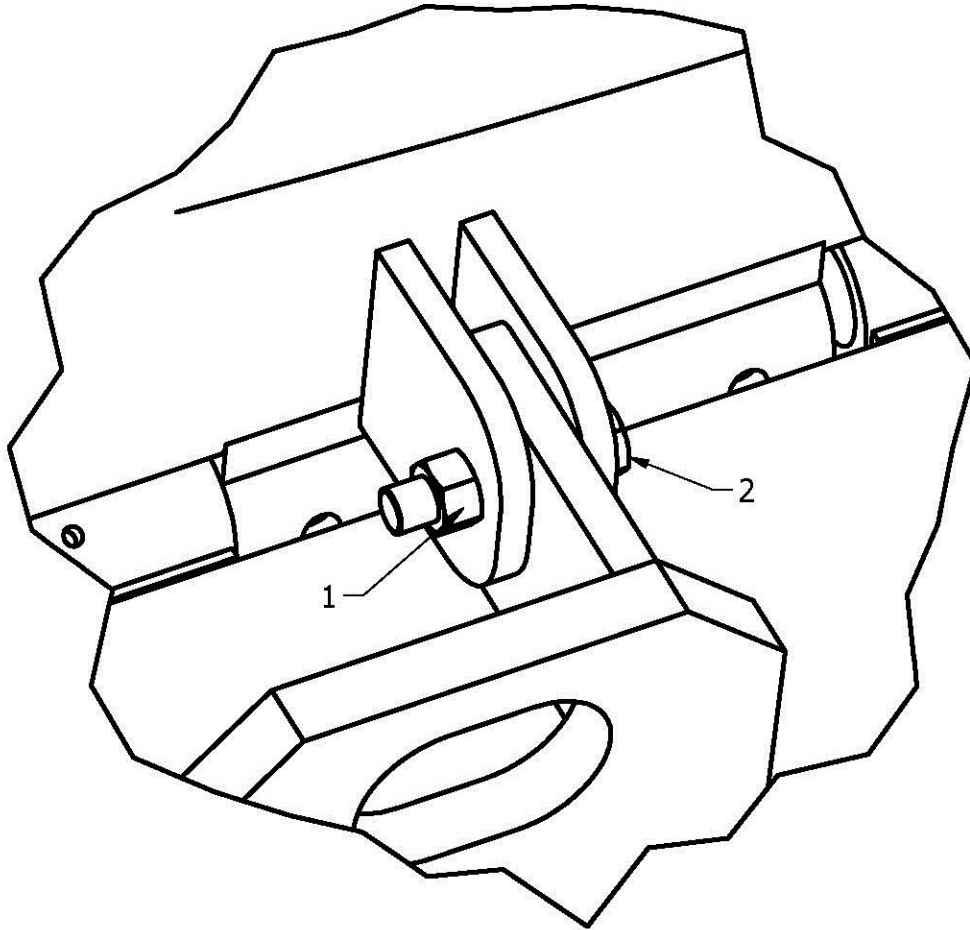
Ref. No.	Part No.	Description	Qty
1	5120	Left Wing Axle Arm	1
Not Shown	5121	Right Wing Axle Arm	1
2	5123	Bolt	1
3	2638	Nut	1
4	3269	Ratchet Jack	1
5	2354	Pin	2
6	3270	Clip Pin	4
REF	2300	Complete Left Wing Tail Wheel Assembly	1
REF	2309	Complete Right Wing Tail Wheel Assembly	1

5555 Wing Lift Cylinder



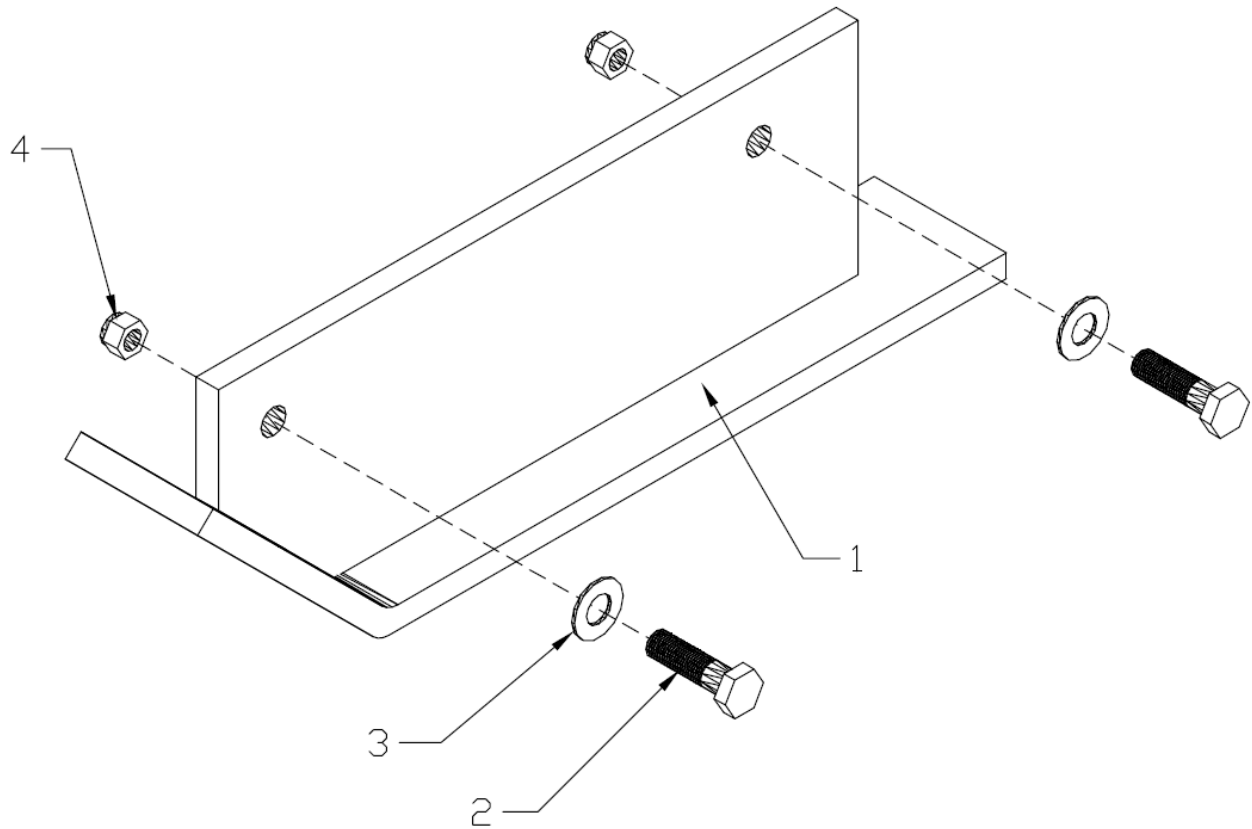
Ref. No.	Part No.	Description	Qty
1	5732	TIE ROD NUT	8
2	***	“C” RING	***2 (PART OF CLEVIS PIN 5714)
3	5733	STEEL PIPE PLUG	1
4	5711	BASE CLEVIS	1
5	5734	“O” RING	* 2 (PART OF SEAL REPAIR KIT 5712)
6	5637	CYLINDER TUBING	1
7	5718	“R” PIN	2
8	5714	CLEVIS PIN	2
9	-	PLASTIC PLUG	2 (FOR TRANSPORT ONLY)
10	5715	PISTON NUT	1
11	5716	PISTON	1
12	*	BACK-UP RING	* 2 (PART OF SEAL REPAIR KIT 5712)
13	*	“O” RING	* 1 (PART OF SEAL REPAIR KIT 5712)
14	5735	PISTON ROD	1
15	**	NUT	** 1 (PART OF ROD CLEVIS 5713)
16	5736	TIE ROD	4
17	5717	ROD CAP	1
18	*	“O” RING	* 1 (PART OF SEAL REPAIR KIT 5712)
19	*	BACK-UP RING	* 1 (PART OF SEAL REPAIR KIT 5712)
20	*	ROD VIPER SEAL	* 1 (PART OF SEAL REPAIR KIT 5712)
21	**	SET SCREW	** 1 (PART OF ROD CLEVIS 5713)
22	5713	ROD CLEVIS	** 1 (INCLUDES ITEMS 15, 21, 22)

Travel Pin Assembly



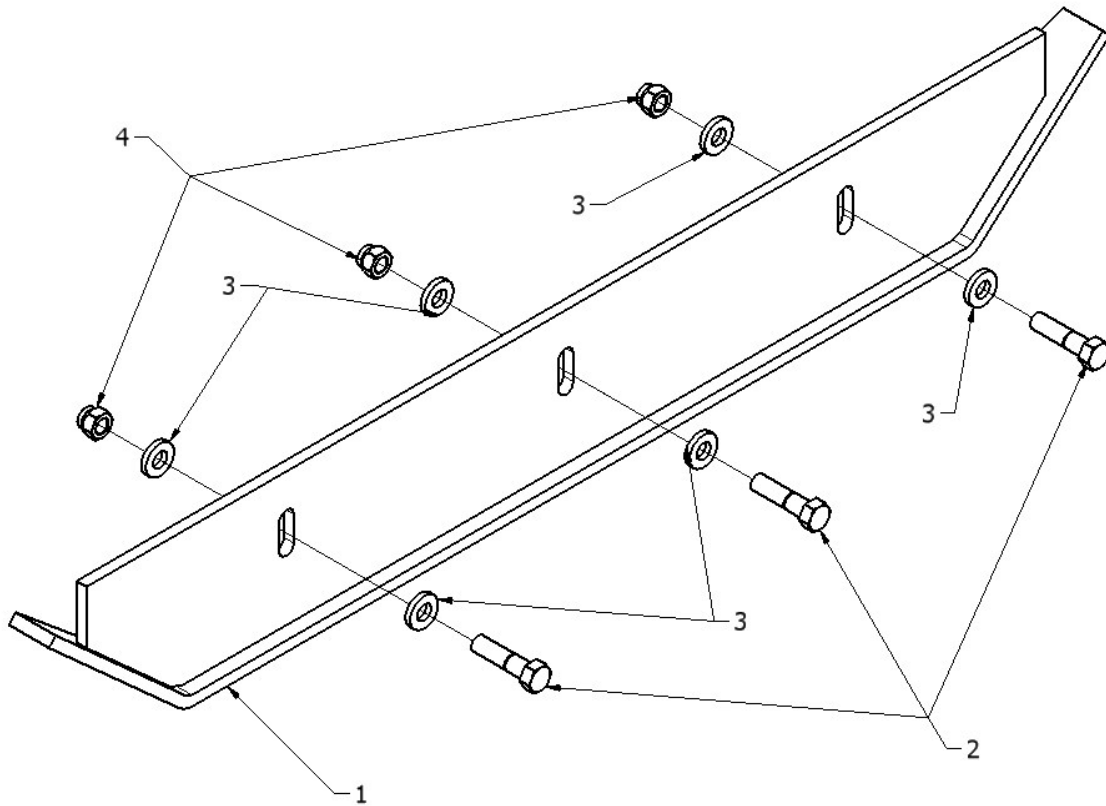
Ref. No.	Part No.	Description	Qty
1	2336	Nut	1
2	3659	Bolt	1

Center Skid Shoe Assembly



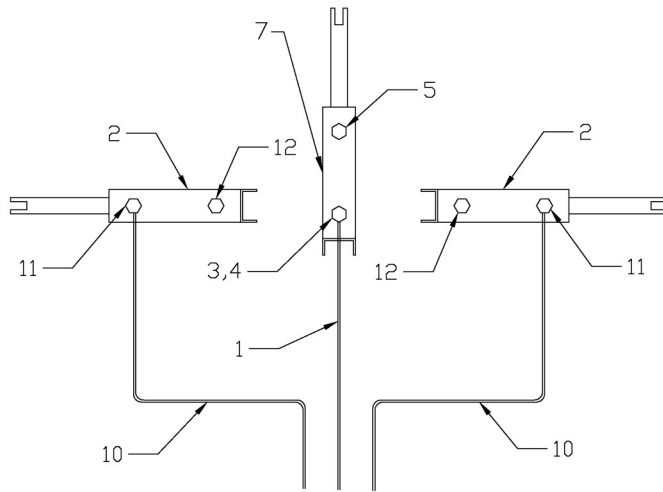
Ref. No.	Part No.	Description	Qty
1	3502	Skid Shoe	1
2	2335	Bolt	2
3	2337	Washer	2
4	2336	Nut	2

Wing Skid Shoe Assembly



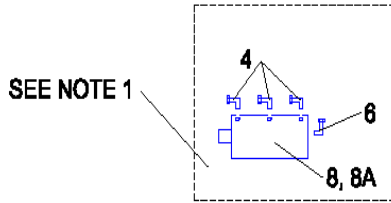
Ref. No.	Part No.	Description	Qty
1	5108	Wing Skid Shoe	1
2	2335	Bolt	3
3	2337	Washer	6
4	2336	Nut	3

Hydraulic Hose Plan



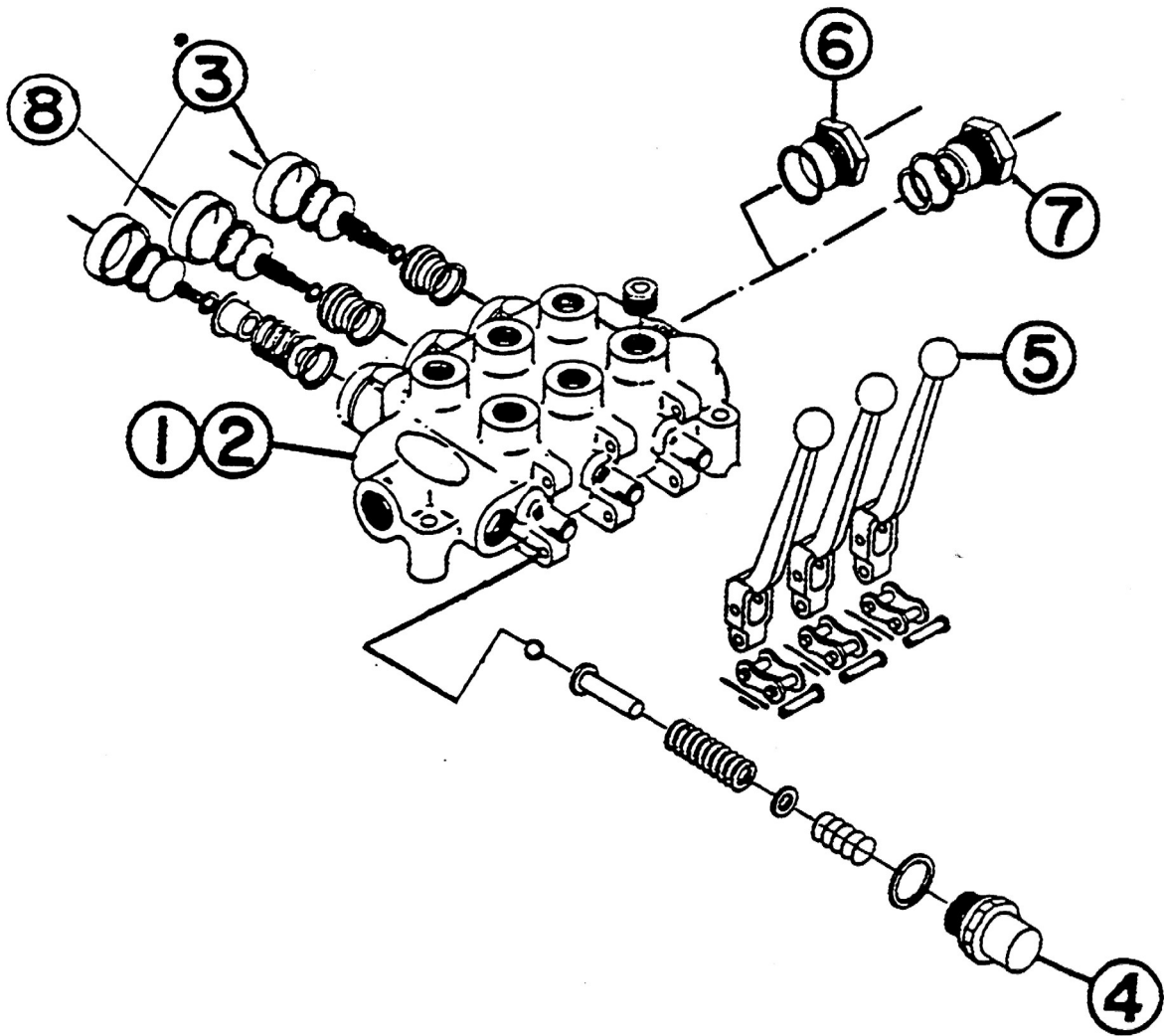
NOTE 1
USE THIS CONFIGURATION
WHEN THEY ARE 3 SEPARATE
REMOTES ON THE FENDER
MOUNTED VALVE.

NOTE 2
THE REPHASING KIT ITEM 9 IS
USED WHEN CHANGING FROM
THE REGULAR HYDRAULIC
SYSTEM (DIAGRAM) TO THE
HYDRAULIC SYSTEM WITH
REPHASING CYLINDERS.



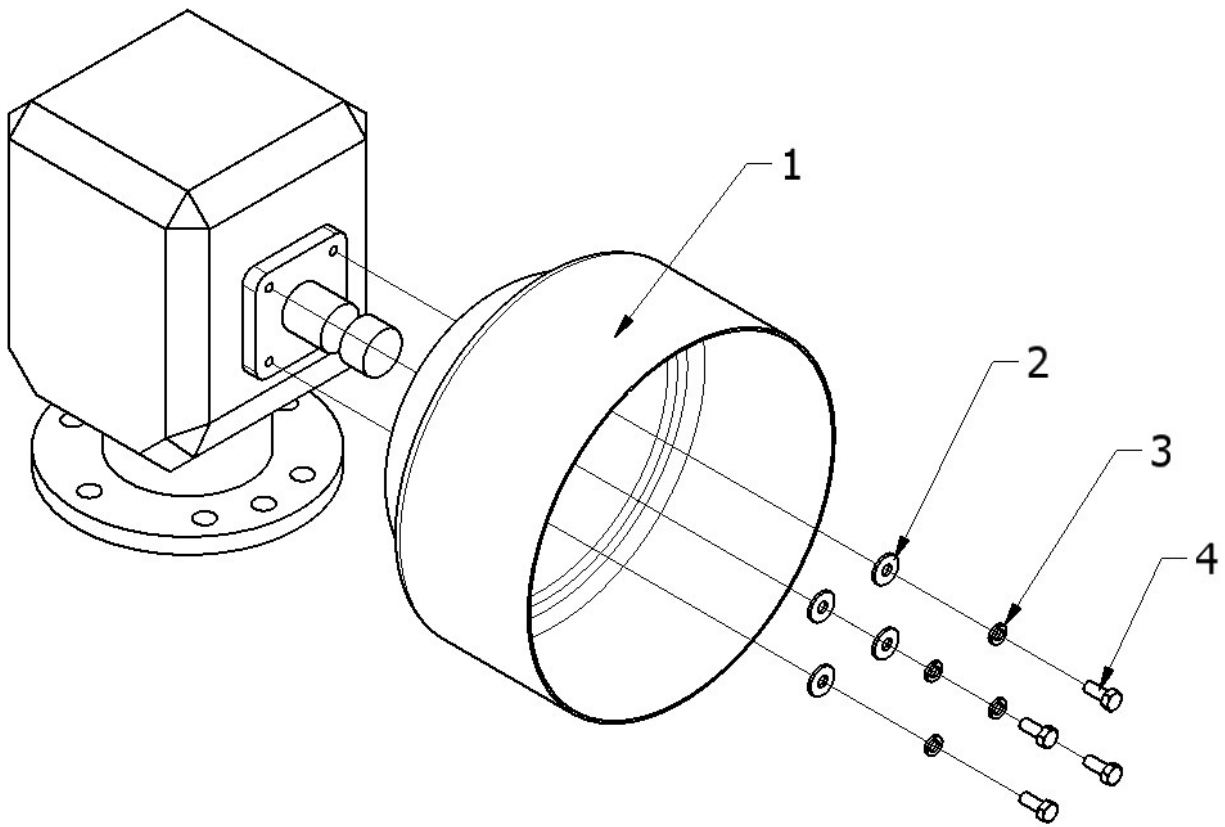
Ref. No.	Part No.	Description	Qty	Remarks
1	2344	Hose	1	
2	5555	Wing Cylinder	2	See details on page 27
3	2465	Restrictor	1	
4	2350	Fitting	4	
5	2466	Vent Plug	1	
6	2597	Fitting	1	See NOTE 1
7	5556	Center Cylinder	1	See details on page 24
8	3362	3-Spool Valve (Open Center)	1	See NOTE 1
8 A	3370	3-Spool Valve (Closed Center)	1	See NOTE 1
9 Not shown	5007	Rephasing Kit	1	
10	5570	Hose	2	
11	5571	Restrictor	2	
12	5572	Vent Plug	2	

3362 Hydraulic Valve



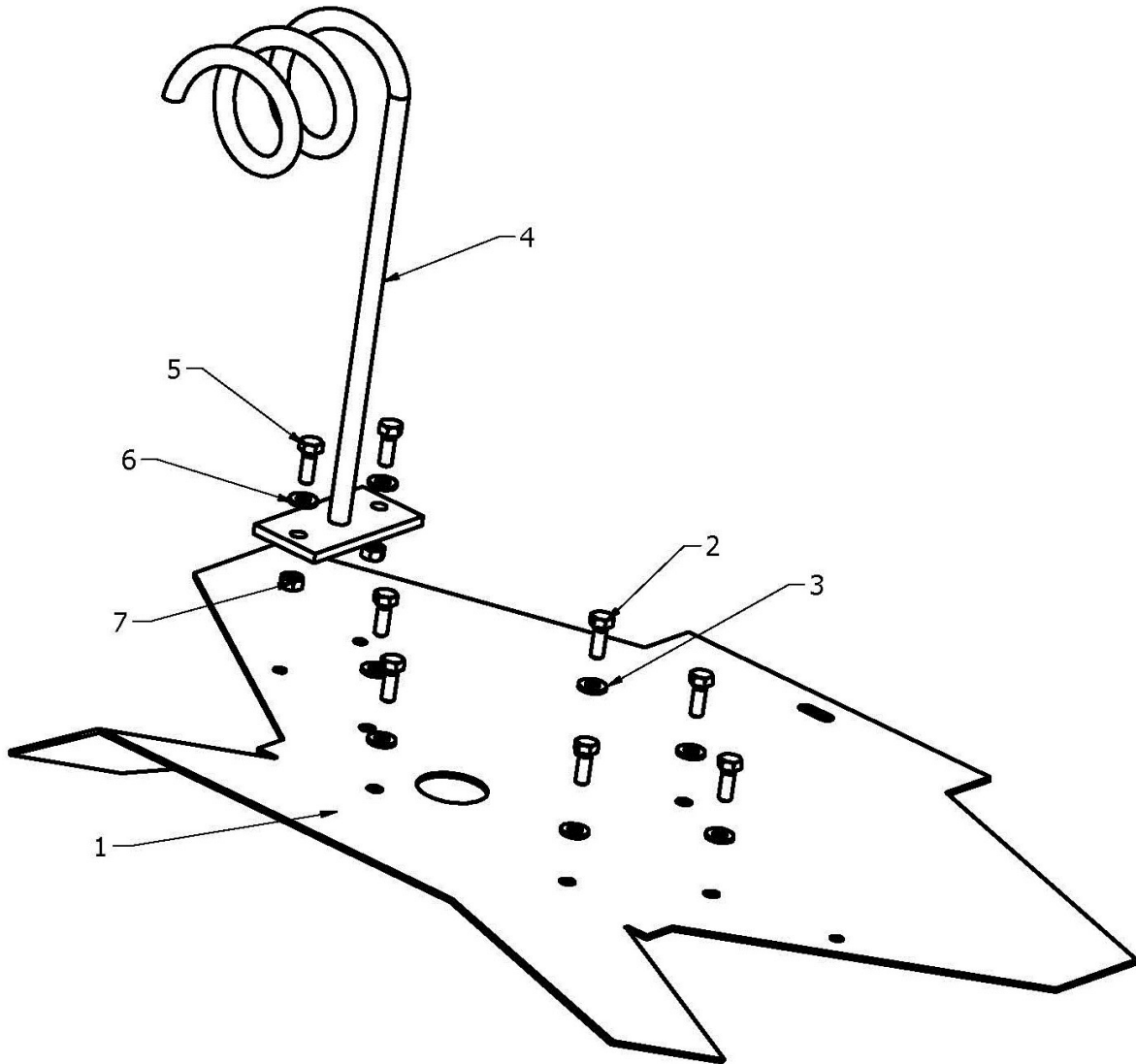
Ref. No.	Part No.	Description	Qty
1	3362	Open Center Valve	1
2	3370	Closed Center Valve	REF
3	3363	Detent Kit	2
4	3364	High Pressure Relief Valve Kit	1
5	3365	Handle Assembly	3
6	3366	Open Center Plug	1
7	3371	Closed Center Plug	REF
8	3367	Spring Repair Kit	1

Wing Gearbox Shield Assembly



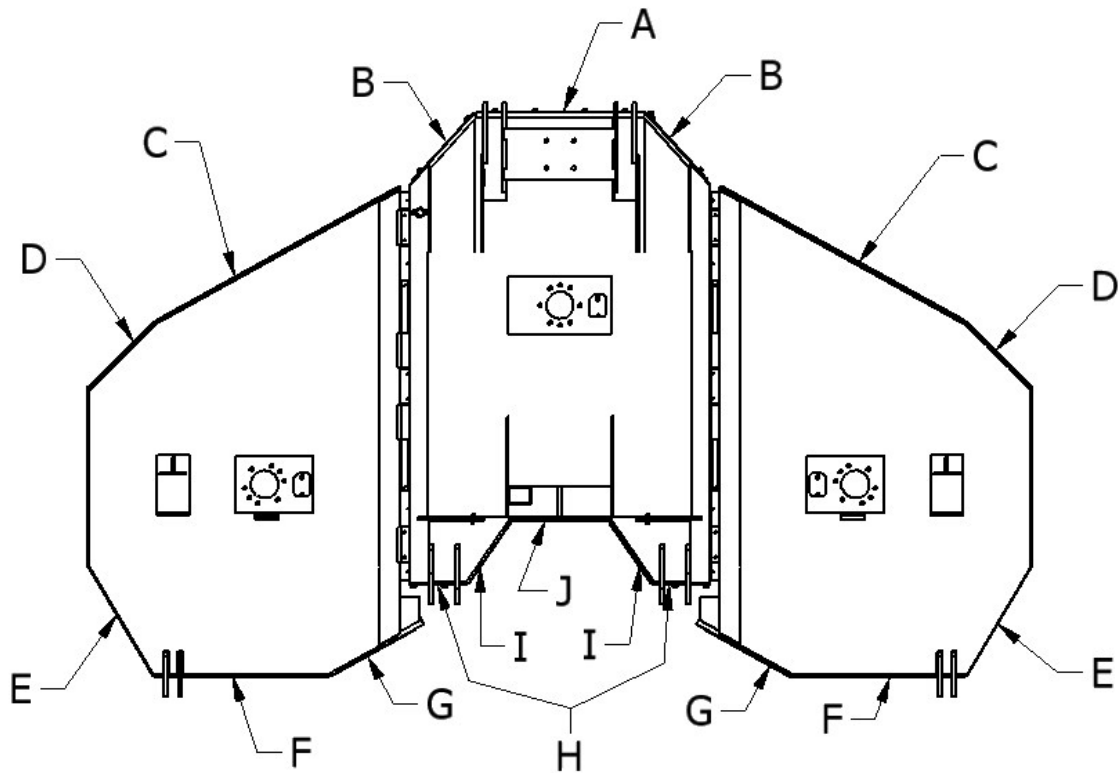
Ref. No.	Part No.	Description	Qty
1	5173	Shield Cover	1
2	5255	Washer	4
3	5244	Washer	4
4	2693	Bolt	4

Divider Gearbox Shield Assembly



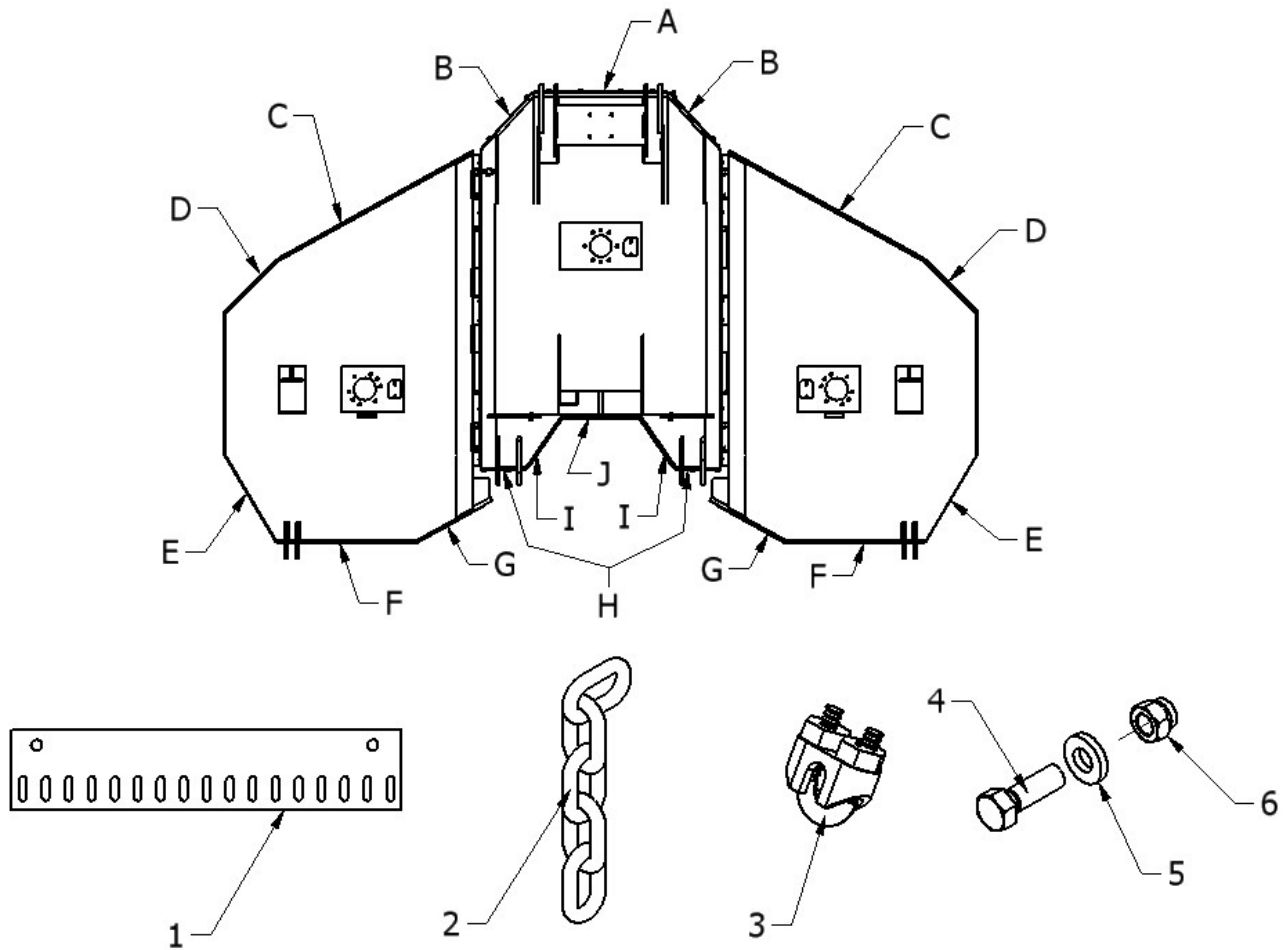
Ref. No.	Part No.	Description	Qty
1	5658	Shield Cover	1
2	5692	Nut	6
3	5243	Washer	6
4	3394	Hose Holder	1
5	2512	Bolt	2
6	3415	Washer	2
7	2513	Nut	2

Chain Guard Assembly



REF	SINGLE ROW		DOUBLE ROW	
	LEFT	RIGHT	LEFT	RIGHT
A	5181		5182	
B	5183L	5183R	5184L	5184R
C	5185L	5185R	5186L	5186R
D	5187L	5187R	5188L	5188R
E	5189L	5189R	5190L	5190R
F	5191L	5191R	5192L	5192R
G	5193L	5193R	5194L	5194R
H	5195L	5195R	5196L	5196R
I	5197L	5197R	5198L	5198R
J	5199		5200	

Chain Guard Assembly Components

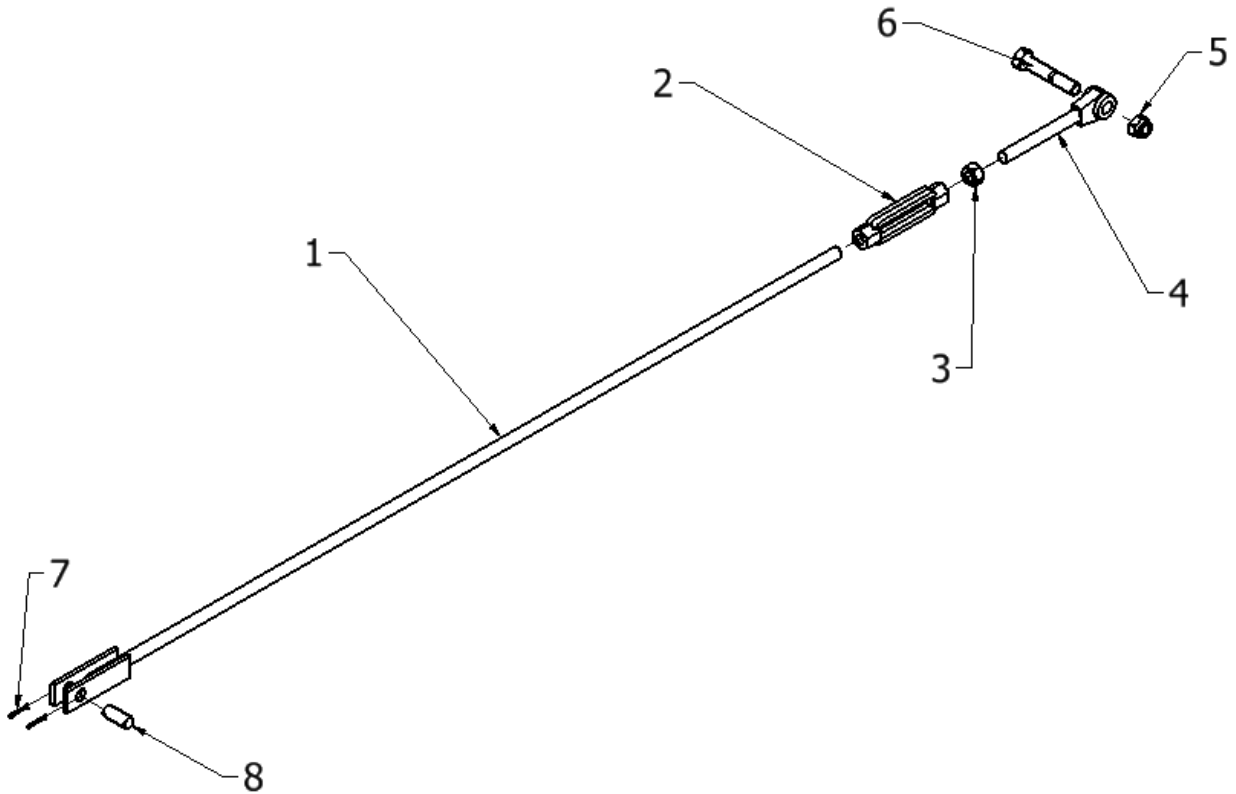


Ref. No.	Part No.	Description
1	-	CHAIN GUARD PLATE
2	3583	CHAIN—SINGLE ROW
Not Shown	3588	CHAIN—DOUBLE ROW
3	3585	CLAMP
4	2335	BOLT
5	2337	WASHER
6	2336	NUT
Not Shown	-	CABLE

Chain Guard Assembly Components

Ref.	PART NUMBERS		QUANTITIES				
	PLATE	CABLE	CHAIN	CLAMP	BOLT	WASHER	NUT
A	5111	5154	29	2	4	4	4
B	5110	5153	14	2	2	2	2
C	5115	5158	46	2	5	5	5
D	5116	5159	14	2	2	2	2
E	5117	5160	20	2	2	2	2
F	5118	5161	29	2	4	4	4
G	5119	5162	17	2	2	2	2
H	5112	5155	9	2	2	2	2
I	5113	5156	13	2	2	2	2
J	5114	5157	15	2	3	3	3

5850 Complete Level Rod Assembly

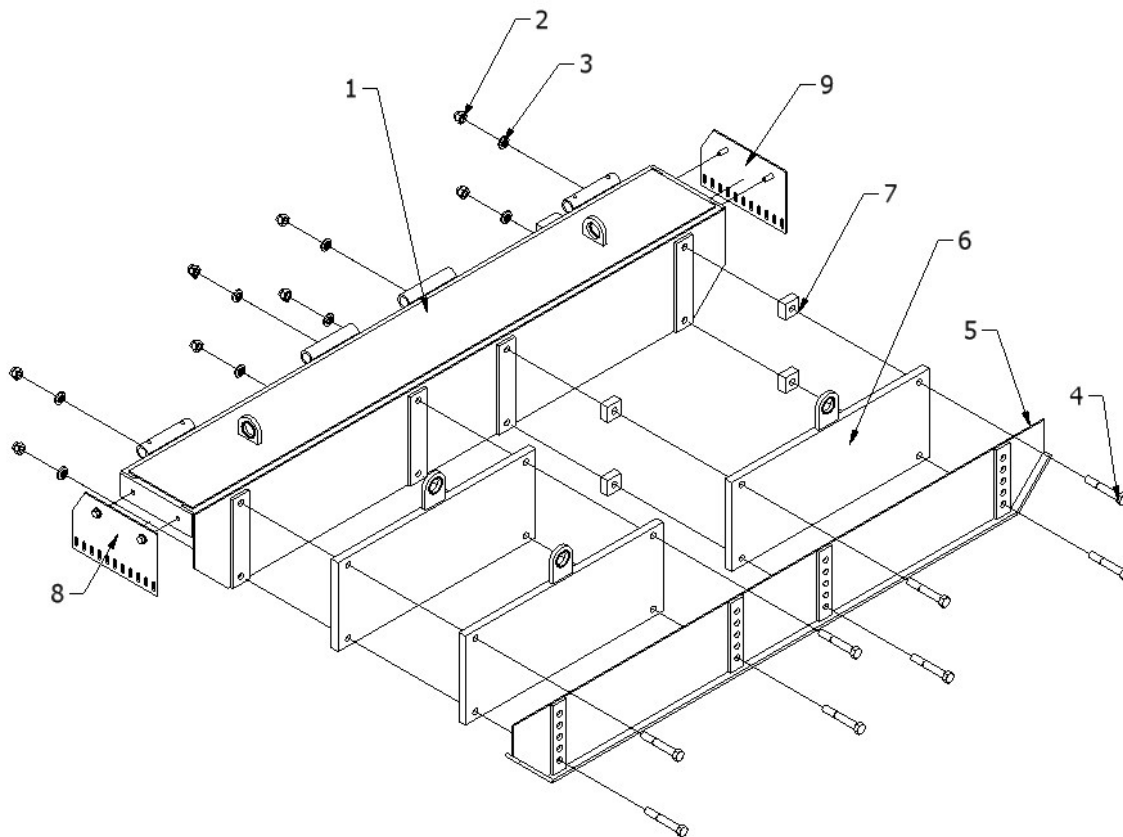


Ref. No.	Part No.	Description	Qty
1	5107	Front Level Rod	1
2	2321	Turnbuckle	1
3	5381	Nut	1
4	2320	Rear Level Rod	1
5	2638	Nut	1
6	3389	Bolt	1
7	2313	Cotter Pin	2
8	2315	Pin	1

NOTE: P/N 5850 IS MADE FROM ITEMS 1, 2, 3, 4.

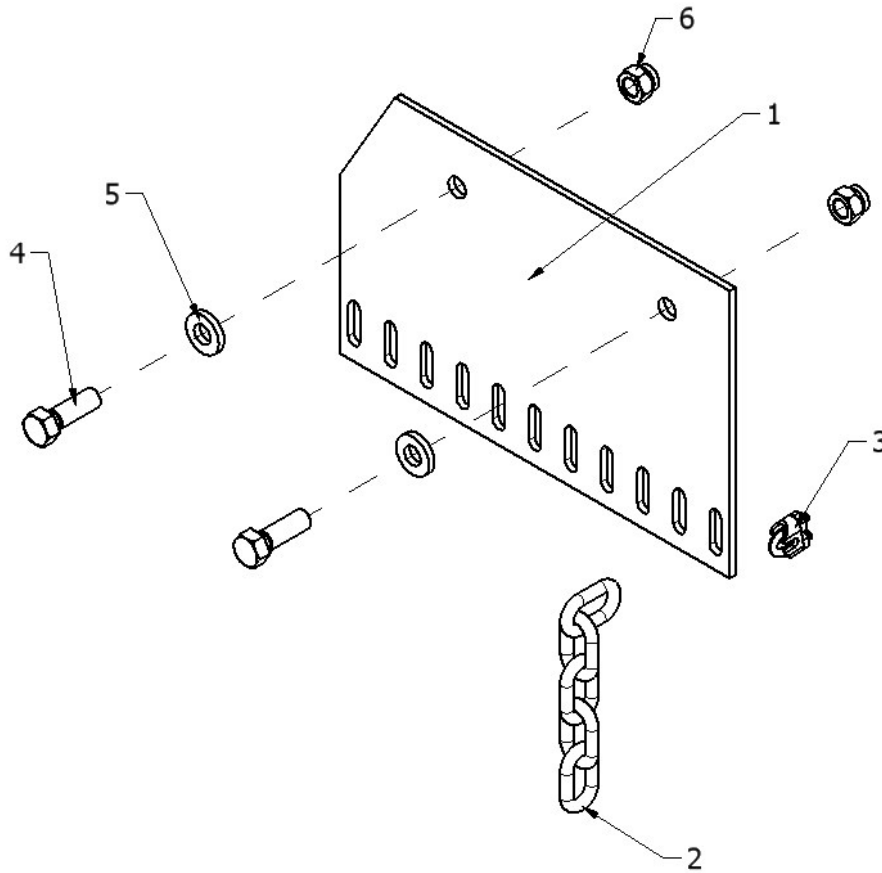
Optional
Equipment
and
Other Items
not Illustrated

ST-120 ELITE Counter Weight Assembly



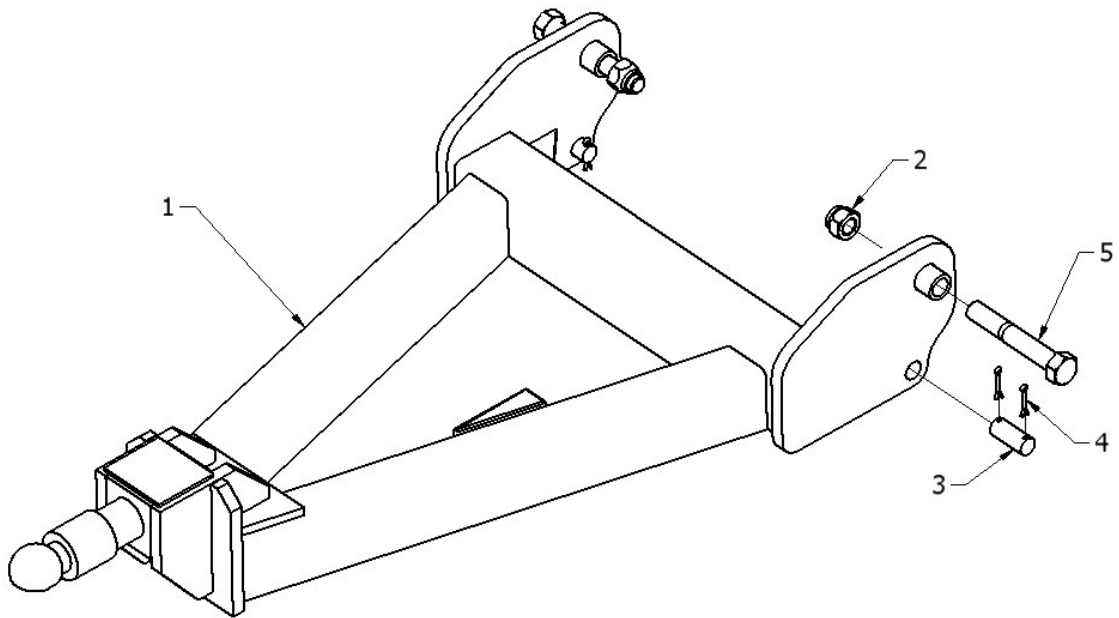
Ref. No.	Part No.	Description	Qty	Remarks
1	5179	Counter Weight Frame	1	
2	2077	Nut	8	
3	3285	Washer	8	
4	2076	Bolt	8	
5	5180	Skid Shoe	1	
6	3235	100 LB. Weight	3	
Not Shown	3236	75 LB. Weight	AR	
Not Shown	3237	50 LB. Weight	AR	
Not Shown	3238	25 LB. Weight	AR	
7	3239	Spacer for 100 LB. Weight	4	
Not Shown	3240	Spacer for 75 LB. Weight	AR	
Not Shown	3241	Spacer for 50 LB. Weight	AR	
Not Shown	3242	Spacer for 25 LB. Weight	AR	
8	5202	Chain Guard Assembly, Single Row	1	Assembly details on page 45
8	5203	Chain Guard Assembly, Double Row	1	Assembly details on page 45
9	5204	Chain Guard Assembly, Single Row	1	Assembly details on page 45
9	5205	Chain Guard Assembly, Double Row	1	Assembly details on page 45

Counter Weight Chain Guard Assembly, PN: 5202-5205



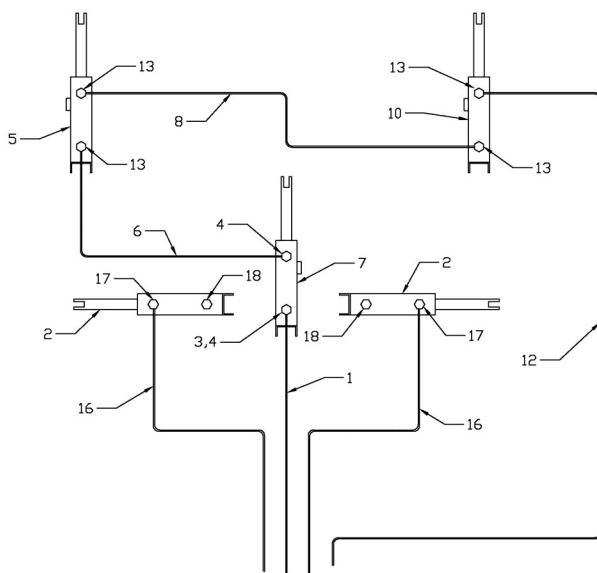
Ref. No.	Part No.	Description	Qty
1	5201	Chain Guard Plate	1
2	3583	Chain Link for Single Curtain	11
Not Shown	3588	Chain Link for Double Curtain	11
3	3585	Clamp	2
4	5163	Bolt	2
5	2337	Washer	2
6	2336	Nut	2
8	5206	Cable	1

Tongue with Bulldog Hitch



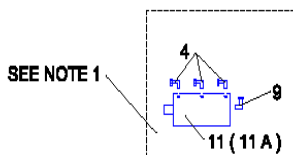
Ref. No.	Part No.	Description	Qty
1	5685	Tongue Only with Bulldog Hitch	1
2	2638	Nut	2
3	2315	Level Rod Pin	2
4	2313	Cotter Pin	4
5	2624	Bolt	2

Hydraulic Hose Plan for Rephasing Cylinder System



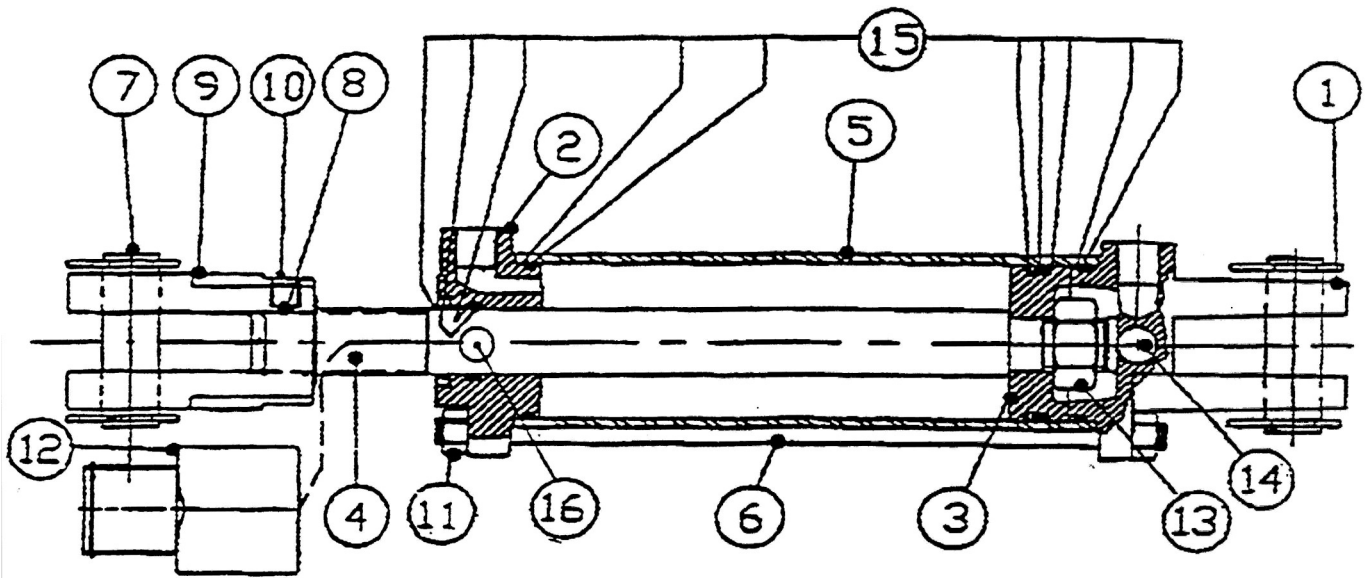
NOTE 1
USE THIS CONFIGURATION
WHEN THEY ARE 3 SEPARATE
REMOTES ON THE FENDER
MOUNTED VALVE.

NOTE 2
THE REPHASING KIT ITEM 15 IS
USED WHEN CHANGING FROM
THE REGULAR HYDRAULIC
SYSTEM (DIAGRAM) TO THE
HYDRAULIC SYSTEM WITH RE-
PHASING CYLINDERS.



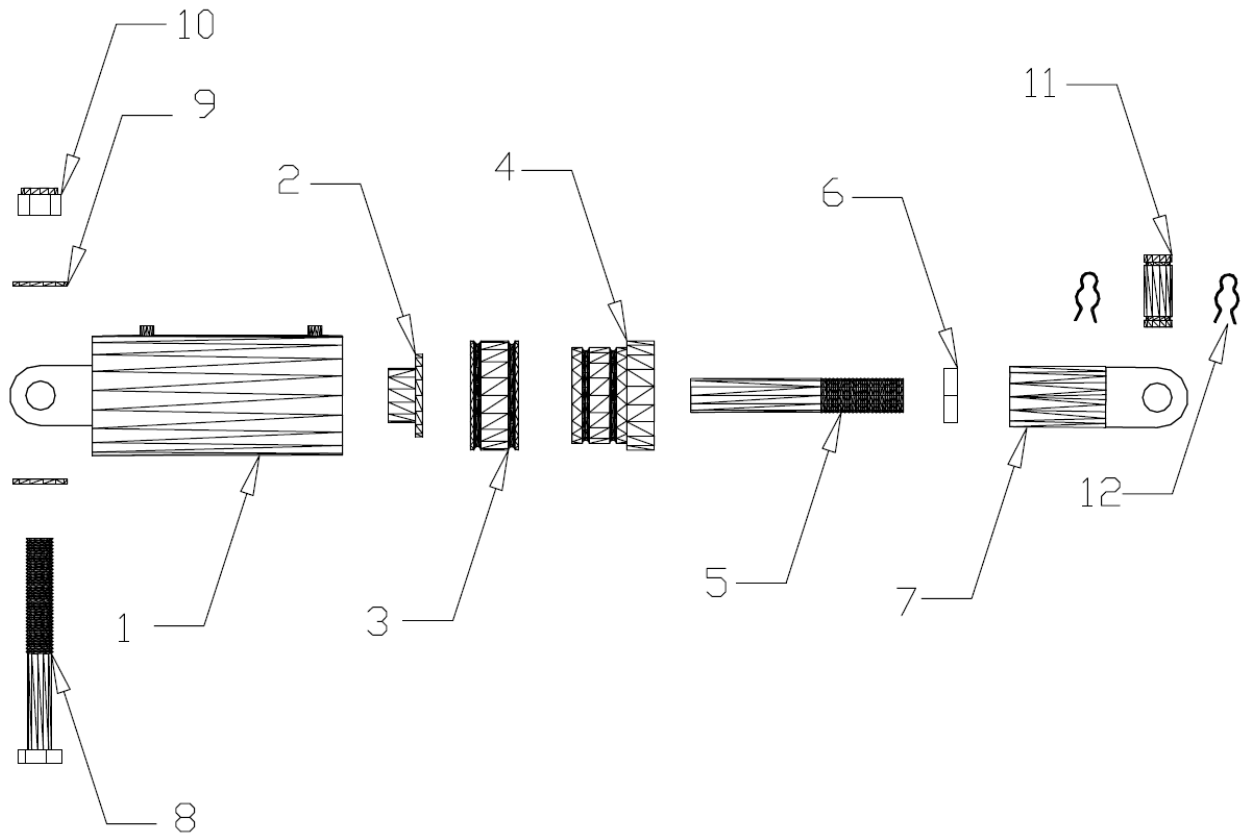
Ref. No.	Part No.	Description	Qty	Remarks
1	2344	Hose	1	
2	5555	Wing Cylinder	2	See details on page 27
3	2465	Restrictor	1	
4	2350	Fitting	4	
5	3673	Right Wing Rephasing Cylinder	1	See detail on page 46
6	3724	Hose	1	
7	2943	Center Rephasing Cylinder	1	See detail on page 45
8	3725	Hose	1	
9	2597	Fitting	1	See NOTE 1
10	3667	Left Wing Rephasing Cylinder	1	See detail on page 47
11	3362	3-Spool Valve (Open Center)	1	See NOTE 1
11 A	3370	3-Spool Valve (Closed Center)	REF	Optional
12	2598	Hose	1	
13	5006	Fitting	4	
15	5007	Rephasing Kit	1	See NOTE 2
16	5570	Hose	2	
17	5571	Restrictor	2	
18	5572	Vent Plug	2	

2943 Center Lift Cylinder for Rephasing System



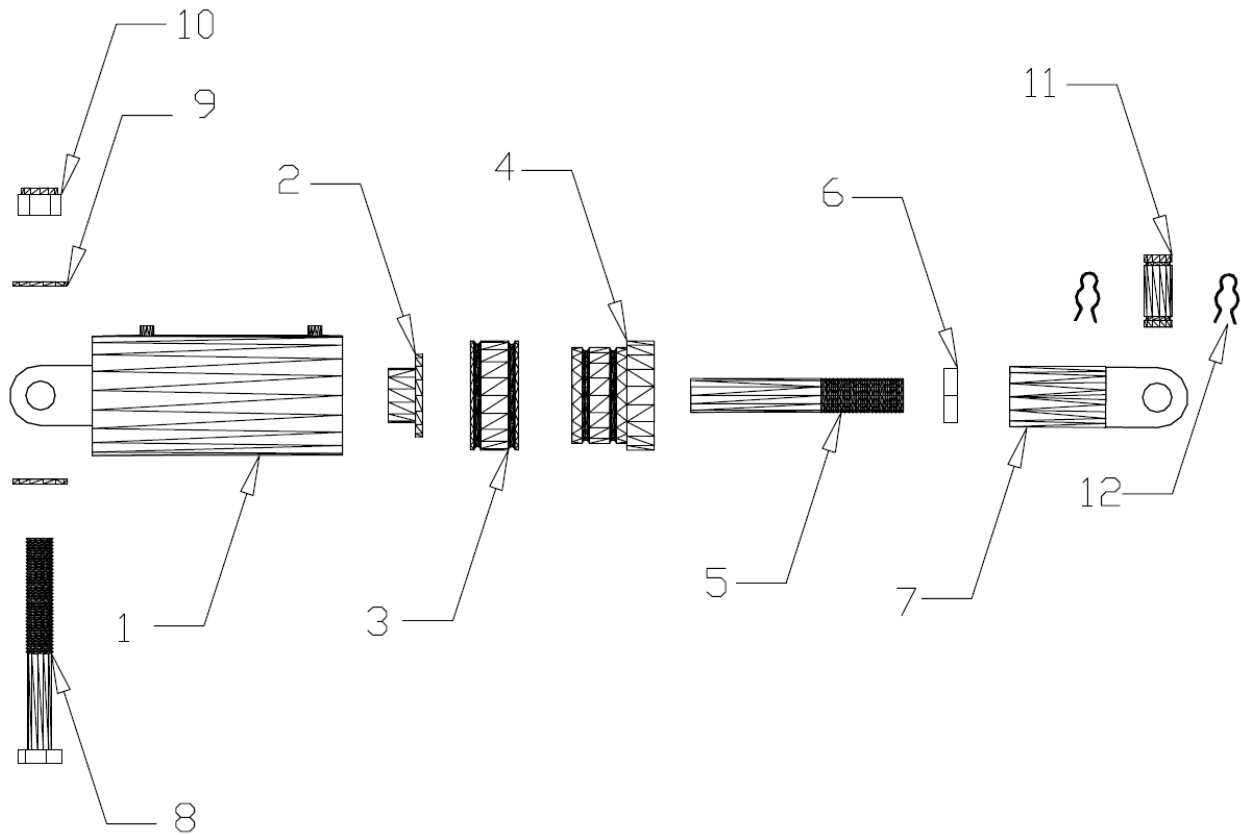
Ref. No.	Part No.	Description	Qty
1	2650	Clevis Cap	1
2	2651	Rod Cap	1
3	2944	Piston	1
4	3219	Rod	1
5	2945	Tube	1
6	2655	Tie Rod	4
7	2330	Pin	2
8	2656	Third Lock	1
9	2657	Rod Clevis	1
10	2658	Set Screw	1
11	2659	Nut	8
12	2374	Stroke Control Kit	1
13	2660	Piston Nut	1
14	2466	Vent Plug	1
15	2946	Seal Kit	1
16	2465	Restrictor	1

3673 Right Wing Rephasing Cylinder



Ref. No.	Part No.	Description	Qty
1	3674	Barrel	1
2	3480	Rod Nut	1
3	3675	Piston	1
4	3676	Gland	1
5	3671	Rod	1
6	3484	Jam Nut	1
7	3672	Clevis	1
8	2627	Bolt	1
9	3449	Washer	1
10	2638	Nut	1
11	2354	Pin	1
12	3270	Clip Pin	2
Not Shown	3857	Seal Kit	1

3667 Left Wing Rephasing Cylinder



Ref. No.	Part No.	Description	Qty
1	3668	Barrel	1
2	3480	Rod Nut	1
3	3669	Piston	1
4	3670	Gland	1
5	3671	Rod	1
6	3484	Jam Nut	1
7	3672	Clevis	1
8	2627	Bolt	1
9	3449	Washer	1
10	2638	Nut	1
11	2354	Pin	1
12	3270	Clip Pin	2
Not Shown	3856	Seal Kit	1

Items not Illustrated

Part No.	Description	Qty
2484	Standard Solid Rubber Tire and Wheel	4
2489	Rim for 2490 Tire	REF
2490	26" Standard Aircraft Type Tire and Wheel	REF
2564	28" Optional Aircraft Type Tire and Wheel	REF
2565	Rim for 2564 Tire	REF
2622	Foam Filled Implement Tires and Wheel	REF
3275	26" Aircraft Tire Only	REF
3276	Tube for 26" Aircraft Tire	REF
3277	28" Aircraft Tire Only	REF
3278	Tube for 28" Aircraft Tire	REF
3516	Foam Filled Aircraft Tire and Wheel	REF

Notes